

Food & Beverage Catalogue Stainless Steel - Filter Housings Ver 5.1





Introduction

Sartorius Stedim Biotech F&B filter housings were developed for sanitary beverage filtration applications, including:

- Beer
- Wine & spirits
- Mineral | Bottled water
- Carbonated Soft drinks
- Non-carbonated Soft drinks

Thanks to their optimized design, our F&B housings are exceptionally easy to clean for thorough results and can be in-line steam sterilized as a complete unit, incl. gaskets.

Our housings have been designed in accordance with the European Pressure Equipment Directive PED 2014/68/EU - rule EN13445.

The complete series of 810 and 813 housings are available in sizes ranging from 1 to 30 cartridges and heights from 10" to 40".

The cartridge socket adapter is available in code 25 (code 7) and code 28 (810 liquid & 813 liquid).

Sartorius Stedim Biotech F&B housings can be equipped with a wide range of Inlet and Outlet connections such as DIN11851 and sanitary Clamp. Other connections are available upon request. Vent and drain options are also available in multiple designs and configurations.

Gaskets are offered in various material types depending on the application. As standard, we use FDA, USP Class VI, EC 1935/2004 article 3 - & Phthalate-free compliant Silicone & EPDM elastomers.

Certification is according to PED 2014/68/EU. Additional certificates like Ra roughness or material certificates (MTR's) are available upon request.

Only 316L grade stainless steel is used for all wetted surfaces to provide maximum durability and resistance to corrosion.





Contents Directory

Introduction	2
Description	3
Contents Directory	4

Type 810 (10 bar Version)

Standard Liquid Housing T-Type - Series VHP	
1-round - incl. Spare Parts	6 - 9
3-round - incl. Spare Parts	10 - 13
5-round - incl. Spare Parts	14 - 17
8-round - incl. Spare Parts	18 - 21
12-round - incl. Spare Parts	22 - 25
18-round - incl. Spare Parts	26 - 29
24-round - incl. Spare Parts	30 - 34
30-round - incl. Spare Parts	35 - 38
36-round - incl. Spare Parts	39 - 40

Type 810 Fluid group 1 (dangerous)

Standard Liquid Housing T-Type - Series SH	
1-round - incl. Spare Parts	41 - 45
3-round - incl. Spare Parts	46 - 49
5-round - incl. Spare Parts	50 - 53
8-round - incl. Spare Parts	54 - 57
12-round - incl. Spare Parts	58 - 61
18-round - incl. Spare Parts	62 - 65
24-round - incl. Spare Parts	66 - 69
30-round - incl. Spare Parts	70 - 73

Standard Liquid Housing In-Line - Series ALN	
1-round	74 - 75
Standard 1-round Gas Housing - Series KMC	76
1-round	77 - 80

Type 805 (5 bar Version)	81
Standard Multi-round Gas Housing - Series AIR	82 - 84
3- 5- 8-round	

Type 808 (8 bar Version)	85
Industrial - 1-round - liquid housing - Series FI	86 - 87

Type 800 (Pressureless)	88
Vent Housings - Series VSN	
1- 3- 5- 8-round	89 - 91
Jumbo 1-round (Sartorius)	92

Accessories	93 - 95
--------------------	---------

Type 813 (13 bar Version)	96
Standard Liquid Housing T-Type - Series SA	
1-round - incl. Spare Parts	97 - 99
3-round - incl. Spare Parts	100 - 102
5-round - incl. Spare Parts	103 - 105
8-round - incl. Spare Parts	106 - 108
12-round - incl. Spare Parts	109 - 111
18-round - incl. Spare Parts	112 - 114
24-round - incl. Spare Parts	115 - 117
30-round - incl. Spare Parts	118 - 120
36-round - incl. Spare Parts	121 - 123
Jumbo Housing	124
1-round	125 - 126
3-round	127 - 128

Type 292 (8 bar Version)	129
Sartoclear Housing - Series FZ	
(12"-Module)	130 - 131
(16"-Module)	132 - 133
(Spare Parts)	134
Accessories	135 - 153





Overview of housing types

Type 800 - Vent Housings - pressureless

Cartridge number: 01 | 03 | 05 | 08



Type 805 - Gas Housings (Multi-round) - 5bar

Cartridge number: 03 | 05 | 08



Type 810 - Gas Housing* | Liquid Housings - 10 bar

Cartridge number: 01 | 03 | 05 | 08



*Gas Housings 10 bar only available in 1-round

Type 813 13 bar Version

Working pressure: max.13 bar | 189 psi
Temperature: max. 40°C | 104°F

Working pressure: max.4 bar | 58 psi
Temperature: max. 150°C | 302°F

Cartridge adapter 25 | Code 7

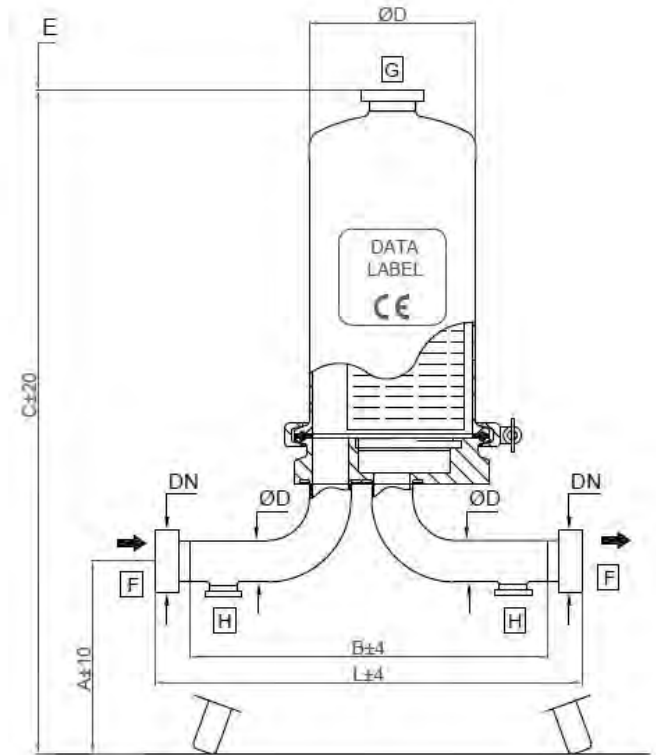
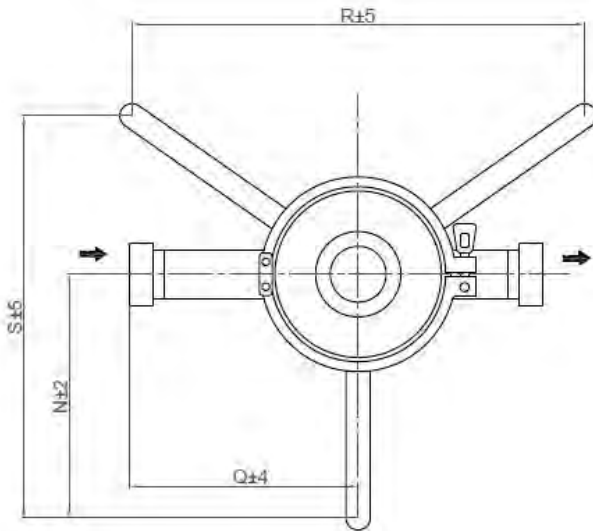
Internal surface roughness: Ra<0.8µm | 32µin
External surface roughness Ra<1.6µm | 64 µin
Mechanically polished








Type 810 (10 bar Version)






AVT[®] FILTER HOUSING

PART NUMBER	
MODEL	"Q"
TYPE	
CARTRIDGE NO. x HIGH (inch)	"N"
CATEGORY	2014/68/EU
VOLUME LITRES (V)	
PRESSURE(PS) min-max at TS=-20 / 40°C	bar -1 ÷ 10 
PRESSURE(PS) min-max at TS=150°C	bar -1 ÷ 4 
TEST PRESSURE(PT)	bar 20
DESIGN TEMPERATURE (TS) min-max	-20 ÷ 150°C
FLUID GROUP (2014/68/EU)	2
VESSEL MATERIAL	316L / 1.4404
YEAR OF MANUFACTURE	
VESSEL NUMBER	
ATEX CLASSIFICATION	II 2 GD IIC
ATEX CERTIFICATION	04.01 EX.02-X

 SEE USER MANUAL FOR MAX WORKING PRESSURE WITH NOT DANGEROUS GAS IN ACCORDANCE WITH 2014/68/EU

CE XXXX 

Fluid group 1 (dangerous) on request
article no., price & delivery time can be different.

DIMENSIONAL DATA							
CARTRIDGE x HEIGHT (N)	R mm	S mm	N mm	C mm	E mm	VOLUME liters (V)	PED Category
01 x 10"	360	312	208	790	300	3.0	4.3
01 x 20"	360	312	208	1040	550	4.8	4.3
01 x 30"	360	312	208	1290	800	6.8	I
01 x 40"	360	312	208	1540	1050	8.6	I

CLAMP						
	WITHOUT DRAIN			WITH DRAIN		
Dimension [mm]	A	L	Q	A	L	Q
1.0" (25.4mm x 1.65mm)	381	188	103	381	269	154

DIN 11851 MALE PART						
	WITHOUT DRAIN			WITH DRAIN		
Dimension [mm]	A	L	Q	A	L	Q
DN25	381	220	118	381	300	169

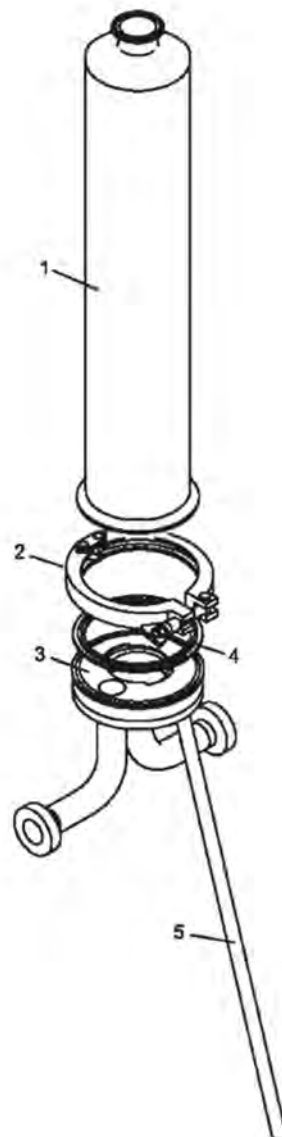
BUTT WELD ASME BPE						
	WITHOUT DRAIN			WITH DRAIN		
Dimension [mm]	A	B	Q	A	B	Q
1.0" (25.4mm x 1.65mm)	381	163	90	381	244	141

PACKAGING SIZE AND WEIGHT				
CARTRIDGE x HEIGHT (N)	BOWL WEIGHT [kg]	TOTAL NET WEIGHT [kg]	PACKAGING SIZE [cm]	TOTAL WEIGHT PACKED [kg]
01 x 10"	2.0	7.0	65x27x17	8.0
01 x 20"	3.3	8.2	87x27x17	9.5
01 x 30"	4.6	9.4	112x27x17	11.0
01 x 40"	5.9	10.6	137x27x17	13.0

ORDER CODE AND TECHNICAL EQUIPMENT							
Order-no.	No. of Cartridges	Bowl Height	Connection	Nominal Diameter	Gasket	With Vent TC 1.5"	With Drain TC 1.0"
810011GXXAGG025L	01	10"	DIN 11851 Male Part	DN 25	Silicone	x	x
810011HXXAGG025L	01	10"	DIN 11851 Male Part	DN 25	EPDM	x	x
810011GXXEGG025L	01	10"	DIN 11851 Male Part	DN 25	Silicone	x	-
810011HXXEGG025L	01	10"	DIN 11851 Male Part	DN 25	EPDM	X	-
810011GXXATT010L	01	10"	TC	1"	Silicone	x	x
810011HXXATT010L	01	10"	TC	1"	EPDM	x	x
810011GXXETT010L	01	10"	TC	1"	Silicone	x	-
810011HXXETT010L	01	10"	TC	1"	EPDM	x	-
810011GXXASS010L	01	10"	Welding Stubs	25.4 x 1.65	Silicone	x	x
810011HXXASS010L	01	10"	Welding Stubs	25.4 x 1.65	EPDM	x	x
810011GXXESS010L	01	10"	Welding Stubs	25.4 x 1.65	Silicone	x	-
810011HXXESS010L	01	10"	Welding Stubs	25.4 x 1.65	EPDM	x	-
810012GXXAGG025L	01	20"	DIN 11851 Male Part	DN 25	Silicone	x	x
810012HXXAGG025L	01	20"	DIN 11851 Male Part	DN 25	EPDM	x	x
810012GXXEGG025L	01	20"	DIN 11851 Male Part	DN 25	Silicone	x	-
810012HXXEGG025L	01	20"	DIN 11851 Male Part	DN 25	EPDM	x	-
810012GXXATT010L	01	20"	TC	1"	Silicone	x	x
810012HXXATT010L	01	20"	TC	1"	EPDM	x	x
810012GXXETT010L	01	20"	TC	1"	Silicone	x	-
810012HXXETT010L	01	20"	TC	1"	EPDM	x	-
810012GXXASS010L	01	20"	Welding Stubs	25.4 x 1.65	Silicone	x	x
810012HXXASS010L	01	20"	Welding Stubs	25.4 x 1.65	EPDM	x	x
810012GXXESS010L	01	20"	Welding Stubs	25.4 x 1.65	Silicone	x	-
810012HXXESS010L	01	20"	Welding Stubs	25.4 x 1.65	EPDM	x	-
810013GXXAGG025L	01	30"	DIN 11851 Male Part	DN 25	Silicone	x	x
810013HXXAGG025L	01	30"	DIN 11851 Male Part	DN 25	EPDM	x	x
810013GXXEGG025L	01	30"	DIN 11851 Male Part	DN 25	Silicone	x	-
810013HXXEGG025L	01	30"	DIN 11851 Male Part	DN 25	EPDM	x	-
810013GXXATT010L	01	30"	TC	1"	Silicone	x	x
810013HXXATT010L	01	30"	TC	1"	EPDM	x	x
810013GXXETT010L	01	30"	TC	1"	Silicone	x	-
810013HXXETT010L	01	30"	TC	1"	EPDM	x	-
810013GXXASS010L	01	30"	Welding Stubs	25.4 x 1.65	Silicone	x	x
810013HXXASS010L	01	30"	Welding Stubs	25.4 x 1.65	EPDM	x	x
810013GXXESS010L	01	30"	Welding Stubs	25.4 x 1.65	Silicone	x	-
810013HXXESS010L	01	30"	Welding Stubs	25.4 x 1.65	EPDM	x	-
810014GXXAGG025L	01	40"	DIN 11851 Male Part	DN 25	Silicone	x	x
810014HXXAGG025L	01	40"	DIN 11851 Male Part	DN 25	EPDM	x	x
810014GXXEGG025L	01	40"	DIN 11851 Male Part	DN 25	Silicone	x	-
810014HXXEGG025L	01	40"	DIN 11851 Male Part	DN 25	EPDM	x	-
810014GXXATT010L	01	40"	TC	1"	Silicone	x	x
810014HXXATT010L	01	40"	TC	1"	EPDM	x	x
810014GXXETT010L	01	40"	TC	1"	Silicone	x	-
810014HXXETT010L	01	40"	TC	1"	EPDM	x	-
810014GXXASS010L	01	40"	Welding Stubs	25.4 x 1.65	Silicone	x	x
810014HXXASS010L	01	40"	Welding Stubs	25.4 x 1.65	EPDM	x	x
810014GXXESS010L	01	40"	Welding Stubs	25.4 x 1.65	Silicone	x	-
810014HXXESS010L	01	40"	Welding Stubs	25.4 x 1.65	EPDM	x	-

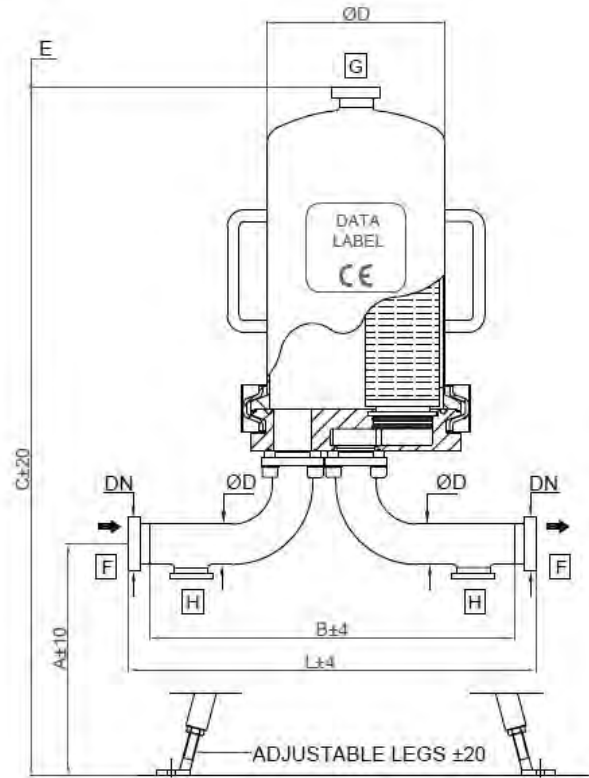
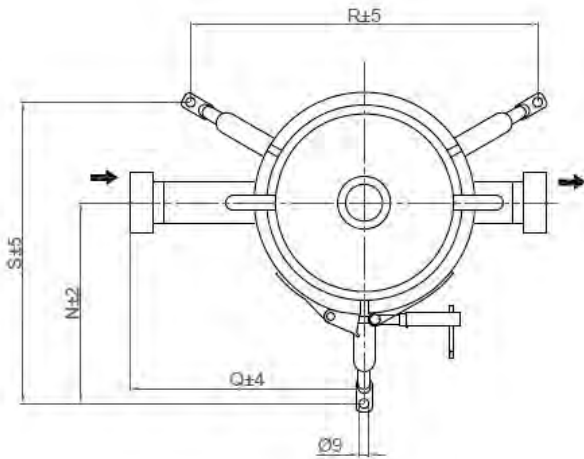
XX = 25 (Adapter 25 / code 7)
 XX = 28 (Sartorius Adapter 28 tripple Bayonet)

SPARE PARTS				
POS.	DESCRIPTION	MATERIAL	PART NO.	Q.TY
1	HOUSING BOWL	AISI 316L	-	1
2	CLAMP 4"	AISI 304	8ZSLA-0002	1
3a	CLAMP	AISI 316L	-	1
3	CARTRIDGES PLATE + BENDS	AISI 316L	-	1
4	GASKET CLAMP 4"	SILICONE	8ZDSC-0001	1
	GASKET CLAMP 4"	EPDM	8ZDEC-0001	1
5	LEG	AISI 304	-	3



FILTER SERIES 810 - 03-ROUND LIQUID HOUSING


HOUSING STYLE - T-TYPE - Series VHP



AVT® FILTER HOUSING

PART NUMBER	
MODEL	"Q"
TYPE	
CARTRIDGE NO. x HIGH (inch)	"N"
CATEGORY 2014/68/EU	
VOLUME LITRES (V)	
PRESSURE(PS) min-max at TS=-20 / 40°C bar	-1 + 10 Δ
PRESSURE(PS) min-max at TS=150°C bar	-1 + 4 Δ
TEST PRESSURE(PT) bar	20
DESIGN TEMPERATURE (TS) min-max	-20 + 150°C
FLUID GROUP (2014/68/EU)	2
VESSEL MATERIAL	316L / 1.4404
YEAR OF MANUFACTURE	
VESSEL NUMBER	
ATEX CLASSIFICATION	II 2 GD IIC
ATEX CERTIFICATION	04.01 EX.02-X

Δ SEE USER MANUAL FOR MAX WORKING PRESSURE WITH NOT DANGEROUS GAS IN ACCORDANCE WITH 2014/68/EU

CE XXXX 

Fluid group 1 (dangerous) on request article no., price & delivery time can be different.

DIMENSIONAL DATA							
CARTRIDGE x HEIGHT (N)	R mm	S mm	N mm	C mm	E mm	VOLUME liters (V)	PED Category
03 x 10"	357	310	206	816	290	7.3	I
03 x 20"	357	310	206	1065	540	12.6	I
03 x 30"	357	310	206	1314	790	17.8	I
03 x 40"	357	310	206	1564	1040	23.1	II

CLAMP						
	WITHOUT DRAIN			WITH DRAIN		
Dimension [mm]	A	L	Q	A	L	Q
1.5" (38.1mm x 1.65mm)	345	310	147	345	385	223

DIN 11851 MALE PART						
	WITHOUT DRAIN			WITH DRAIN		
Dimension [mm]	A	L	Q	A	L	Q
DN40	345	351	168	345	426	243

BUTT WELD ASME BPE						
	WITHOUT DRAIN			WITH DRAIN		
Dimension [mm]	A	B	Q	A	B	Q
1.5" (38.1mm x 1.65mm)	345	285	135	345	360	210

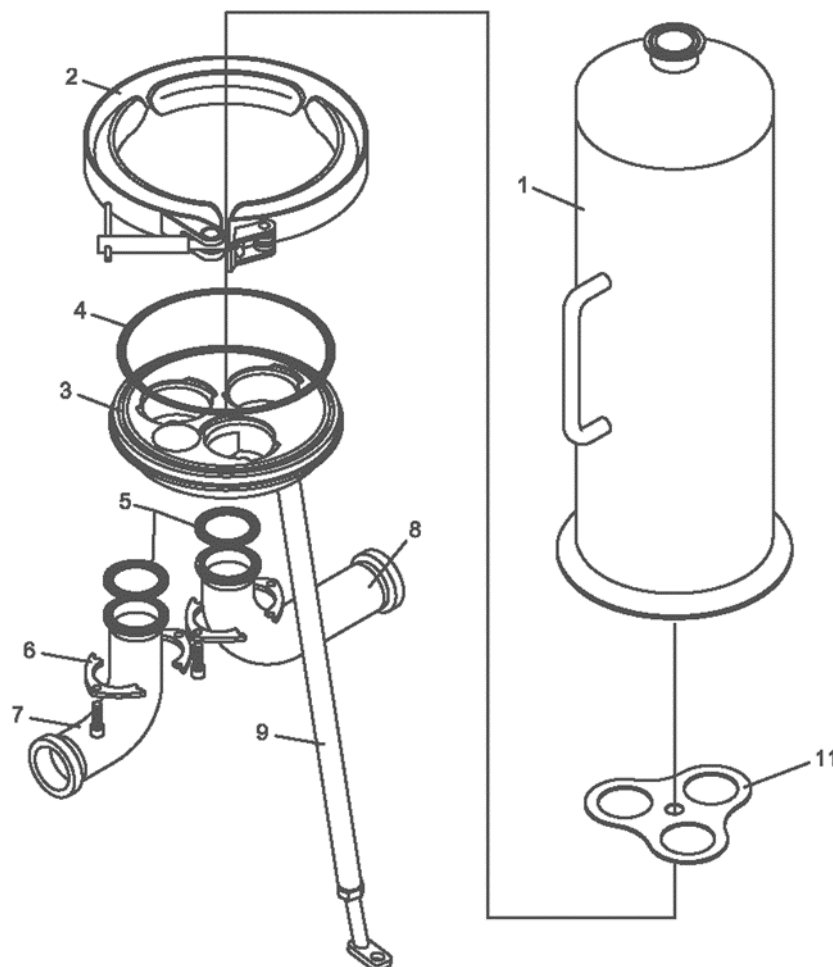
PACKAGING SIZE AND WEIGHT				
CARTRIDGE x HEIGHT (N)	BOWL WEIGHT [kg]	TOTAL NET WEIGHT [kg]	PACKAGING SIZE [cm]	TOTAL WEIGHT PACKED [kg]
03 x 10"	4.0	17.4	80x30x37	23.0
03 x 20"	6.0	19.4	104x30x37	25.0
03 x 30"	8.0	21.4	130x30x37	27.0
03 x 40"	10.0	23.4	155x30x37	29.0

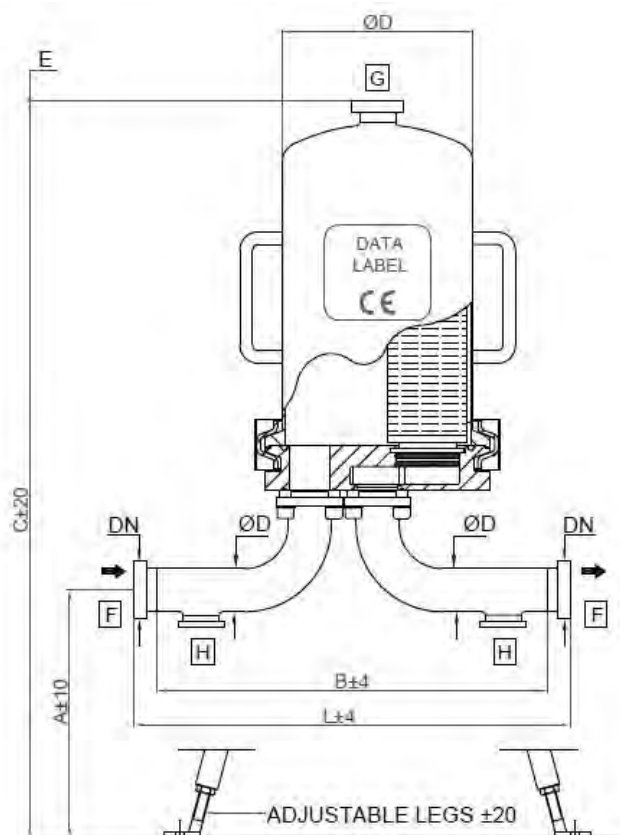
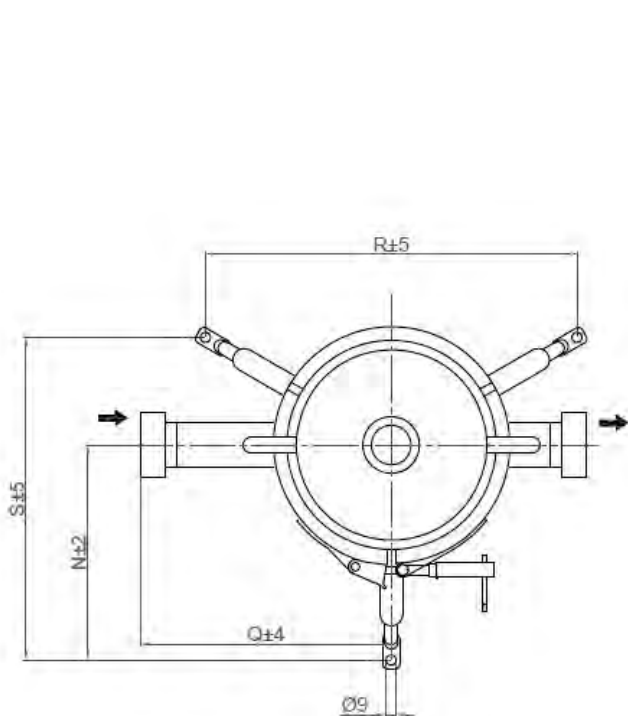
Please Note

In filter housings with a flange connection at the in- and outlet e.g. DIN-EN1092-1, ANSI, etc. the bends will be welded directly to the baseplate, instead of the standard flange connection described in the detailed drawing.

ORDER CODE AND TECHNICAL EQUIPMENT							
Order-no.	No. of Cartridges	Bowl Height	Connection	Nominal Diameter	Gasket	With Vent TC 1.5"	With Drain TC 1.5"
810032GXXAGG040L	03	20"	DIN 11851 Male Part	DN 40	Silicone	x	x
810032HXXAGG040L	03	20"	DIN 11851 Male Part	DN 40	EPDM	x	x
810032GXXEGG040L	03	20"	DIN 11851 Male Part	DN 40	Silicone	x	-
810032HXXEGG040L	03	20"	DIN 11851 Male Part	DN 40	EPDM	x	-
810032GXXATT015L	03	20"	TC	1.5"	Silicone	x	x
810032HXXATT015L	03	20"	TC	1.5"	EPDM	x	x
810032GXXETT015L	03	20"	TC	1.5"	Silicone	x	-
810032HXXETT015L	03	20"	TC	1.5"	EPDM	x	-
810032GXXASS015L	03	20"	Welding Stubs	38.1 x 1.65	Silicone	x	x
810032HXXASS015L	03	20"	Welding Stubs	38.1 x 1.65	EPDM	x	x
810032GXXESS015L	03	20"	Welding Stubs	38.1 x 1.65	Silicone	x	-
810032HXXESS015L	03	20"	Welding Stubs	38.1 x 1.65	EPDM	x	-
810033GXXAGG040L	03	30"	DIN 11851 Male Part	DN 40	Silicone	x	x
810033HXXAGG040L	03	30"	DIN 11851 Male Part	DN 40	EPDM	x	x
810033GXXEGG040L	03	30"	DIN 11851 Male Part	DN 40	Silicone	x	-
810033HXXEGG040L	03	30"	DIN 11851 Male Part	DN 40	EPDM	x	-
810033GXXATT015L	03	30"	TC	1.5"	Silicone	x	x
810033HXXATT015L	03	30"	TC	1.5"	EPDM	x	x
810033GXXETT015L	03	30"	TC	1.5"	Silicone	x	-
810033HXXETT015L	03	30"	TC	1.5"	EPDM	x	-
810033GXXASS015L	03	30"	Welding Stubs	38.1 x 1.65	Silicone	x	x
810033HXXASS015L	03	30"	Welding Stubs	38.1 x 1.65	EPDM	x	x
810033GXXESS015L	03	30"	Welding Stubs	38.1 x 1.65	Silicone	x	-
810033HXXESS015L	03	30"	Welding Stubs	38.1 x 1.65	EPDM	x	-
810034GXXAGG040L	03	40"	DIN 11851 Male Part	DN 40	Silicone	x	x
810034HXXAGG040L	03	40"	DIN 11851 Male Part	DN 40	EPDM	x	x
810034GXXEGG040L	03	40"	DIN 11851 Male Part	DN 40	Silicone	x	-
810034HXXEGG040L	03	40"	DIN 11851 Male Part	DN 40	EPDM	x	-
810034GXXATT015L	03	40"	TC	1.5"	Silicone	x	x
810034HXXATT015L	03	40"	TC	1.5"	EPDM	x	x
810034GXXETT015L	03	40"	TC	1.5"	Silicone	x	-
810034HXXETT015L	03	40"	TC	1.5"	EPDM	x	-
810034GXXASS015L	03	40"	Welding Stubs	38.1 x 1.65	Silicone	x	x
810034HXXASS015L	03	40"	Welding Stubs	38.1 x 1.65	EPDM	x	x
810034GXXESS015L	03	40"	Welding Stubs	38.1 x 1.65	Silicone	x	-
810034HXXESS015L	03	40"	Welding Stubs	38.1 x 1.65	EPDM	x	-

SPARE PARTS				
POS.	DESCRIPTION	MATERIAL	PART NO.	Q.TY
1	HOUSING BOWL	AISI 316L	-	1
2	V-BAND	AISI 304	8ZSLA-0003	1
3	CARTRIDGE PLATE	AISI 316L	-	1
4	O-RING d=5.35 ID=158.11	SILICONE	8ZDSC-0002	1
5	GASKET CLAMP 1.5"	PTFE	8ZDPC-0003	2
6	BEND FLANGE	AISI 304	-	4
7	INLET BEND	AISI 316L	-	1
8	OUTLET BEND	AISI 316L	-	1
9	COMPLETE LEG	AISI 304	-	3
11	PROTECTION PLATE	AISI 316L	-	1






AVT[®] FILTER HOUSING

PART NUMBER	
MODEL	"Q"
TYPE	
CARTRIDGE NO. x HIGH (inch)	"N"
CATEGORY 2014/68/EU	
VOLUME LITRES (V)	
PRESSURE(PS) min-max at TS=-20 / 40°C bar	-1 + 10 Δ
PRESSURE(PS) min-max at TS=150°C bar	-1 + 4 Δ
TEST PRESSURE(PT) bar	20
DESIGN TEMPERATURE (TS) min-max	-20 + 150°C
FLUID GROUP (2014/68/EU)	2
VESSEL MATERIAL	316L / 1.4404
YEAR OF MANUFACTURE	
VESSEL NUMBER	
ATEX CLASSIFICATION	II 2 GD IIC
ATEX CERTIFICATION	04.01 EX.02-X

Δ SEE USER MANUAL FOR MAX WORKING PRESSURE WITH NOT DANGEROUS GAS IN ACCORDANCE WITH 2014/68/EU

CE XXXX 

Fluid group 1 (dangerous) on request
article no., price & delivery time can be different.

DIMENSIONAL DATA							
CARTRIDGE x HEIGHT (N)	R mm	S mm	N mm	C mm	E mm	VOLUME liters (V)	PED Category
05 x 10"	400	347	231	825	290	11	I
05 x 20"	400	347	231	1075	540	20	II
05 x 30"	400	347	231	1325	790	29.1	II
05 x 40"	400	347	231	1575	1040	38.2	II

CLAMP						
	WITHOUT DRAIN			WITH DRAIN		
Dimension [mm]	A	L	Q	A	L	Q
2.0" (50.8mm x 1.65mm)	315	378	196	315	445	263

DIN 11851 MALE PART						
	WITHOUT DRAIN			WITH DRAIN		
Dimension [mm]	A	L	Q	A	L	Q
DN50	315	423	218	315	490	285

BUTT WELD ASME BPE						
	WITHOUT DRAIN			WITH DRAIN		
Dimension [mm]	A	B	Q	A	B	Q
2.0" (50.8mm x 1.65mm)	315	353	183	315	420	250

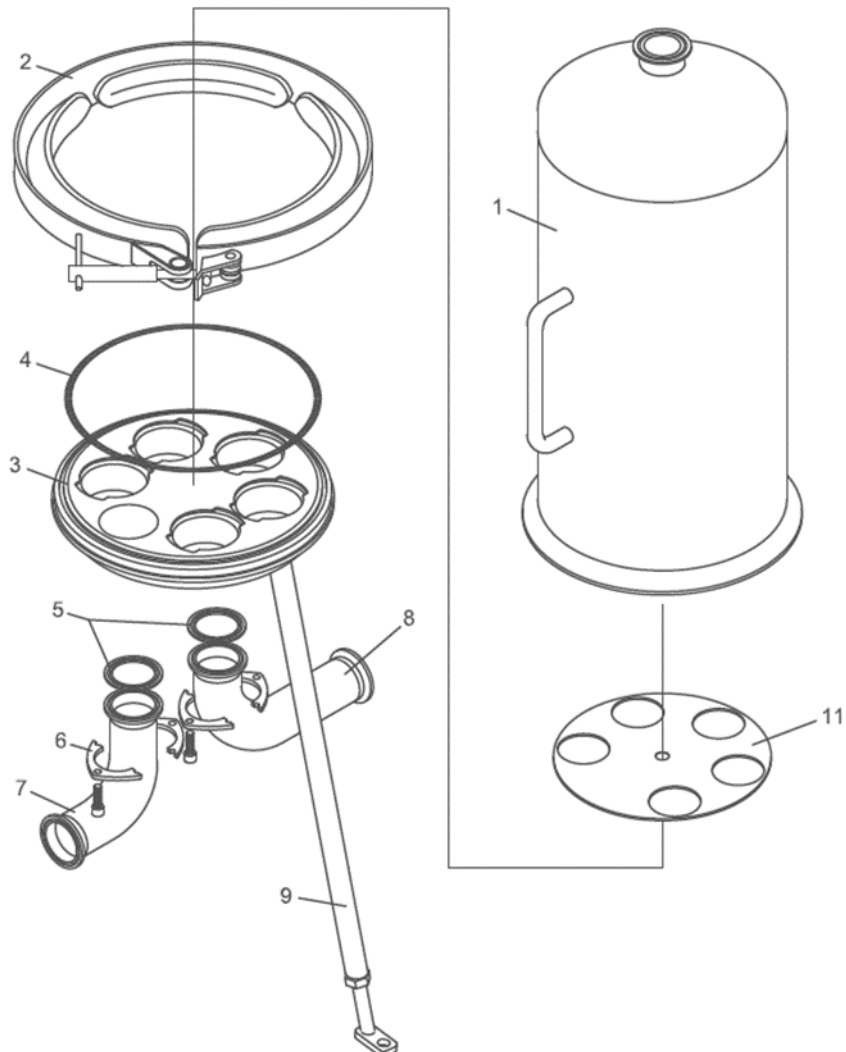
PACKAGING SIZE AND WEIGHT				
CARTRIDGE x HEIGHT (N)	BOWL WEIGHT [kg]	TOTAL NET WEIGHT [kg]	PACKAGING SIZE [cm]	TOTAL WEIGHT PACKED [kg]
05 x 10"	5.3	11.0	72x35x37	24.0
05 x 20"	7.5	20.0	97x35x37	26.0
05 x 30"	10.2	22.0	122x35x37	28.0
05 x 40"	12.9	24.0	147x35x37	30.0

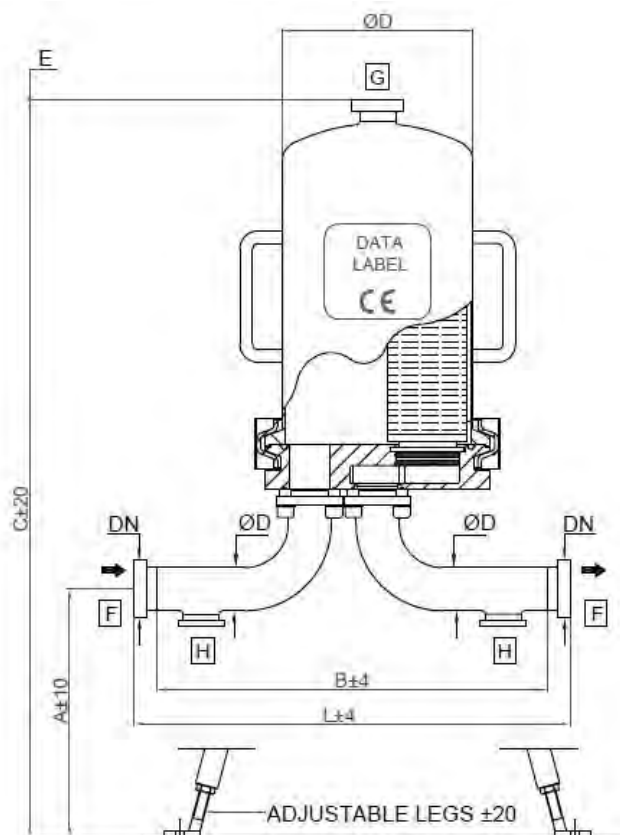
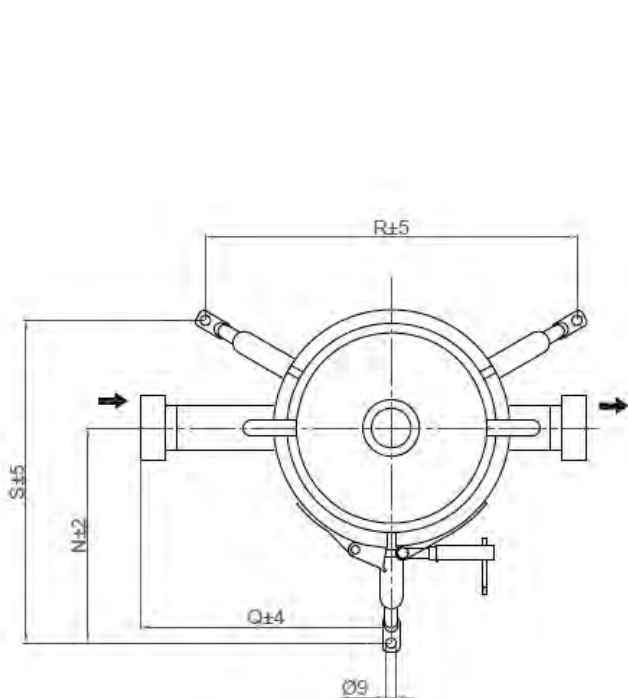
Please Note

In filter housings with a flange connection at the in- and outlet e.g. DIN-EN1092-1, ANSI, etc. the bends will be welded directly to the baseplate, instead of the standard flange connection described in the detailed drawing.



ORDER CODE AND TECHNICAL EQUIPMENT							
Order-no.	No. of Cartridges	Bowl Height	Connection	Nominal Diameter	Gasket	With Vent TC 1.5"	With Drain TC 1.5"
810052GXXAGG050L	05	20"	DIN 11851 Male Part	DN 50	Silicone	x	x
810052HXXAGG050L	05	20"	DIN 11851 Male Part	DN 50	EPDM	x	x
810052GXXEGG050L	05	20"	DIN 11851 Male Part	DN 50	Silicone	x	-
810052HXXEGG050L	05	20"	DIN 11851 Male Part	DN 50	EPDM	x	-
810052GXXATT020L	05	20"	TC	2"	Silicone	x	x
810052HXXATT020L	05	20"	TC	2"	EPDM	x	x
810052GXXETT020L	05	20"	TC	2"	Silicone	x	-
810052HXXETT020L	05	20"	TC	2"	EPDM	x	-
810052GXXASS020L	05	20"	Welding Stubs	50.8 x 1.65	Silicone	x	x
810052HXXASS020L	05	20"	Welding Stubs	50.8 x 1.65	EPDM	x	x
810052GXXESS020L	05	20"	Welding Stubs	50.8 x 1.65	Silicone	x	-
810052HXXESS020L	05	20"	Welding Stubs	50.8 x 1.65	EPDM	x	-
810053GXXAGG050L	05	30"	DIN 11851 Male Part	DN 50	Silicone	x	x
810053HXXAGG050L	05	30"	DIN 11851 Male Part	DN 50	EPDM	x	x
810053GXXEGG050L	05	30"	DIN 11851 Male Part	DN 50	Silicone	x	-
810053HXXEGG050L	05	30"	DIN 11851 Male Part	DN 50	EPDM	x	-
810053GXXATT020L	05	30"	TC	2"	Silicone	x	x
810053HXXATT020L	05	30"	TC	2"	EPDM	x	x
810053GXXETT020L	05	30"	TC	2"	Silicone	x	-
810053HXXETT020L	05	30"	TC	2"	EPDM	x	-
810053GXXASS020L	05	30"	Welding Stubs	50.8 x 1.65	Silicone	x	x
810053HXXASS020L	05	30"	Welding Stubs	50.8 x 1.65	EPDM	x	x
810053GXXESS020L	05	30"	Welding Stubs	50.8 x 1.65	Silicone	x	-
810053HXXESS020L	05	30"	Welding Stubs	50.8 x 1.65	EPDM	x	-
810054GXXAGG050L	05	40"	DIN 11851 Male Part	DN 50	Silicone	x	x
810054HXXAGG050L	05	40"	DIN 11851 Male Part	DN 50	EPDM	x	x
810054GXXEGG050L	05	40"	DIN 11851 Male Part	DN 50	Silicone	x	-
810054HXXEGG050L	05	40"	DIN 11851 Male Part	DN 50	EPDM	x	-
810054GXXATT020L	05	40"	TC	2"	Silicone	x	x
810054HXXATT020L	05	40"	TC	2"	EPDM	x	x
810054GXXETT020L	05	40"	TC	2"	Silicone	x	-
810054HXXETT020L	05	40"	TC	2"	EPDM	x	-
810054GXXASS020L	05	40"	Welding Stubs	50.8 x 1.65	Silicone	x	x
810054HXXASS020L	05	40"	Welding Stubs	50.8 x 1.65	EPDM	x	x
810054GXXESS020L	05	40"	Welding Stubs	50.8 x 1.65	Silicone	x	-
810054HXXESS020L	05	40"	Welding Stubs	50.8 x 1.65	EPDM	x	-


SPARE PARTS				
POS.	DESCRIPTION	MATERIAL	PART NO.	Q.TY
1	HOUSING BOWL	AISI 316L	-	1
2	V-BAND	AISI 304	8ZSLA-0004	1
3	CARTRIDGE PLATE	AISI 316L	-	1
4	O-RING d=5.35 ID=208.91	SILICONE	8ZDSC-0004	1
5	GASKET CLAMP 2"	PTFE	8ZDPC-0005	2
6	BEND FLANGE	AISI 304	-	4
7	INLET BEND	AISI 316L	-	1
8	OUTLET BEND	AISI 316L	-	1
9	COMPLETE LEG	AISI 304	-	3
11	PROTECTION PLATE	AISI 316L	-	1






AVT[®] FILTER HOUSING

PART NUMBER	
MODEL	"Q"
TYPE	
CARTRIDGE NO. x HIGH (inch)	"N"
CATEGORY 2014/68/EU	
VOLUME LITRES (V)	
PRESSURE(PS) min-max at TS=-20 / 40°C bar	-1 + 10 
PRESSURE(PS) min-max at TS=150°C bar	-1 + 4 
TEST PRESSURE(PT) bar	20
DESIGN TEMPERATURE (TS) min-max	-20 + 150°C
FLUID GROUP (2014/68/EU)	2
VESSEL MATERIAL	316L / 1.4404
YEAR OF MANUFACTURE	
VESSEL NUMBER	
ATEX CLASSIFICATION	II 2 GD IIC
ATEX CERTIFICATION	04.01 EX.02-X

 SEE USER MANUAL FOR MAX WORKING PRESSURE WITH NOT DANGEROUS GAS IN ACCORDANCE WITH 2014/68/EU

CE XXXX 

Fluid group 1 (dangerous) on request article no., price & delivery time can be different.

DIMENSIONAL DATA							
CARTRIDGE x HEIGHT (N)	R mm	S mm	N mm	C mm	E mm	VOLUME liters (V)	PED Category
08 x 10"	448	388	259	846	290	21.3	II
08 x 20"	448	388	259	1096	540	35.5	II
08 x 30"	448	388	259	1346	790	48.7	II
08 x 40"	448	388	259	1596	1040	63.9	II

CLAMP						
	WITHOUT DRAIN			WITH DRAIN		
Dimension [mm]	A	L	Q	A	L	Q
2.0" (50.8mm x 1.65mm)	315	404	222	315	471	289

DIN 11851 MALE PART						
	WITHOUT DRAIN			WITH DRAIN		
Dimension [mm]	A	L	Q	A	L	Q
DN50	315	449	244	315	516	311

BUTT WELD ASME BPE						
	WITHOUT DRAIN			WITH DRAIN		
Dimension [mm]	A	B	Q	A	B	Q
2.0" (50.8mm x 1.65mm)	315	379	209	315	446	273

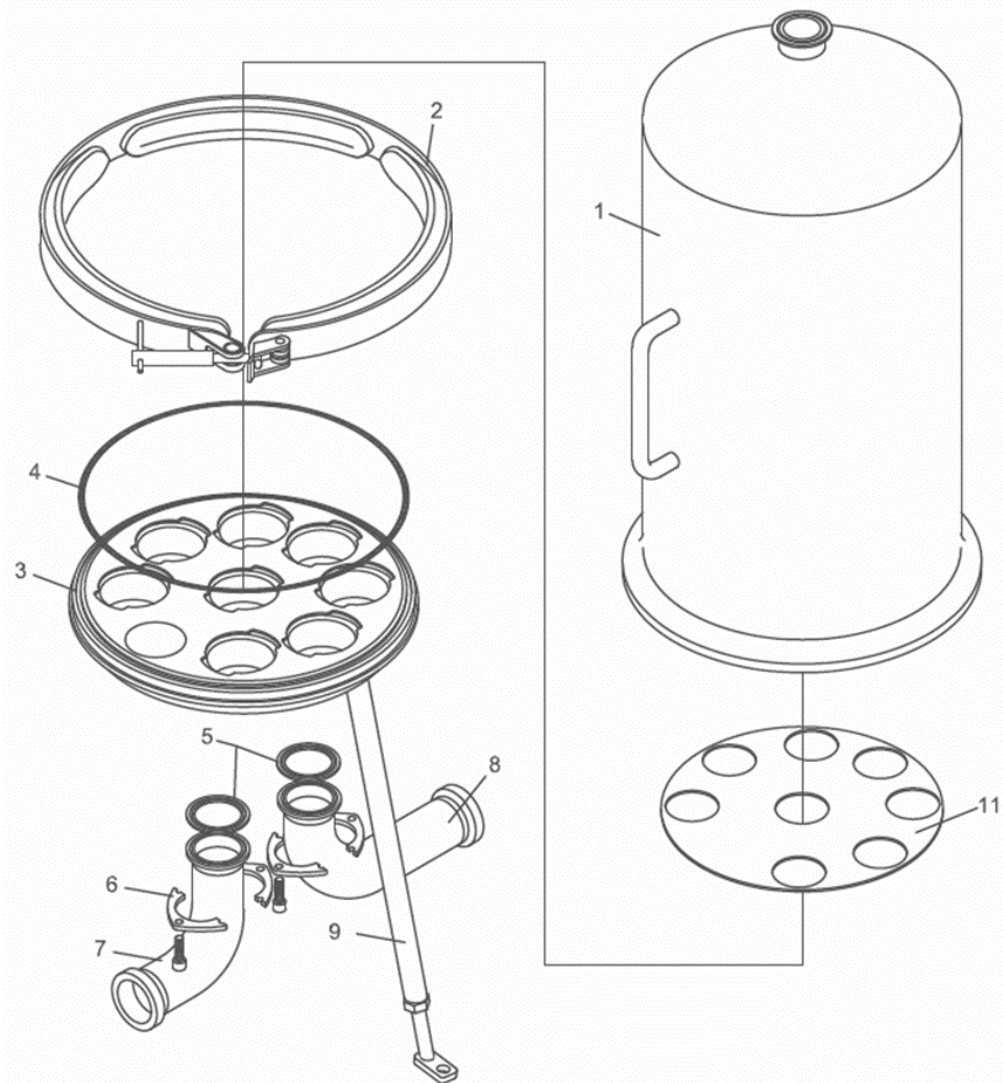
PACKAGING SIZE AND WEIGHT				
CARTRIDGE x HEIGHT (N)	BOWL WEIGHT [kg]	TOTAL NET WEIGHT [kg]	PACKAGING SIZE [cm]	TOTAL WEIGHT PACKED [kg]
08 x 10"	7.0	27.0	75x40x42	30.0
08 x 20"	10.0	30.0	100x40x42	34.0
08 x 30"	13.0	3.0	125x40x42	38.0
08 x 40"	16.0	36.0	150x40x42	42.0

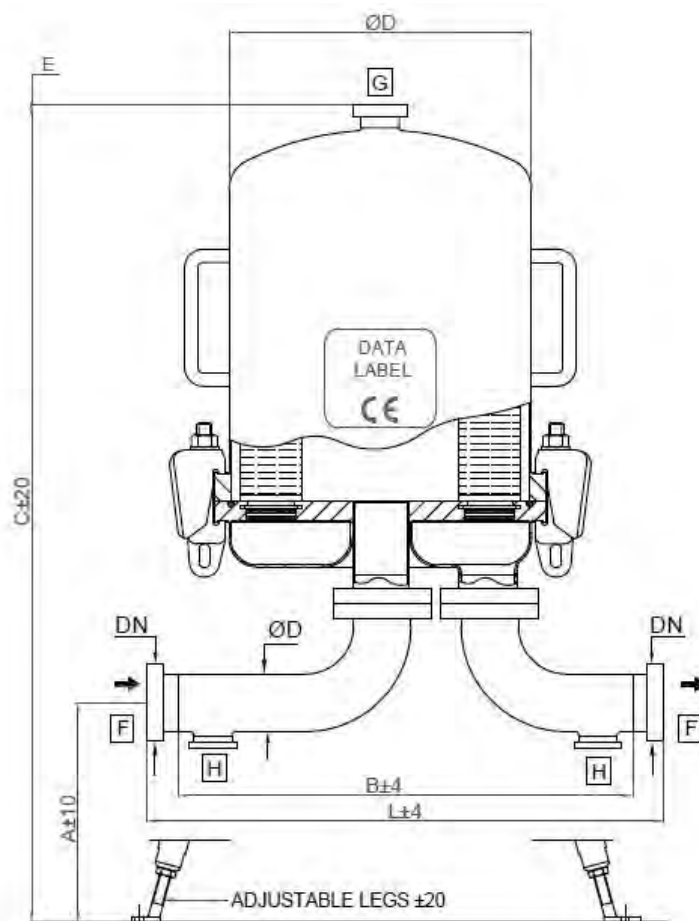
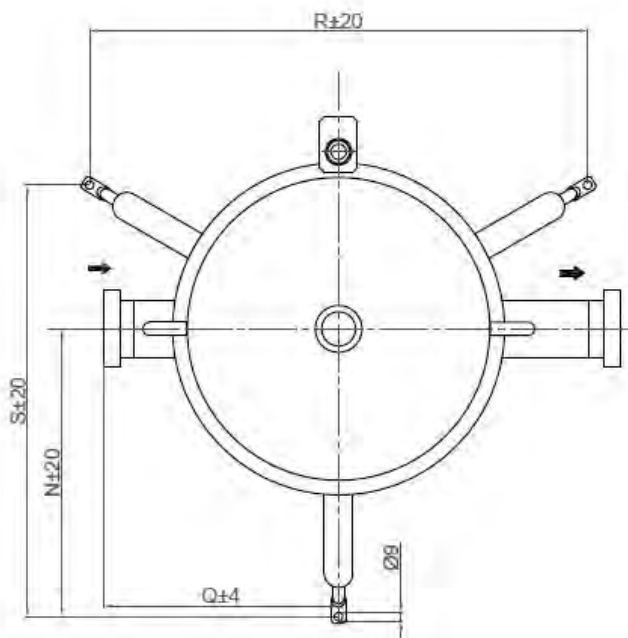
Please Note

In filter housings with a flange connection at the in- and outlet e.g. DIN-EN1092-1, ANSI, etc. the bends will be welded directly to the baseplate, instead of the standard flange connection described in the detailed drawing.



ORDER CODE AND TECHNICAL EQUIPMENT							
Order-no.	No. of Cartridges	Bowl Height	Connection	Nominal Diameter	Gasket	With Vent TC 1.5"	With Drain TC 1.5"
810082GXXAGG050L	08	20"	DIN 11851 Male Part	DN 50	Silicone	x	x
810082HXXAGG080L	08	20"	DIN 11851 Male Part	DN 50	EPDM	x	x
810082GXXEGG050L	08	20"	DIN 11851 Male Part	DN 50	Silicone	x	-
810082HXXEGG050L	08	20"	DIN 11851 Male Part	DN 50	EPDM	x	-
810082GXXATT020L	08	20"	TC	2"	Silicone	x	x
810082HXXATT020L	08	20"	TC	2"	EPDM	x	x
810082GXXETT020L	08	20"	TC	2"	Silicone	x	-
810082HXXETT020L	08	20"	TC	2"	EPDM	x	-
810082GXXASS020L	08	20"	Welding Stubs	50.8 x 1.65	Silicone	x	x
810082HXXASS020L	08	20"	Welding Stubs	50.8 x 1.65	EPDM	x	x
810082GXXESS020L	08	20"	Welding Stubs	50.8 x 1.65	Silicone	x	-
810082HXXESS020L	08	20"	Welding Stubs	50.8 x 1.65	EPDM	x	-
810083GXXAGG050L	08	30"	DIN 11851 Male Part	DN 50	Silicone	x	x
810083HXXAGG050L	08	30"	DIN 11851 Male Part	DN 50	EPDM	x	x
810083GXXEGG050L	08	30"	DIN 11851 Male Part	DN 50	Silicone	x	-
810083HXXEGG050L	08	30"	DIN 11851 Male Part	DN 50	EPDM	x	-
810083GXXATT020L	08	30"	TC	2"	Silicone	x	x
810083HXXATT020L	08	30"	TC	2"	EPDM	x	x
810083GXXETT020L	08	30"	TC	2"	Silicone	x	-
810083HXXETT020L	08	30"	TC	2"	EPDM	x	-
810083GXXASS020L	08	30"	Welding Stubs	50.8 x 1.65	Silicone	x	x
810083HXXASS020L	08	30"	Welding Stubs	50.8 x 1.65	EPDM	x	x
810083GXXESS020L	08	30"	Welding Stubs	50.8 x 1.65	Silicone	x	-
810083HXXESS020L	08	30"	Welding Stubs	50.8 x 1.65	EPDM	x	-
810084GXXAGG050L	08	40"	DIN 11851 Male Part	DN 50	Silicone	x	x
810084HXXAGG050L	08	40"	DIN 11851 Male Part	DN 50	EPDM	x	x
810084GXXEGG050L	08	40"	DIN 11851 Male Part	DN 50	Silicone	x	-
810084HXXEGG050L	08	40"	DIN 11851 Male Part	DN 50	EPDM	x	-
810084GXXATT020L	08	40"	TC	2"	Silicone	x	x
810084HXXATT020L	08	40"	TC	2"	EPDM	x	x
810084GXXETT020L	08	40"	TC	2"	Silicone	x	-
810084HXXETT020L	08	40"	TC	2"	EPDM	x	-
810084GXXASS020L	08	40"	Welding Stubs	50.8 x 1.65	Silicone	x	x
810084HXXASS020L	08	40"	Welding Stubs	50.8 x 1.65	EPDM	x	x
810084GXXESS020L	08	40"	Welding Stubs	50.8 x 1.65	Silicone	x	-
810084HXXESS020L	08	40"	Welding Stubs	50.8 x 1.65	EPDM	x	-


SPARE PARTS													
POS.	DESCRIPTION	MATERIAL	PART NO.	Q.TY									
1	HOUSING BOWL	AISI 316L	-	1									
2	V-BAND	AISI 304	8ZSLA-0005	1									
3	CARTRIDGE PLATE	AISI 316L	-	1									
4	O-RING d=5.35 ID=266.06	SILICONE	8ZDSC-0006	1									
5	GASKET CLAMP	PTFE	-	2									
6	BEND FLANGE	AISI 304	-	4									
7	INLET BEND	AISI 316L	-	1									
8	OUTLET BEND	AISI 316L	- </tr <tr> <td>9</td> <td>COMPLETE LEG</td> <td>AISI 304</td> <td>-</td> <td>3</td> </tr> <tr> <td>11</td> <td>PROTECTION PLATE</td> <td>AISI 316L</td> <td>-</td> <td>1</td> </tr>	9	COMPLETE LEG	AISI 304	-	3	11	PROTECTION PLATE	AISI 316L	-	1
9	COMPLETE LEG	AISI 304	-	3									
11	PROTECTION PLATE	AISI 316L	-	1									







AVT[®] FILTER HOUSING

PART NUMBER	
MODEL	"Q"
TYPE	
CARTRIDGE NO. x HIGH (inch)	"N"
CATEGORY 2014/68/EU	
VOLUME LITRES (V)	
PRESSURE(PS) min-max at TS=-20 / 40°C bar	-1 + 10 
PRESSURE(PS) min-max at TS=150°C bar	-1 + 4 
TEST PRESSURE(PT) bar	20
DESIGN TEMPERATURE (TS) min-max	-20 + 150°C
FLUID GROUP (2014/68/EU)	2
VESSEL MATERIAL	316L / 1.4404
YEAR OF MANUFACTURE	
VESSEL NUMBER	
ATEX CLASSIFICATION	II 2 GD IIC
ATEX CERTIFICATION	04.01 EX.02-X

 SEE USER MANUAL FOR MAX WORKING PRESSURE WITH NOT DANGEROUS GAS IN ACCORDANCE WITH 2014/68/EU

Fluid group 1 (dangerous) on request
article no., price & delivery time can be different.

DIMENSIONAL DATA							
CARTRIDGE x HEIGHT (N)	R mm	S mm	N mm	C mm	E mm	VOLUME liters (V)	PED Category
12 x 10"	425	410	279	930	290	41	II
12 x 20"	425	410	279	1180	540	66	II
12 x 30"	425	410	279	1430	790	88	II
12 x 40"	425	410	279	1680	1040	112	III

CLAMP						
	WITHOUT DRAIN			WITH DRAIN		
Dimension [mm]	A	L	Q	A	L	Q
2.5" (63.5mm x 1.65mm)	326	493	225	326	573	225

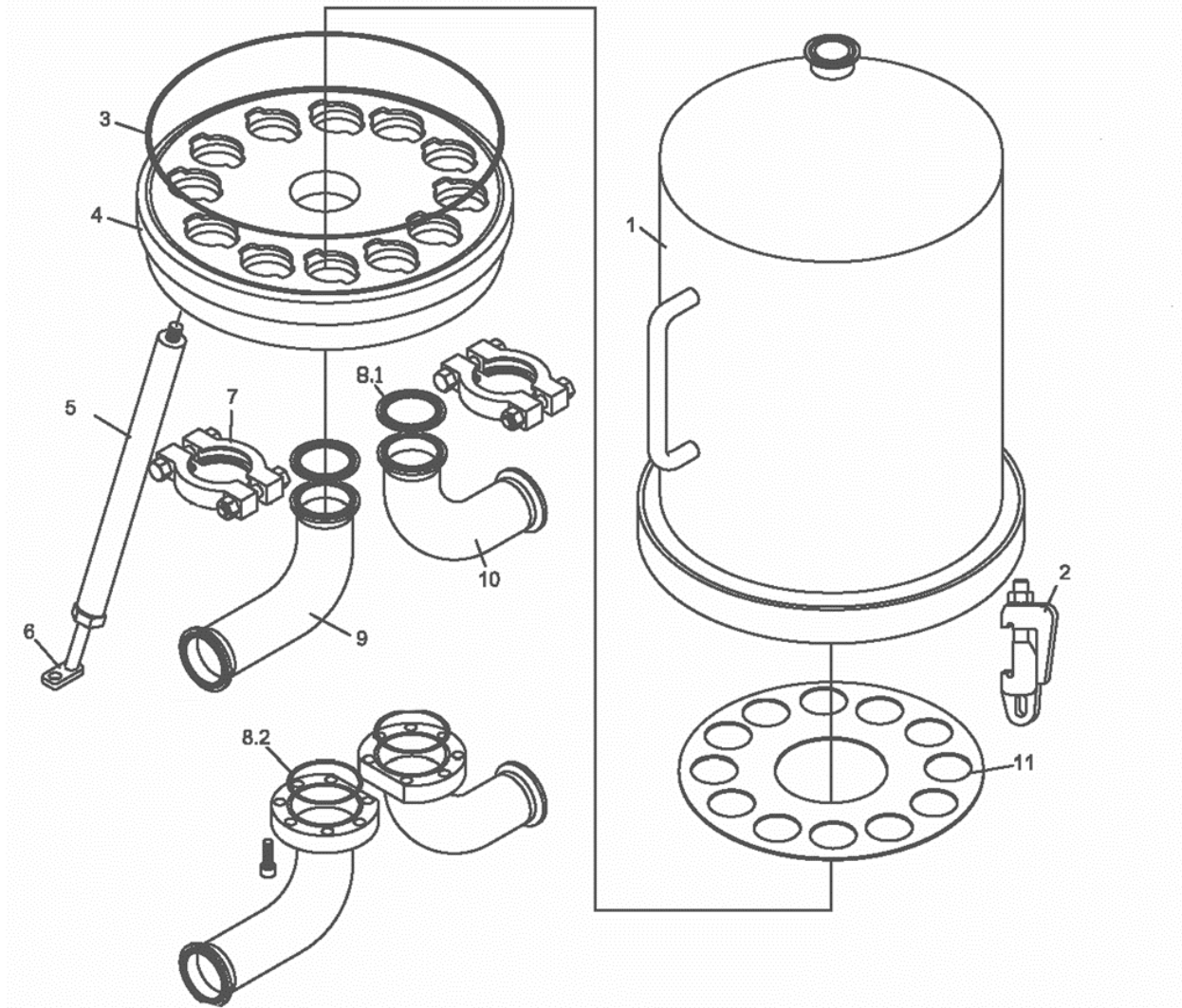
DIN 11851 MALE PART						
	WITHOUT DRAIN			WITH DRAIN		
Dimension [mm]	A	L	Q	A	L	Q
DN65	326	547	252	326	627	252

BUTT WELD ASME BPE						
	WITHOUT DRAIN			WITH DRAIN		
Dimension [mm]	A	B	Q	A	B	Q
2.5" (63.5mm x 1.65mm)	326	467	212	326	547	212

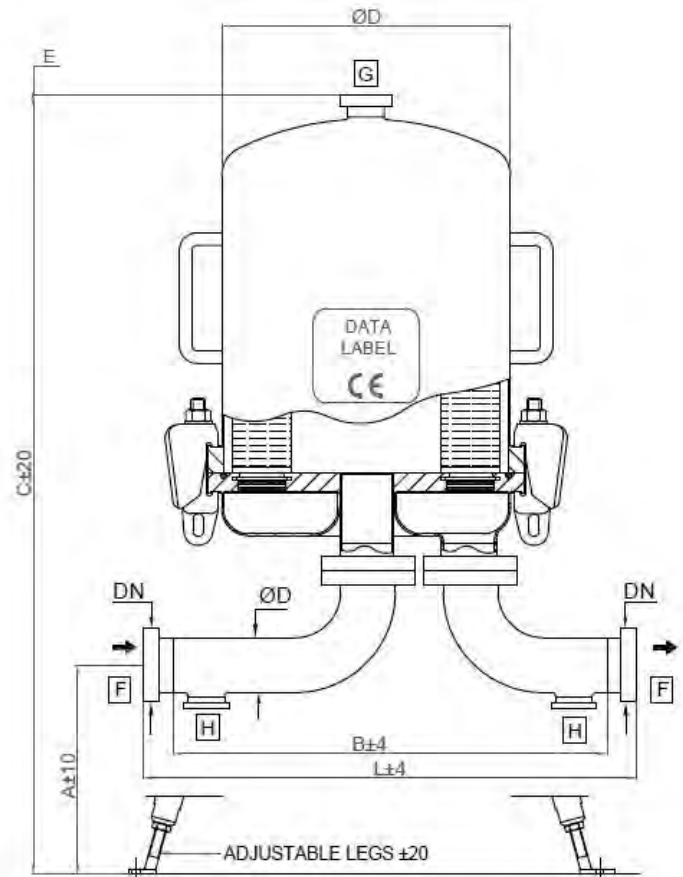
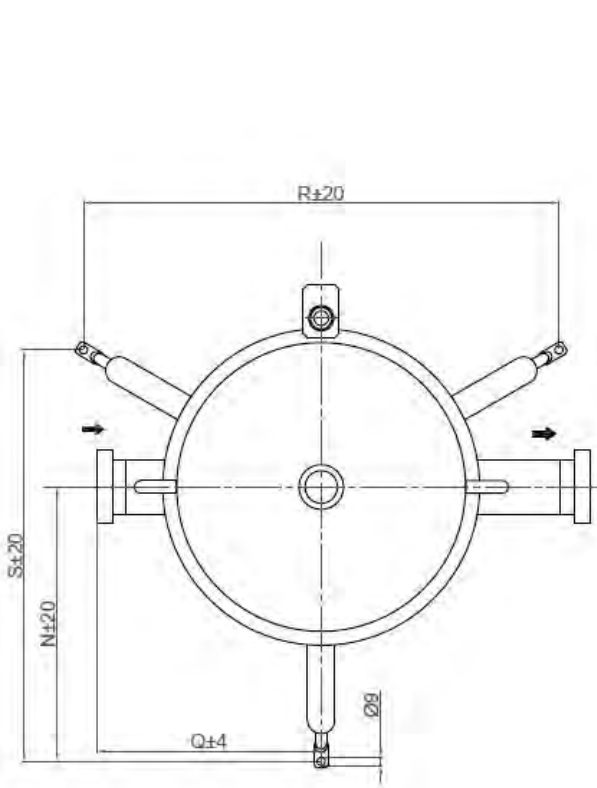
PACKAGING SIZE AND WEIGHT				
CARTRIDGE x HEIGHT (N)	BOWL WEIGHT [kg]	TOTAL NET WEIGHT [kg]	PACKAGING SIZE [cm]	TOTAL WEIGHT PACKED [kg]
12 x 10"	10.0	58.0	75x53x54	63.0
12 x 20"	14.5	62.0	100x53x54	67.0
12 x 30"	19.0	66.0	125x53x54	71.0
12 x 40"	23.5	70.0	150x53x54	76.0

ORDER CODE AND TECHNICAL EQUIPMENT							
Order-no.	No. of Cartridges	Bowl Height	Connection	Nominal Diameter	Gasket	With Vent TC 1.5"	With Drain TC 1.5"
810123GXXAGG065L	12	30"	DIN 11851 Male Part	DN 65	Silicone	x	x
810123HXXAGG065L	12	30"	DIN 11851 Male Part	DN 65	EPDM	x	x
810123GXXEGG065L	12	30"	DIN 11851 Male Part	DN 65	Silicone	x	-
810123HXXEGG065L	12	30"	DIN 11851 Male Part	DN 65	EPDM	x	-
810123GXXATT025L	12	30"	TC	2.5"	Silicone	x	x
810123HXXATT025L	12	30"	TC	2.5"	EPDM	x	x
810123GXXETT025L	12	30"	TC	2.5"	Silicone	x	-
810123HXXETT025L	12	30"	TC	2.5"	EPDM	x	-
810123GXXASS025L	12	30"	Welding Stubs	63.5 x 1.65	Silicone	x	x
810123HXXASS025L	12	30"	Welding Stubs	63.5 x 1.65	EPDM	x	x
810123GXXESS025L	12	30"	Welding Stubs	63.5 x 1.65	Silicone	x	-
810123HXXESS025L	12	30"	Welding Stubs	63.5 x 1.65	EPDM	x	-
810124GXXAGG065L	12	40"	DIN 11851 Male Part	DN 65	Silicone	x	x
810124HXXAGG065L	12	40"	DIN 11851 Male Part	DN 65	EPDM	x	x
810124GXXEGG065L	12	40"	DIN 11851 Male Part	DN 65	Silicone	x	-
810124HXXEGG065L	12	40"	DIN 11851 Male Part	DN 65	EPDM	x	-
810124GXXATT025L	12	40"	TC	2.5"	Silicone	x	x
810124HXXATT025L	12	40"	TC	2.5"	EPDM	x	x
810124GXXETT025L	12	40"	TC	2.5"	Silicone	x	-
810124HXXETT025L	12	40"	TC	2.5"	EPDM	x	-
810124GXXASS025L	12	40"	Welding Stubs	63.5 x 1.65	Silicone	x	x
810124HXXASS025L	12	40"	Welding Stubs	63.5 x 1.65	EPDM	x	x
810124GXXESS025L	12	40"	Welding Stubs	63.5 x 1.65	Silicone	x	-
810124HXXESS025L	12	40"	Welding Stubs	63.5 x 1.65	EPDM	x	-



SPARE PARTS				
POS.	DESCRIPTION	MATERIAL	PART NO.	Q.TY
1	HOUSING BOWL	AISI 316L	-	1
2	BOLT CLAMP M16	AISI 316Ti	8ZSL--0009	
3	O-RING d=7.00 ID=342.30	SILICONE	8ZDSC-0007	1
4	CARTRIDGE PLATE	AISI 316L	-	1
5	LEG	AISI 304	-	3
6	FOOT	AISI 304	-	3
7	CLAMP 3"	AISI 304	-	2
8.1	GASKET CLAMP 3"	PTFE	8ZDPC-0008	2
8.2	O-RING d=5.34 ID=100.00	SILICONE	-	2
9	INLET BEND	AISI 316L	-	1
10	OUTLET BEND	AISI 316L	-	1
11	PROTECTION PLATE	AISI 316L	-	1





HOUSING STYLE - T-TYPE - Series VHP



AVT[®] FILTER HOUSING

PART NUMBER	
MODEL	"Q"
TYPE	
CARTRIDGE NO. x HIGH (inch)	"N"
CATEGORY 2014/68/EU	
VOLUME LITRES (V)	
PRESSURE(PS) min-max at TS=-20 / 40°C bar	-1 + 10 
PRESSURE(PS) min-max at TS=150°C bar	-1 + 4 
TEST PRESSURE(PT) bar	20
DESIGN TEMPERATURE (TS) min-max	-20 + 150°C
FLUID GROUP (2014/68/EU)	2
VESSEL MATERIAL	316L / 1.4404
YEAR OF MANUFACTURE	
VESSEL NUMBER	
ATEX CLASSIFICATION	II 2 GD IIC
ATEX CERTIFICATION	04.01 EX.02-X

 SEE USER MANUAL FOR MAX WORKING PRESSURE WITH NOT DANGEROUS GAS IN ACCORDANCE WITH 2014/68/EU

CE XXXX 

Fluid group 1 (dangerous) on request article no., price & delivery time can be different.

DIMENSIONAL DATA							
CARTRIDGE x HEIGHT (N)	R mm	S mm	N mm	C mm	E mm	VOLUME liters (V)	PED Category
18 x 10"	505	480	304	950	290	54	II
18 x 20"	505	480	304	1200	540	85	II
18 x 30"	505	480	304	1450	790	115	III
18 x 40"	505	480	304	1700	1040	146	III

CLAMP							
	WITHOUT DRAIN			WITH DRAIN			
Dimension [mm]	A	L	Q	A	L	Q	
2.5" (63.5mm x 1.65mm) [Standard]	325	509	225	325	589	225	
3.0" (76.2mm x 1.65mm)	297	565	253	297	645	253	

DIN 11851 MALE PART							
	WITHOUT DRAIN			WITH DRAIN			
Dimension [mm]	A	L	Q	A	L	Q	
DN65 [Standard]	325	564	252	325	644	252	
DN80	316	620	276	316	700	276	

BUTT WELD ASME BPE							
	WITHOUT DRAIN			WITH DRAIN			
Dimension [mm]	A	B	Q	A	B	Q	
2.5" (63.5mm x 1.65mm) [Standard]	325	482	212	325	565	212	
3.0" (76.2mm x 1.65mm)	297	540	240	297	620	240	

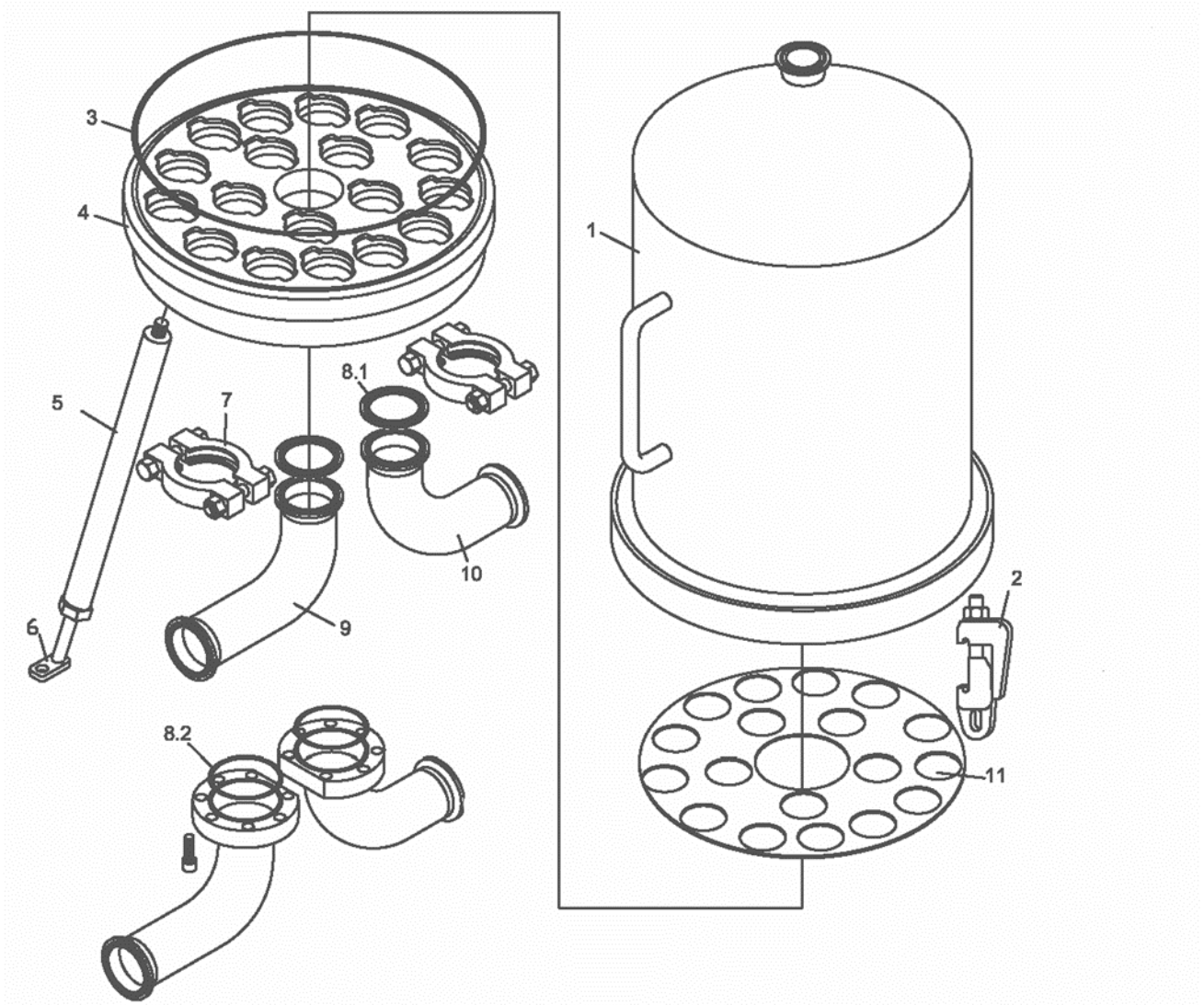
PACKAGING SIZE AND WEIGHT				
CARTRIDGE x HEIGHT (N)	BOWL WEIGHT [kg]	TOTAL NET WEIGHT [kg]	PACKAGING SIZE [cm]	TOTAL WEIGHT PACKED [kg]
18 x 10"	12.0	59.0	78x58x59	64.0
18 x 20"	17.0	63.0	103x58x59	68.0
18 x 30"	22.0	68.0	128x58x59	74.0
18 x 40"	27.0	74.0	153x58x59	80.0

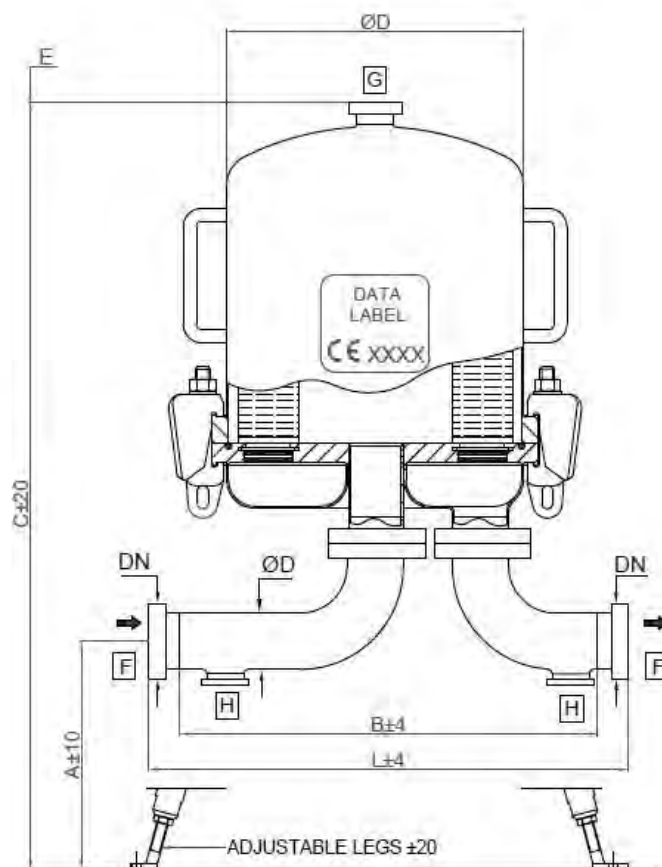
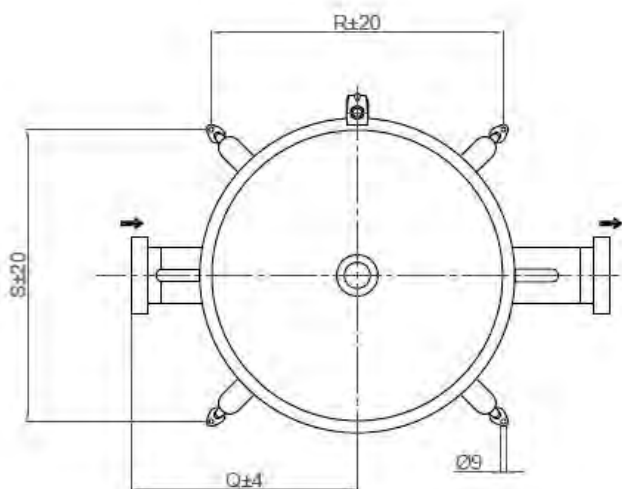
HOUSING STYLE - T-TYPE - Series VHP

ORDER CODE AND TECHNICAL EQUIPMENT								
Order-no.	No. of Cartridges	Bowl Height	Connection	Nominal Diameter	Gasket	With Vent TC 1.5"	With Drain TC 1.5"	Standard Dimension
810183GXXAGG065L	18	30"	DIN 11851 Male Part	DN 65	Silicone	x	x	x
810183GXXAGG080L	18	30"	DIN 11851 Male Part	DN 80	Silicone	x	x	
810183HXXAGG065L	18	30"	DIN 11851 Male Part	DN 65	EPDM	x	x	x
810183HXXAGG080L	18	30"	DIN 11851 Male Part	DN 80	EPDM	x	x	
810183GXXEGG065L	18	30"	DIN 11851 Male Part	DN 65	Silicone	x	-	x
810183GXXEGG080L	18	30"	DIN 11851 Male Part	DN 80	Silicone	x	-	
810183HXXEGG065L	18	30"	DIN 11851 Male Part	DN 65	EPDM	x	-	x
810183HXXEGG080L	18	30"	DIN 11851 Male Part	DN 80	EPDM	x	-	
810183GXXATT025L	18	30"	TC	2.5"	Silicone	x	x	x
810183GXXATT030L	18	30"	TC	3.0"	Silicone	x	x	
810183HXXATT025L	18	30"	TC	2.5"	EPDM	x	x	x
810183HXXATT030L	18	30"	TC	3.0"	EPDM	x	x	
810183GXXETT025L	18	30"	TC	2.5"	Silicone	x	-	x
810183GXXETT030L	18	30"	TC	3.0"	Silicone	x	-	
810183HXXETT025L	18	30"	TC	2.5"	EPDM	x	-	x
810183HXXETT030L	18	30"	TC	3.0"	EPDM	x	-	
810183GXXASS025L	18	30"	Welding Stubs	63.5 x 1.65	Silicone	x	x	x
810183GXXASS030L	18	30"	Welding Stubs	76.2 x 1.65	Silicone	x	x	
810183HXXASS025L	18	30"	Welding Stubs	63.5 x 1.65	EPDM	x	x	x
810183HXXASS030L	18	30"	Welding Stubs	76.2 x 1.65	EPDM	x	x	
810183GXXESS025L	18	30"	Welding Stubs	63.5 x 1.65	Silicone	x	-	x
810183GXXESS030L	18	30"	Welding Stubs	76.2 x 1.65	Silicone	x	-	
810183HXXESS025L	18	30"	Welding Stubs	63.5 x 1.65	EPDM	x	-	x
810183HXXESS030L	18	30"	Welding Stubs	76.2 x 1.65	EPDM	x	-	
810184GXXAGG065L	18	40"	DIN 11851 Male Part	DN 65	Silicone	x	x	x
810184GXXAGG080L	18	40"	DIN 11851 Male Part	DN 80	Silicone	x	x	
810184HXXAGG065L	18	40"	DIN 11851 Male Part	DN 65	EPDM	x	x	x
810184HXXAGG080L	18	40"	DIN 11851 Male Part	DN 80	EPDM	x	x	
810184GXXEGG065L	18	40"	DIN 11851 Male Part	DN 65	Silicone	x	-	x
810184GXXEGG080L	18	40"	DIN 11851 Male Part	DN 80	Silicone	x	-	
810184HXXEGG065L	18	40"	DIN 11851 Male Part	DN 65	EPDM	x	-	x
810184HXXEGG080L	18	40"	DIN 11851 Male Part	DN 80	EPDM	x	-	
810184GXXATT025L	18	40"	TC	2.5"	Silicone	x	x	x
810184GXXATT030L	18	40"	TC	3.0"	Silicone	x	x	
810184HXXATT025L	18	40"	TC	2.5"	EPDM	x	x	x
810184HXXATT030L	18	40"	TC	3.0"	EPDM	x	x	
810184GXXETT025L	18	40"	TC	2.5"	Silicone	x	-	x
810184GXXETT030L	18	40"	TC	3.0"	Silicone	x	-	
810184HXXETT025L	18	40"	TC	2.5"	EPDM	x	-	x
810184HXXETT030L	18	40"	TC	3.0"	EPDM	x	-	
810184GXXASS025L	18	40"	Welding Stubs	63.5 x 1.65	Silicone	x	x	x
810184GXXASS030L	18	40"	Welding Stubs	76.2 x 1.65	Silicone	x	x	
810184HXXASS025L	18	40"	Welding Stubs	63.5 x 1.65	EPDM	x	x	x
810184HXXASS030L	18	40"	Welding Stubs	76.2 x 1.65	EPDM	x	x	
810184GXXESS025L	18	40"	Welding Stubs	63.5 x 1.65	Silicone	x	-	x
810184GXXESS030L	18	40"	Welding Stubs	76.2 x 1.65	Silicone	x	-	
810184HXXESS025L	18	40"	Welding Stubs	63.5 x 1.65	EPDM	x	-	x
810184HXXESS030L	18	40"	Welding Stubs	76.2 x 1.65	EPDM	x	-	



XX = 25 (Adapter 25 / code 7)
 XX = 28 (Sartorius Adapter 28 tripple Bayonet)


SPARE PARTS				
POS.	DESCRIPTION	MATERIAL	PART NO.	Q.TY
1	HOUSING BOWL	AISI 316L	-	1
2	BOLT CLAMP M16	AISI 316Ti	8ZSL--0009	
3	O-RING d=7.00 ID=393.10	SILICONE	8ZDSC-0009	1
4	CARTRIDGE PLATE	AISI 316L		1
5	LEG	AISI 304	-	3
6	FOOT	AISI 304	-	3
7	CLAMP 3"	AISI 304	-	2
8.1	GASKET CLAMP 3"	PTFE	8ZDPC-0008	2
8.2	O-RING d=5.34 ID=110.50	SILICONE	-	2
9	INLET BEND	AISI 316L	-	1
10	OUTLET BEND	AISI 316L	-	1
11	PROTECTION PLATE	AISI 316L	-	1







AVT[®] FILTER HOUSING

PART NUMBER	
MODEL	"Q"
TYPE	
CARTRIDGE NO. x HIGH (inch)	"N"
CATEGORY 2014/68/EU	
VOLUME LITRES (V)	
PRESSURE(PS) min-max at TS=-20 / 40°C bar	-1 + 10 
PRESSURE(PS) min-max at TS=150°C bar	-1 + 4 
TEST PRESSURE(PT) bar	20
DESIGN TEMPERATURE (TS) min-max	-20 + 150°C
FLUID GROUP (2014/68/EU)	2
VESSEL MATERIAL	316L / 1.4404
YEAR OF MANUFACTURE	
VESSEL NUMBER	
ATEX CLASSIFICATION	II 2 GD IIC
ATEX CERTIFICATION	04.01 EX.02-X

 SEE USER MANUAL FOR MAX WORKING PRESSURE WITH NOT DANGEROUS GAS IN ACCORDANCE WITH 2014/68/EU

Fluid group 1 (dangerous) on request
article no., price & delivery time can be different.

DIMENSIONAL DATA							
CARTRIDGE x HEIGHT (N)	R mm	S mm	N mm	C mm	E mm	VOLUME liters (V)	PED Category
24 x 10"	465	455	-	970	290	73	II
24 x 20"	465	455	-	1220	540	112	II
24 x 30"	465	455	-	1470	790	151	III
24 x 40"	465	455	-	1720	1040	190	III

CLAMP							
Dimension [mm]	WITHOUT DRAIN			WITH DRAIN			
	A	L	Q	A	L	Q	
2.5" (63.5mm x 1.65mm) [Standard]	318	509	563	318	643	264	
3.0" (76.2mm x 1.65mm)	292	578	252	292	660	252	
4.0" (101.6mm x 2.11mm)	300	566	245	300	647	245	

DIN 11851 MALE PART							
Dimension [mm]	WITHOUT DRAIN			WITH DRAIN			
	A	L	Q	A	L	Q	
DN65 [Standard]	318	618	291	318	698	291	
DN80	331	616	295	331	696	295	
DN100	300	638	281	300	718	281	

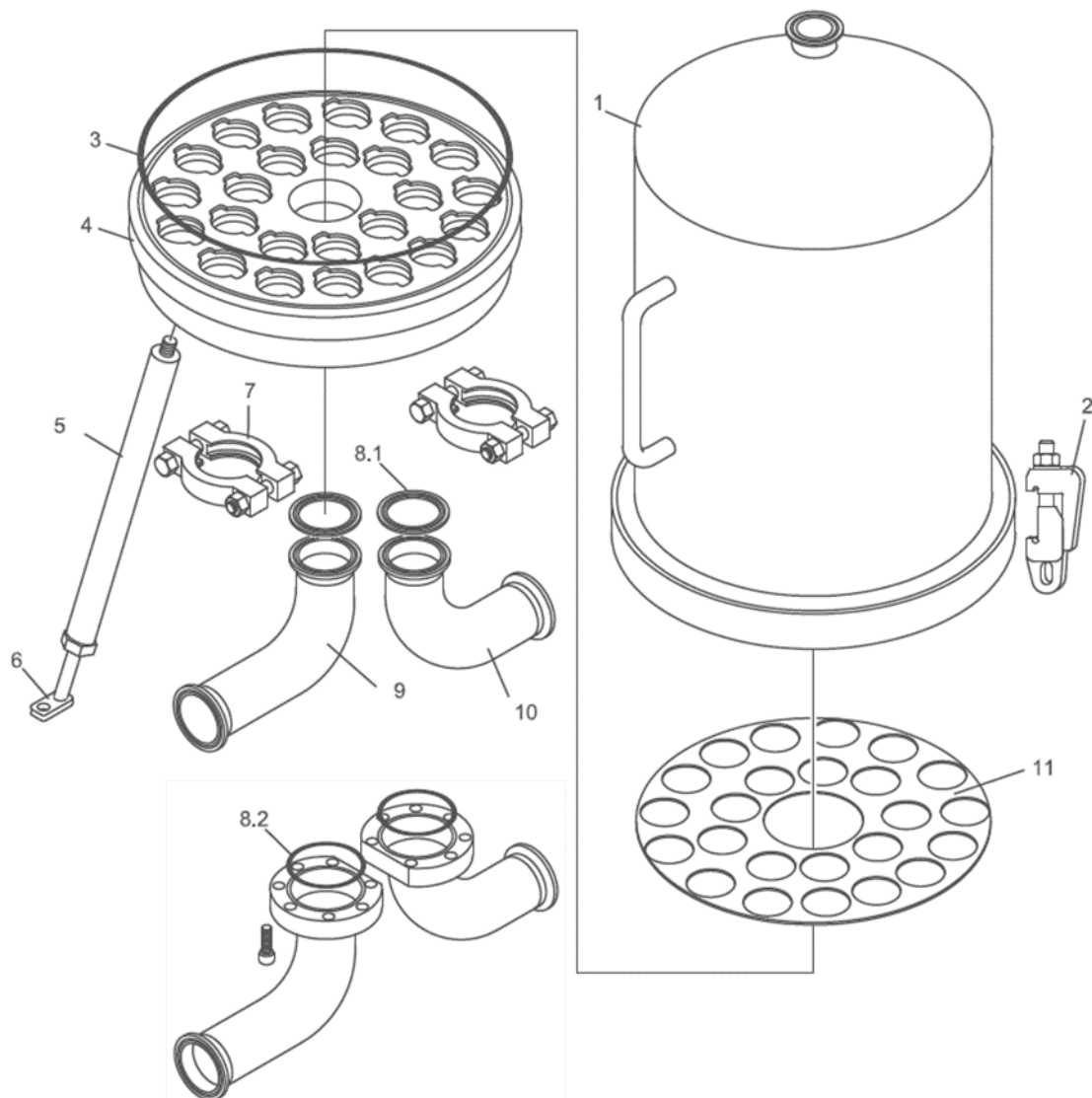
BUTT WELD ASME BPE							
Dimension [mm]	WITHOUT DRAIN			WITH DRAIN			
	A	B	Q	A	B	Q	
2.5" (63.5mm x 1.65mm) [Standard]	318	539	252	318	518	252	
3.0" (76.2mm x 1.65mm)	292	554	239	292	547	239	
DN4" (101.6mm x 2.11mm)	300	534	229	300	603	229	

PACKAGING SIZE AND WEIGHT				
CARTRIDGE x HEIGHT (N)	BOWL WEIGHT [kg]	TOTAL NET WEIGHT [kg]	PACKAGING SIZE [cm]	TOTAL WEIGHT PACKED [kg]
24 x 10"	18.0	88.0	80x63x64	95.0
24 x 20"	27.0	97.0	105x63x64	105.0
24 x 30"	35.0	105.0	130x63x64	113.0
24 x 40"	44.0	114.0	155x63x64	122.0

ORDER CODE AND TECHNICAL EQUIPMENT								
Order-no.	No. of Cartridges	Bowl Height	Connection	Nominal Diameter	Gasket	With Vent TC 1.5"	With Drain TC 1.5"	Standard Dimension
810243GXXAGG065L	24	30"	DIN 11851 Male Part	DN 65	Silicone	x	x	x
810243GXXAGG080L	24	30"	DIN 11851 Male Part	DN 80	Silicone	x	x	
810243GXXAGG100L	24	30"	DIN 11851 Male Part	DN 100	Silicone	x	x	
810243HXXAGG065L	24	30"	DIN 11851 Male Part	DN 65	EPDM	x	x	x
810243HXXAGG080L	24	30"	DIN 11851 Male Part	DN 80	EPDM	x	x	
810243HXXAGG100L	24	30"	DIN 11851 Male Part	DN 100	EPDM	x	x	
810243GXXEKG065L	24	30"	DIN 11851 Male Part	DN 65	Silicone	x	-	x
810243GXXEKG080L	24	30"	DIN 11851 Male Part	DN 80	Silicone	x	-	
810243GXXEKG100L	24	30"	DIN 11851 Male Part	DN 100	Silicone	x	-	
810243HXXEKG065L	24	30"	DIN 11851 Male Part	DN 65	EPDM	x	-	x
810243HXXEKG080L	24	30"	DIN 11851 Male Part	DN 80	EPDM	x	-	
810243HXXEKG100L	24	30"	DIN 11851 Male Part	DN 100	EPDM	x	-	
810243GXXATT025L	24	30"	TC	2,5"	Silicone	x	x	x
810243GXXATT030L	24	30"	TC	3"	Silicone	x	x	
810243GXXATT040L	24	30"	TC	4"	Silicone	x	x	
810243HXXATT025L	24	30"	TC	2,5"	EPDM	x	x	x
810243HXXATT030L	24	30"	TC	3"	EPDM	x	x	
810243HXXATT040L	24	30"	TC	4"	EPDM	x	x	
810243GXXETT025L	24	30"	TC	2,5"	Silicone	x	-	x
810243GXXETT030L	24	30"	TC	3"	Silicone	x	-	
810243GXXETT040L	24	30"	TC	4"	Silicone	x	-	
810243HXXETT025L	24	30"	TC	2,5"	EPDM	x	-	x
810243HXXETT030L	24	30"	TC	3"	EPDM	x	-	
810243HXXETT040L	24	30"	TC	4"	EPDM	x	-	
810243GXXASS025L	24	30"	Welding Stubs	63,5 x 1.65	Silicone	x	x	x
810243GXXASS030L	24	30"	Welding Stubs	76.2 x 1.65	Silicone	x	x	
810243GXXASS040L	24	30"	Welding Stubs	101.6 x 2.11	Silicone	x	x	
810243HXXASS025L	24	30"	Welding Stubs	63,5 x 1.65	EPDM	x	x	x
810243HXXASS030L	24	30"	Welding Stubs	76.2 x 1.65	EPDM	x	x	
810243HXXASS040L	24	30"	Welding Stubs	101.6 x 2.11	EPDM	x	x	
810243GXXEES025L	24	30"	Welding Stubs	63,5 x 1.65	Silicone	x	-	x
810243GXXEES030L	24	30"	Welding Stubs	76.2 x 1.65	Silicone	x	-	
810243GXXEES040L	24	30"	Welding Stubs	101.6 x 2.11	Silicone	x	-	
810243HXXEES025L	24	30"	Welding Stubs	63,5 x 1.65	EPDM	x	-	x
810243HXXEES030L	24	30"	Welding Stubs	76.2 x 1.65	EPDM	x	-	
810243HXXEES040L	24	30"	Welding Stubs	101.6 x 2.11	EPDM	x	-	

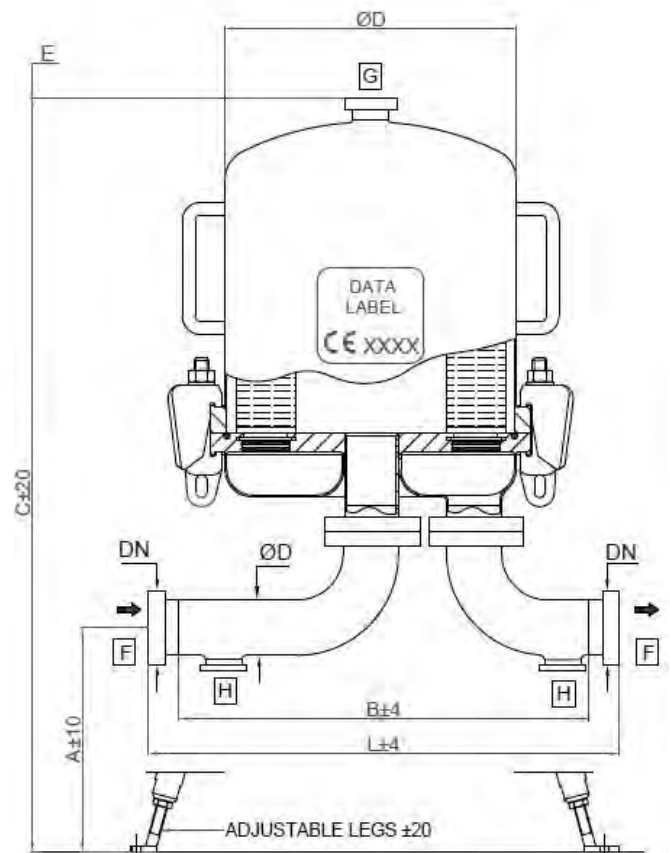
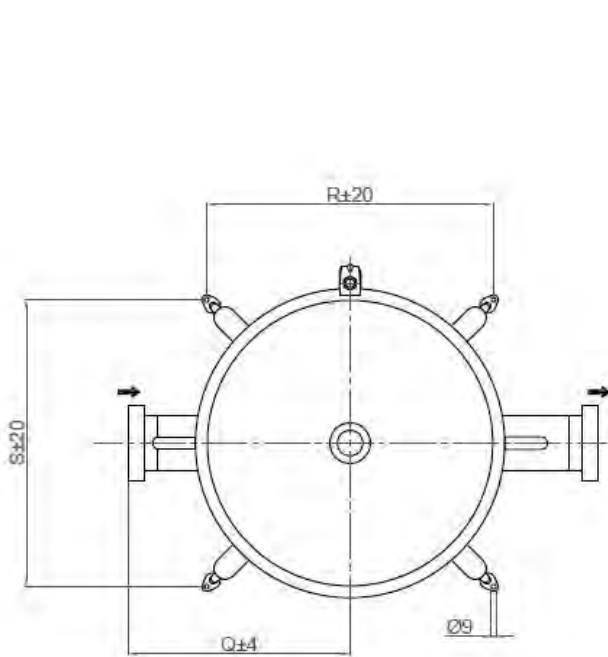
ORDER CODE AND TECHNICAL EQUIPMENT								
Order-no.	No. of Cartridges	Bowl Height	Connection	Nominal Diameter	Gasket	With Vent TC 1.5"	With Drain TC 1.5"	Standard Dimension
810244GXXAGG065L	24	40"	DIN 11851 Male Part	DN 65	Silicone	x	x	x
810244GXXAGG080L	24	40"	DIN 11851 Male Part	DN 80	Silicone	x	x	
810244GXXAGG100L	24	40"	DIN 11851 Male Part	DN 100	Silicone	x	x	
810244HXXAGG065L	24	40"	DIN 11851 Male Part	DN 65	EPDM	x	x	x
810244HXXAGG080L	24	40"	DIN 11851 Male Part	DN 80	EPDM	x	x	
810244HXXAGG100L	24	40"	DIN 11851 Male Part	DN 100	EPDM	x	x	
810244GXEGG065L	24	40"	DIN 11851 Male Part	DN 65	Silicone	x	-	x
810244GXEGG080L	24	40"	DIN 11851 Male Part	DN 80	Silicone	x	-	
810244GXEGG100L	24	40"	DIN 11851 Male Part	DN 100	Silicone	x	-	
810244HXXEGG065L	24	40"	DIN 11851 Male Part	DN 65	EPDM	x	-	x
810244HXXEGG080L	24	40"	DIN 11851 Male Part	DN 80	EPDM	x	-	
810244HXXEGG100L	24	40"	DIN 11851 Male Part	DN 100	EPDM	x	-	
810244GXXATT025L	24	40"	TC	2,5"	Silicone	x	x	x
810244GXXATT030L	24	40"	TC	3"	Silicone	x	x	
810244GXXATT040L	24	40"	TC	4"	Silicone	x	x	
810244HXXATT025L	24	40"	TC	2,5"	EPDM	x	x	x
810244HXXATT030L	24	40"	TC	3"	EPDM	x	x	
810244HXXATT040L	24	40"	TC	4"	EPDM	x	x	
810244GXETT025L	24	40"	TC	2,5"	Silicone	x	-	x
810244GXETT030L	24	40"	TC	3"	Silicone	x	-	
810244GXETT040L	24	40"	TC	4"	Silicone	x	-	
810244HXXETT025L	24	40"	TC	2,5"	EPDM	x	-	x
810244HXXETT030L	24	40"	TC	3"	EPDM	x	-	
810244HXXETT040L	24	40"	TC	4"	EPDM	x	-	
810244GXXASS025L	24	40"	Welding Stubs	63,5 x 1.65	Silicone	x	x	x
810244GXXASS030L	24	40"	Welding Stubs	76.2 x 1.65	Silicone	x	x	
810244GXXASS040L	24	40"	Welding Stubs	101.6 x 2.11	Silicone	x	x	
810244HXXASS025L	24	40"	Welding Stubs	63,5 x 1.65	EPDM	x	x	x
810244HXXASS030L	24	40"	Welding Stubs	76.2 x 1.65	EPDM	x	x	
810244HXXASS040L	24	40"	Welding Stubs	101.6 x 2.11	EPDM	x	x	
810244GXESS025L	24	40"	Welding Stubs	63,5 x 1.65	Silicone	x	-	x
810244GXESS030L	24	40"	Welding Stubs	76.2 x 1.65	Silicone	x	-	
810244GXESS040L	24	40"	Welding Stubs	101.6 x 2.11	Silicone	x	-	
810244HXXESS025L	24	40"	Welding Stubs	63,5 x 1.65	EPDM	x	-	x
810244HXXESS030L	24	40"	Welding Stubs	76.2 x 1.65	EPDM	x	-	
810244HXXESS040L	24	40"	Welding Stubs	101.6 x 2.11	EPDM	x	-	

SPARE PARTS				
POS.	DESCRIPTION	MATERIAL	PART NO.	Q.TY
1	HOUSING BOWL	AISI 316L	-	1
2	BOLT CLAMP M16	AISI 316Ti	8ZSL--0009	
3	O-RING d=7.00 ID=443.40	SILICONE	8ZDSC-0010	1
4	CARTRIDGE PLATE	AISI 316L		1
5	LEG	AISI 304	-	4
6	FOOT	AISI 304	-	4
7	CLAMP 4"	AISI 304	-	2
8.1	GASKET CLAMP 4"	PTFE	8ZDPC-0001	2
8.2	O-RING d=5.34 ID=136.50	SILICONE	8ZDSC-0011	2
9	INLET BEND	AISI 316L	-	1
10	OUTLET BEND	AISI 316L	-	1
11	PROTECTION PLATE	AISI 316L	-	1



FILTER SERIES 810 - 30-ROUND LIQUID HOUSING


HOUSING STYLE - T-TYPE - Series VHP



AVT[®] FILTER HOUSING

PART NUMBER	
MODEL	"Q"
TYPE	
CARTRIDGE NO. x HIGH (inch)	"N"
CATEGORY 2014/68/EU	
VOLUME LITRES (V)	
PRESSURE(PS) min-max at TS=-20 / 40°C bar	-1 + 10 Δ
PRESSURE(PS) min-max at TS=150°C bar	-1 + 4 Δ
TEST PRESSURE(PT) bar	20
DESIGN TEMPERATURE (TS) min-max	-20 + 150°C
FLUID GROUP (2014/68/EU)	2
VESSEL MATERIAL	316L / 1.4404
YEAR OF MANUFACTURE	
VESSEL NUMBER	
ATEX CLASSIFICATION	II 2 GD IIC
ATEX CERTIFICATION	04.01 EX.02-X

Δ SEE USER MANUAL FOR MAX WORKING PRESSURE WITH NOT DANGEROUS GAS IN ACCORDANCE WITH 2014/68/EU

CE XXXX 

Fluid group 1 (dangerous) on request
article no., price & delivery time can be different.

DIMENSIONAL DATA							
CARTRIDGE x HEIGHT (N)	R mm	S mm	N mm	C mm	E mm	VOLUME liters (V)	PED Category
30 x 10"	550	550	-	1000	290	118	III
30 x 20"	550	550	-	1250	540	176	III
30 x 30"	550	550	-	1500	790	235	III
30 x 40"	550	550	-	1750	1040	293	III

CLAMP							
	WITHOUT DRAIN			WITH DRAIN			
Dimension [mm]	A	L	Q	A	L	Q	
3.0" (76.2mm x 1.65mm) [Standard]	292	685	323	292	765	323	
4.0" (101.6mm x 2.11mm)	300	662	306	30	742	306	

DIN 11851 MALE PART							
	WITHOUT DRAIN			WITH DRAIN			
Dimension [mm]	A	L	Q	A	L	Q	
DN80 [Standard]	331	712	356	331	792	356	
DN100	300	734	342	300	814	342	

BUTT WELD ASME BPE							
	WITHOUT DRAIN			WITH DRAIN			
Dimension [mm]	A	B	Q	A	B	Q	
3.0" (76.2mm x 1.65mm) [Standard]	292	660	310	292	740	310	
DN 4.0" (101.6mm x 2.11mm)	300	630	290	300	710	290	

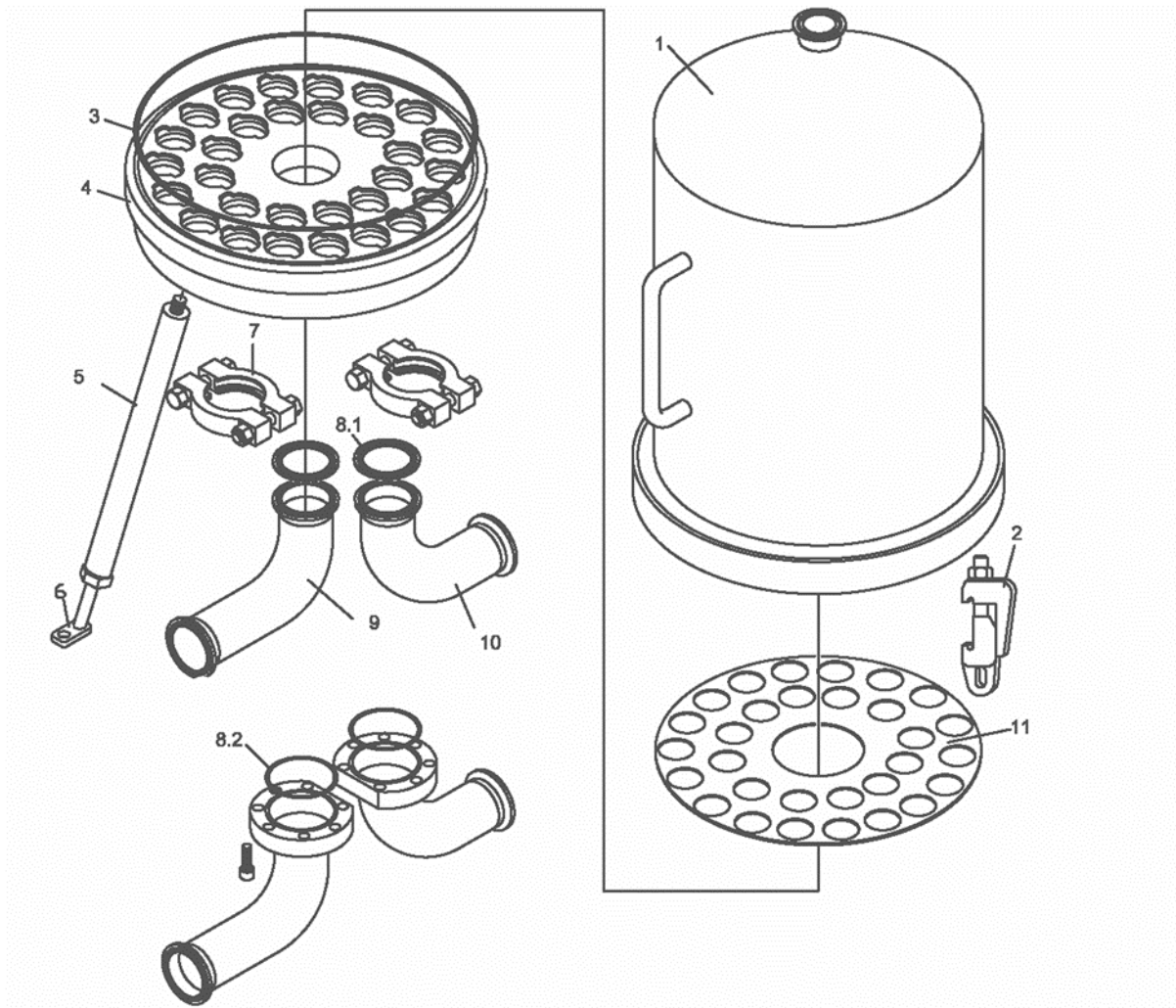
PACKAGING SIZE AND WEIGHT				
CARTRIDGE x HEIGHT (N)	BOWL WEIGHT [kg]	TOTAL NET WEIGHT [kg]	PACKAGING SIZE [cm]	TOTAL WEIGHT PACKED [kg]
30 x 10"	28.0	93.0	80x100x78	112.0
30 x 20"	38.0	101.0	105x100x78	121.0
30 x 30"	48.0	109.0	130x100x78	131.0
30 x 40"	58.0	117.0	155x100x78	140.0

HOUSING STYLE - T-TYPE - Series VHP

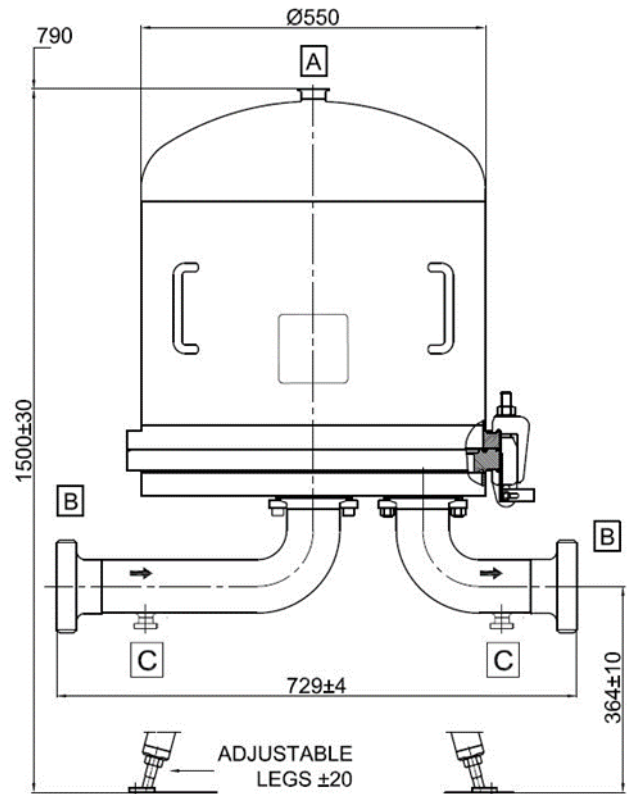
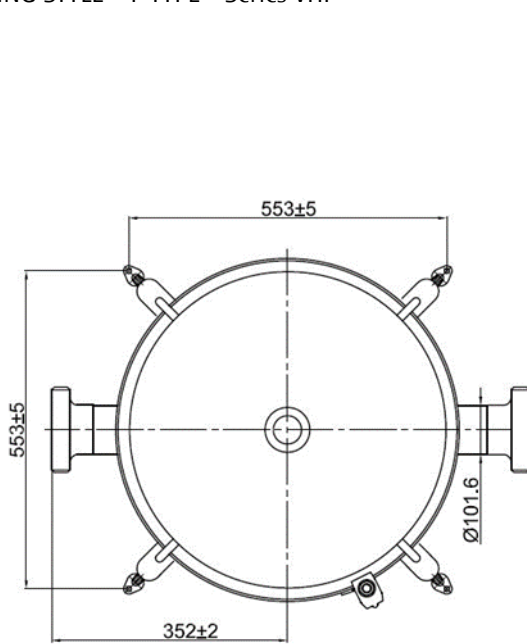
ORDER CODE AND TECHNICAL EQUIPMENT								
Order-no.	No. of Cartridges	Bowl Height	Connection	Nominal Diameter	Gasket	With Vent TC 1.5"	With Drain TC 1.5"	Standard Dimension
810303GXXAGG080L	30	30"	DIN 11851 Male Part	DN 80	Silicone	x	x	x
810303GXXAGG100L	30	30"	DIN 11851 Male Part	DN 100	Silicone	x	x	
810303HXXAGG080L	30	30"	DIN 11851 Male Part	DN 80	EPDM	x	x	x
810303HXXAGG100L	30	30"	DIN 11851 Male Part	DN 100	EPDM	x	x	
810303GXXEGG080L	30	30"	DIN 11851 Male Part	DN 80	Silicone	x	-	x
810303GXXEGG100L	30	30"	DIN 11851 Male Part	DN 100	Silicone	x	-	
810303HXXEGG080L	30	30"	DIN 11851 Male Part	DN 80	EPDM	x	-	x
810303HXXEGG100L	30	30"	DIN 11851 Male Part	DN 100	EPDM	x	-	
810303GXXATT030L	30	30"	TC	3.0"	Silicone	x	x	x
810303GXXATT040L	30	30"	TC	4.0"	Silicone	x	x	
810303HXXATT030L	30	30"	TC	3.0"	EPDM	x	x	x
810303HXXATT040L	30	30"	TC	4.0"	EPDM	x	x	
810303GXXETT030L	30	30"	TC	3.0"	Silicone	x	-	x
810303GXXETT040L	30	30"	TC	4.0"	Silicone	x	-	
810303HXXETT030L	30	30"	TC	3.0"	EPDM	x	-	x
810303HXXETT040L	30	30"	TC	4.0"	EPDM	x	-	
810303GXXASS030L	30	30"	Welding Stubs	76.2 x 1.65	Silicone	x	x	x
810303GXXASS040L	30	30"	Welding Stubs	101.6 x 1.65	Silicone	x	x	
810303HXXASS030L	30	30"	Welding Stubs	76.2 x 1.65	EPDM	x	x	x
810303HXXASS040L	30	30"	Welding Stubs	101.6 x 1.65	EPDM	x	x	
810303GXXESS030L	30	30"	Welding Stubs	76.2 x 1.65	Silicone	x	-	x
810303GXXESS040L	30	30"	Welding Stubs	101.6 x 1.65	Silicone	x	-	
810303HXXESS030L	30	30"	Welding Stubs	76.2 x 1.65	EPDM	x	-	x
810303HXXESS040L	30	30"	Welding Stubs	101.6 x 1.65	EPDM	x	-	
810304GXXAGG080L	30	40"	DIN 11851 Male Part	DN 80	Silicone	x	x	x
810304GXXAGG100L	30	40"	DIN 11851 Male Part	DN 100	Silicone	x	x	
810304HXXAGG080L	30	40"	DIN 11851 Male Part	DN 80	EPDM	x	x	x
810304HXXAGG100L	30	40"	DIN 11851 Male Part	DN 100	EPDM	x	x	
810304GXXEGG080L	30	40"	DIN 11851 Male Part	DN 80	Silicone	x	-	x
810304GXXEGG100L	30	40"	DIN 11851 Male Part	DN 100	Silicone	x	-	
810304HXXEGG080L	30	40"	DIN 11851 Male Part	DN 80	EPDM	x	-	x
810304HXXEGG100L	30	40"	DIN 11851 Male Part	DN 100	EPDM	x	-	
810304GXXATT030L	30	40"	TC	3.0"	Silicone	x	x	x
810304GXXATT040L	30	40"	TC	4.0"	Silicone	x	x	
810304HXXATT030L	30	40"	TC	3.0"	EPDM	x	x	x
810304HXXATT040L	30	40"	TC	4.0"	EPDM	x	x	
810304GXXETT030L	30	40"	TC	3.0"	Silicone	x	-	x
810304GXXETT040L	30	40"	TC	4.0"	Silicone	x	-	
810304HXXETT030L	30	40"	TC	3.0"	EPDM	x	-	x
810304HXXETT030L	30	40"	TC	4.0"	EPDM	x	-	
810304GXXASS030L	30	40"	Welding Stubs	76.2 x 1.65	Silicone	x	x	x
810304GXXASS040L	30	40"	Welding Stubs	101.6 x 1.65	Silicone	x	x	
810304HXXASS030L	30	40"	Welding Stubs	76.2 x 1.65	EPDM	x	x	x
810304HXXASS040L	30	40"	Welding Stubs	101.6 x 1.65	EPDM	x	x	
810304GXXESS030L	30	40"	Welding Stubs	76.2 x 1.65	Silicone	x	-	x
810304GXXESS040L	30	40"	Welding Stubs	101.6 x 1.65	Silicone	x	-	
810304HXXESS030L	30	40"	Welding Stubs	76.2 x 1.65	EPDM	x	-	x
810304HXXESS040L	30	40"	Welding Stubs	101.6 x 1.65	EPDM	x	-	


XX = 25 (Adapter 25 / code 7)
 XX = 28 (Sartorius Adapter 28 tripple Bayonet)

SPARE PARTS				
POS.	DESCRIPTION	MATERIAL	PART NO.	Q.TY
1	HOUSING BOWL	AISI 316L	-	1
2	BOLT CLAMP M16	AISI 316Ti	8ZSL--0009	
3	O-RING d=7.00 ID=532.30	SILICONE	8ZDSC-0012	1
4	CARTRIDGE PLATE	AISI 316L	-	1
5	LEG	AISI 304	-	4
6	FOOT	AISI 304	-	4
7	CLAMP 4"	AISI 304	-	2
8.1	GASKET CLAMP 4"	PTFE	8ZDPC-0001	2
8.2	O-RING d=5.34 ID=164.46	SILICONE	8ZDSC-0013	2
9	INLET BEND	AISI 316L	-	1
10	OUTLET BEND	AISI 316L	-	1
11	PROTECTION PLATE	AISI 316L	-	1



HOUSING STYLE - T-TYPE - Series VHP





FILTER HOUSING

PART NUMBER

MODEL

TYPE

CARTRIDGE NO. x HIGH (Inch)

CATEGORY 2014/68/EU

VOLUME LITRES (V)

PRESSURE(PS) min-max at TS=-20+40°C bar -1 + 10

PRESSURE(PS) min-max at TS=-20+150°C bar -1 + 4

TEST PRESSURE(PT) bar **20**

DESIGN TEMPERATURE (TS) min-max -20 + 150°C

FLUID GROUP (Art.13 - 2014/68/EU) **2 - NOT DANG.**

VESSEL MATERIAL 316L / 1.4404



PHISICAL STATE LIQUID / GAS

YEAR OF MANUFACTURE

VESSEL NUMBER

ATEX CLASSIFICATION II 2 GD IIC

ATEX CERTIFICATION 04.01 EX.02-X

TECHNICAL DATA	
VESSEL RANGE	PRM
NO. CARTRIDGED x HEIGHT	36 x 30"
CARTRIDGE SOCKET	226 CODE 7
ATEX REGULATION	GROUP 2 - Cat 2 GAS&DUST FLUID GR IIC zone 1&t21
DESIGN CODE	DIN EN 13445
CERTIFICATION	PED 2014/68/EU
PED CATEGORY	III
DESIGN PRESSURE -20°C +40°C (PS)	-1bar...+10bar
DESIGN PRESSURE -20°C +150°C (PS)	-1bar...+4bar
DESIGN TEMP. MIN-MAX (TS)	-20°C...+150°C
VESSEL MATERIAL	316L / 1.4404
TEST PRESSURE (PT)	20 bar
TOTAL VESSEL VOLUME liters (V)	235
FLUIDGROUP	2
PHYSICAL STATE	LIQUID / GAS
SEALS MATERIAL	SILICONE
INTERNAL FINISH	MECHANICAL POLISHING
INTERNAL ROUGHNESS	RA <0.8 MICRON
EXTERNAL FINISH	MECHANICAL POLISHING
VENT CONNECTION A	CLAMP ASME 1.5"
IN/OUT CONNECTION B	DIN11851-DN100 MALE PART
DRAIN CONNECTION C	CLAMP ASME 1.5"

Fluid group 1 (dangerous) on request
 article no., price & delivery time can be differ.

ORDER CODE AND TECHNICAL EQUIPMENT								
Order-no.	No. of Cartridges	Bowl Height	Connection	Nominal Diameter	Gasket	With Vent TC 1.5"	With Drain TC 1.5"	Standard Diameter
810363GXXEGG100L	36	30"	DIN 11851 Male Part	DN 100	Silicone	x	-	x
810363GXXAGG100L	36	30"	DIN 11851 Male Part	DN 100	Silicone	x	x	
810363HXXEGG100L	36	30"	DIN 11851 Male Part	DN 100	EPDM	x	-	x
810363HXXAGG100L	36	30"	DIN 11851 Male Part	DN 100	EPDM	x	x	



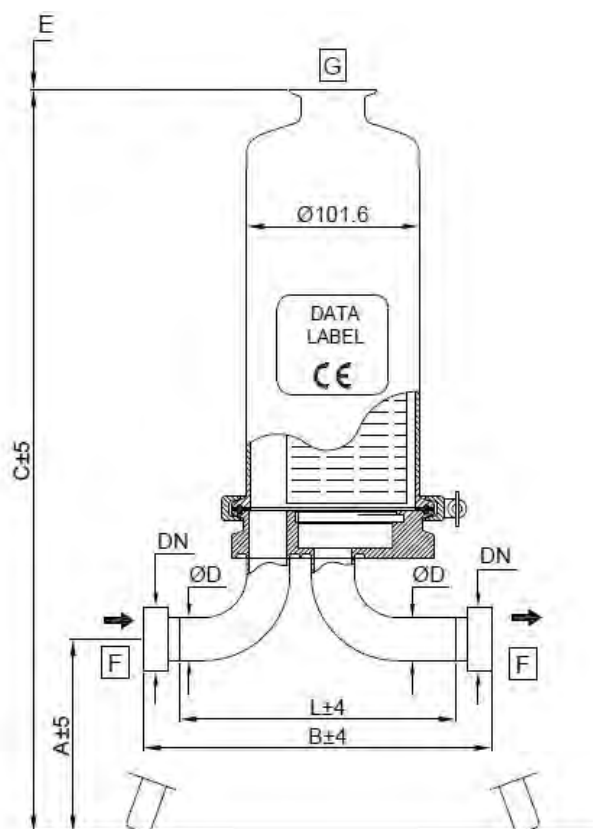
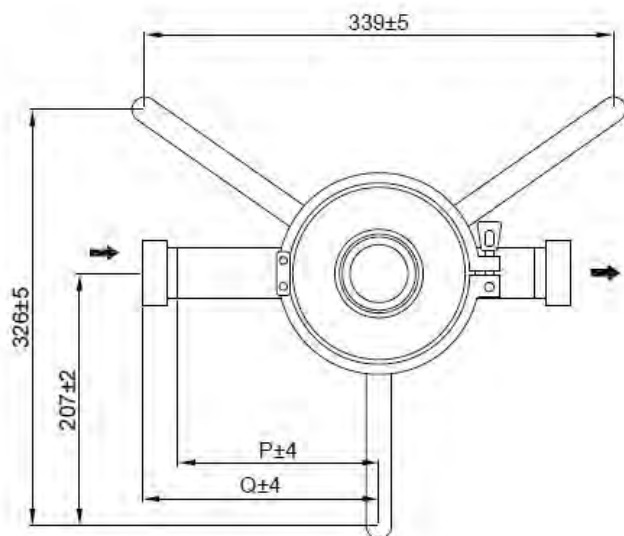
Type 810

Fluid group 1 (dangerous)
Series SH



FILTER SERIES 810 - 01-ROUND LIQUID HOUSING

HOUSING STYLE - T-TYPE - Series SH - DSH Ver. 08

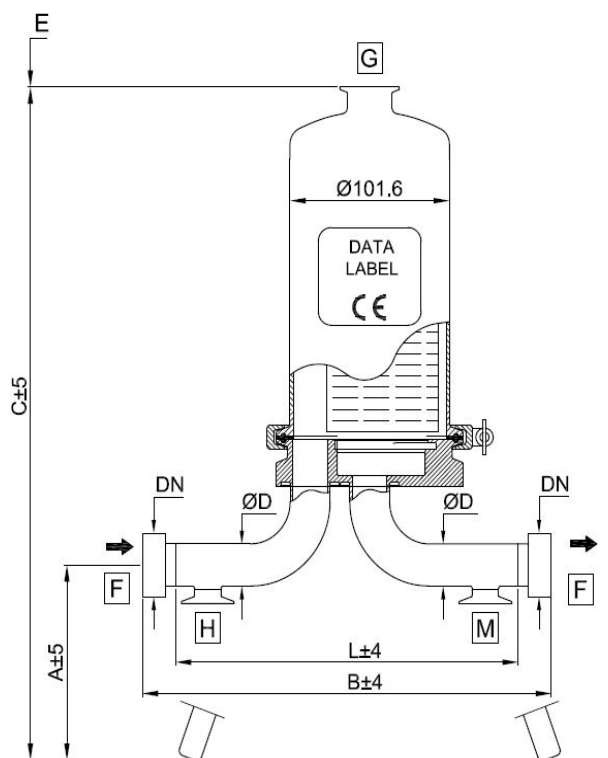


TECHNICAL DATA

VESSEL MODEL	SH - SANITARY
NO. CARTRIDGES	01
DESIGN CODE	AD MERKBLATT
CERTIFICATION	2014/68/EU
FLUID GROUP	1 - 2 (DANGEROUS AND NOT)
PED CATEGORY	I
DESIGN PRESSURE (PS)	10 bar
TEST PRESSURE (PT)	14.5 bar
VESSEL MATERIAL	316L / 1.4404
SEALS MATERIAL	SILICONE FDA BGA APPROVED
INTERNAL FINISHING	MECHANICAL POLISHING
INTERNAL ROUGHTNESS	RA<0.8 MICRON
EXTERNAL FINISHING	MECHANICAL POLISHING
VENT CONNECTION [G]	CLAMP 1.5"

VESSEL TYPE	SH011	SH012	SH013	SH014
CARTRIDGES HEIGHT	10"	20"	30"	40"
C mm	790	1040	1290	1540
E mm	300	550	800	1050
TOTAL VESSEL VOLUME litres (V)	3.0	4.8	6.7	8.6
BOWL WEIGHT kg	2.0	4.3	4.6	5.9
TOTAL NET WEIGHT kg	7.0	8.2	9.4	10.6
PACKAGING SIZE CM30x27x	112	112	112	127
TOTAL WEIGHT PACKED kg	8.0	9.5	11.0	13.0

WORKING CONDITIONS 2014/68/EU MAX PRESSURE bar						
FLUID GROUP	STATE	TEMPERAT.	SH011	SH012	SH013	SH014
DANGEROUS	LIQUID	0 - 40° C	10.0	10.0	10.0	10.0
DANGEROUS	LIQUID	150° C	7.5	7.5	7.5	7.5
DANGEROUS	GAS/VAPOR	0 - 40° C	10.0	10.0	7.4	5.8
DANGEROUS	GAS/VAPOR	150° C	7.5	7.5	7.4	5.8
NOT DANGER.	LIQUID	0 - 40° C	10.0	10.0	10.0	10.0
NOT DANGER.	LIQUID	150° C	7.5	7.5	7.5	7.5
NOT DANGER.	GAS/VAPOR	0 - 40° C	10.0	10.0	10.0	10.0
NOT DANGER.	GAS/VAPOR	150° C	7.5	7.5	7.5	7.5



FILTER SERIES 810 - 01-ROUND LIQUID HOUSING

HOUSING STYLE - T-TYPE - Series SH - DSH Ver. 08

DIMENSIONAL DATA					
CARTRIDGE x HEIGHT (N)	C mm	E mm	VOLUME liters (V)	PED Category	Fluid Group
01 x 10"	790	300	3.0	I	1 (dangerous)
01 x 20"	1040	550	4.8	I	1 (dangerous)
01 x 30"	1290	800	6.7	II	1 (dangerous)
01 x 40"	1540	1050	8.6	II	1 (dangerous)

CLAMP						
	WITHOUT DRAIN			WITH DRAIN		
Dimension [mm]	A	B	Q	A	B	Q
1.0" (25.4mm x 1.65mm)	375	189	104	375	270	154
1.5" (38,1mm x 1.65mm)	355	220	122	355	370	198

DIN 11851 MALE PART						
	WITHOUT DRAIN			WITH DRAIN		
Dimension [mm]	A	B	Q	A	B	Q
DN25 (25.4mm x 1.65mm)	375	221	120	375	302	170
DN40 (38,1mm x 1.65mm)	355	258	144	355	415	217

BUTT WELD ASME BPE						
	WITHOUT DRAIN			WITH DRAIN		
Dimension [mm]	A	L	P	A	L	P
1.0" (25.4mm x 1.65mm)	375	163	91	375	244	141
1.5" (38.1mm x 1.65mm)	355	194	112	355	345	185

SMS MALE PART						
	WITHOUT DRAIN			WITH DRAIN		
Dimension [mm]	A	B	Q	A	B	Q
1.0" (25.4mm x 1.65mm)	375	203	111	375	284	161
1.5" (38,1mm x 1.65mm)	355	240	133	355	391	208

ORDER CODE AND TECHNICAL EQUIPMENT							
Order-no.	No. of Cartridges	Bowl Height	Connection	Nominal Diameter	Gasket	With Vent TC 1.5"	With Drain TC 1.0"
81001XA25LGG025L	01	10"-40"	DIN 11851 Male Part	DN 25	Silicone	x	x
81001XA25KGG025L	01	10"-40"	DIN 11851 Male Part	DN 25	Silicone	x	-
81001XA25LGG040L	01	10"-40"	DIN 11851 Male Part	DN 40	Silicone	x	x
81001XA25KGG040L	01	10"-40"	DIN 11851 Male Part	DN 40	Silicone	x	-
81001XA25LTT010L	01	10"-40"	TC	1"	Silicone	x	x
81001XA25KTT015L	01	10"-40"	TC	1.5"	Silicone	x	-
81001XA25LTT010L	01	10"-40"	TC	1"	Silicone	x	x
81001XA25KTT015L	01	10"-40"	TC	1.5"	Silicone	x	-
81001XA25LSS010L	01	10"-40"	Welding Stubs	25.4 x 1.65	Silicone	x	x
81001XA25KSS015L	01	10"-40"	Welding Stubs	38.1 x 1.65	Silicone	x	-
81001XA25LSS010L	01	10"-40"	Welding Stubs	25.4 x 1.65	Silicone	x	x
81001XA25KSS015L	01	10"-40"	Welding Stubs	38.1 x 1.65	Silicone	x	-
810011X25LMM010L	01	10"-40"	SMS - Male part	25.4 x 1.65	Silicone	x	x
810011X25KMM015L	01	10"-40"	SMS - Male part	38.1 x 1.65	Silicone	x	-
810011X25LMM010L	01	10"-40"	SMS - Male part	25.4 x 1.65	Silicone	x	x
810011X25KMM015L	01	10"-40"	SMS - Male part	38.1 x 1.65	Silicone	x	-

„X“ = Placeholder for the bowl height:

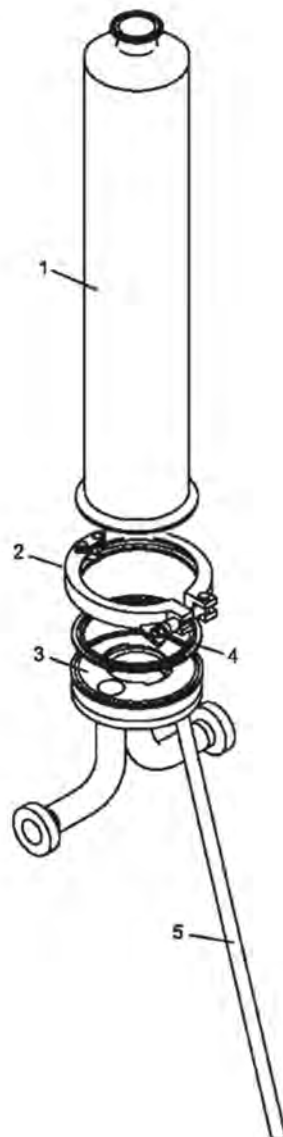
1 = 10"

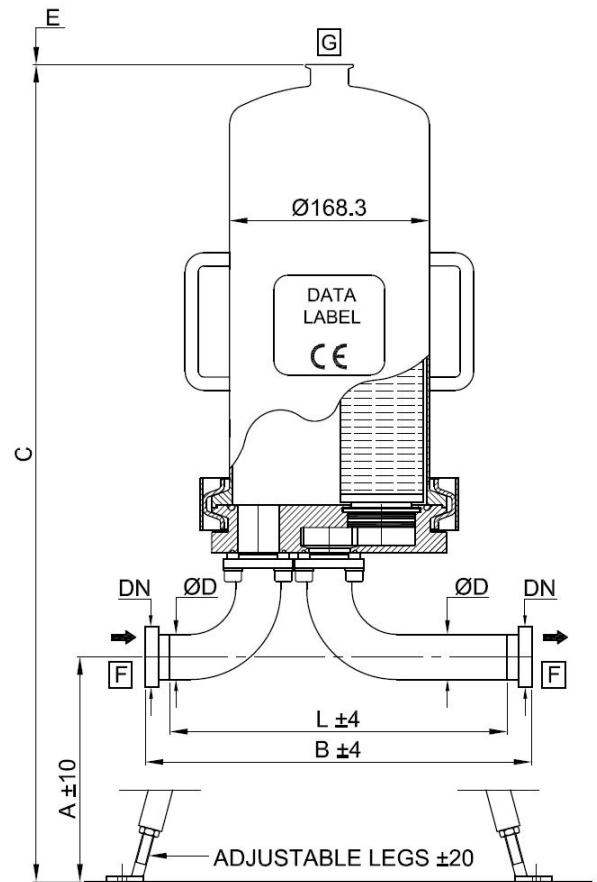
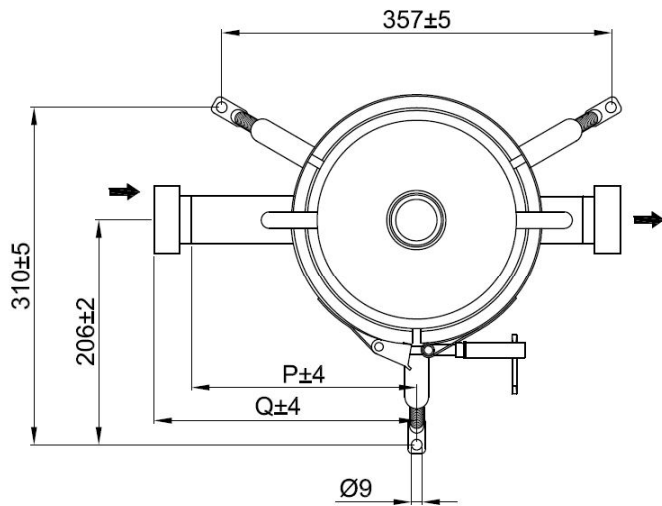
2 = 20"

3 = 30"

4 = 40"

SPARE PARTS				
POS.	DESCRIPTION	MATERIAL	PART NO.	Q.TY
1	HOUSING BOWL	AISI 316L	-	1
2	CLAMP 4"	AISI 304	8ZSLA-0002	1
3	CARTRIDGES PLATE + BENDS	AISI 316L	-	1
4	GASKET CLAMP 4"	SILICONE	8ZDSC-0001	1
5	LEG	AISI 304	-	3



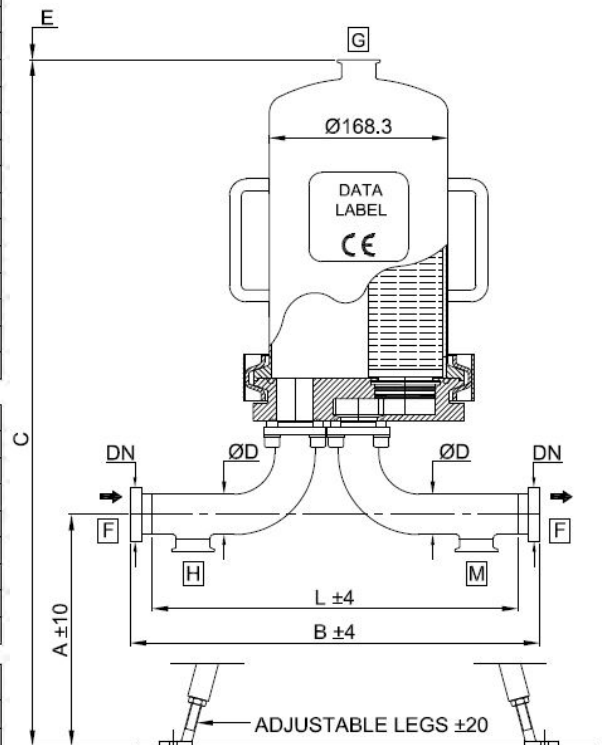

TECHNICAL DATA

VESSEL MODEL	SH - SANITARY
NO. CARTRIDGES	03
DESIGN CODE	AD MERKBLATT
CERTIFICATION	2014/68/EU
FLUID GROUP	1 - 2 (DANGEROUS AND NOT)
PED CATEGORY	I
DESIGN PRESSURE (PS)	10 bar
TEST PRESSURE (PT)	14.5 bar
VESSEL MATERIAL	316L / 1.4404
SEALS MATERIAL	SILICONE FDA BGA APPROVED
INTERNAL FINISHING	MECHANICAL POLISHING
INTERNAL ROUGHNESS	RA<0.8 MICRON
EXTERNAL FINISHING	MECHANICAL POLISHING
VENT CONNECTION [G]	CLAMP 1.5"

VESSEL TYPE	SH031	SH032	SH033	SH034
CARTRIDGES HEIGHT	10"	20"	30"	40"
C mm	816	1065	1314	1564
E mm	290	540	790	1040
TOTAL VESSEL VOLUME litres (V)	7.3	12.6	17.8	23.1
BOWL WEIGHT kg	4.0	6.0	8.0	10.0
TOTAL NET WEIGHT kg	17.4	19.4	21.4	23.4
PACKAGING SIZE CM40x40x	75	100	116	138
TOTAL WEIGHT PACKED kg	23.0	25.0	27.0	29.0

WORKING CONDITIONS 2014/68/EU MAX PRESSURE bar

FLUID GROUP	STATE	TEMPERAT.	SH031	SH032	SH033	SH034
DANGEROUS	LIQUID	0 - 40° C	10.0	10.0	10.0	10.0
DANGEROUS	LIQUID	150° C	7.5	7.5	7.5	7.5
DANGEROUS	GAS/VAPOR	0 - 150° C	6.8	3.9	2.8	2.1
NOT DANGER.	LIQUID	0 - 40° C	10.0	10.0	10.0	10.0
NOT DANGER.	LIQUID	150° C	7.5	7.5	7.5	7.5
NOT DANGER.	GAS/VAPOR	0 - 40° C	10.0	10.0	10.0	8.6
NOT DANGER.	GAS/VAPOR	150° C	7.5	7.5	7.5	7.5



DIMENSIONAL DATA					
CARTRIDGE x HEIGHT (N)	C mm	E mm	VOLUME liters (V)	PED Category	Fluid Group
03 x 10"	816	290	7.3	II	1 (dangerous)
03 x 20"	1065	540	12.6	II	1 (dangerous)
03 x 30"	1314	790	17.8	II	1 (dangerous)
03 x 40"	1564	1040	23.1	III	1 (dangerous)

CLAMP						
	WITHOUT DRAIN			WITH DRAIN		
Dimension [mm]	A	B	Q	A	B	Q
1.5" (38.1mm x 1.65mm)	345	310	148	345	385	223

DIN 11851 MALE PART						
	WITHOUT DRAIN			WITH DRAIN		
Dimension [mm]	A	B	Q	A	B	Q
DN40 (38.1mm x 1.65mm)	345	351	168	345	426	243

BUTT WELD ASME BPE						
	WITHOUT DRAIN			WITH DRAIN		
Dimension [mm]	A	L	P	A	L	P
1.5" (38.1mm x 1.65mm)	345	285	135	345	360	210

SMS MALE PART						
	WITHOUT DRAIN			WITH DRAIN		
Dimension [mm]	A	B	Q	A	B	Q
1.5" (38,1mm x 1.65mm)	345	331	158	345	406	233

Please Note

In filter housings with a flange connection at the in- and outlet e.g. DIN-EN1092-1, ANSI, etc. the bends will be welded directly to the baseplate, instead of the standard flange connection described in the detailed drawing.

ORDER CODE AND TECHNICAL EQUIPMENT							
Order-no.	No. of Cartridges	Bowl Height	Connection	Nominal Diameter	Gasket	With Vent TC 1.5"	With Drain TC 1.5"
81003XA25LGG040L	03	10"-40"	DIN 11851 Male Part	DN 40	Silicone	x	x
81003XA25KGG040L	03	10"-40"	DIN 11851 Male Part	DN 40	Silicone	x	-
81003XA25LTT015L	03	10"-40"	TC	1.5"	Silicone	x	x
81003XA25KTT015L	03	10"-40"	TC	1.5"	Silicone	x	-
81003XA25LSS015L	03	10"-40"	Welding Stubs	38.1 x 1.65	Silicone	x	x
81003XA25KSS015L	03	10"-40"	Welding Stubs	38.1 x 1.65	Silicone	x	-
81003XA25LMM015L	03	10"-40"	SMS - Male part	38.1 x 1.65	Silicone	x	x
81003XA25KMM015L	03	10"-40"	SMS - Male part	38.1 x 1.65	Silicone	x	-

„X“ = Placeholder for the bowl height:

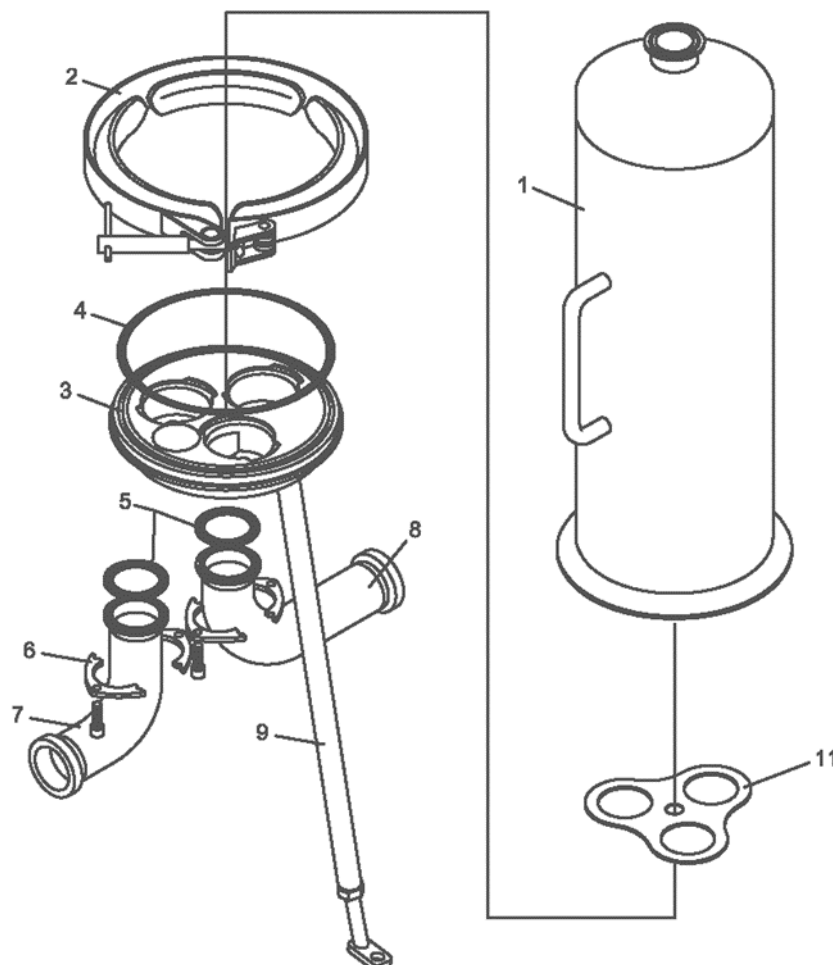
1 = 10"

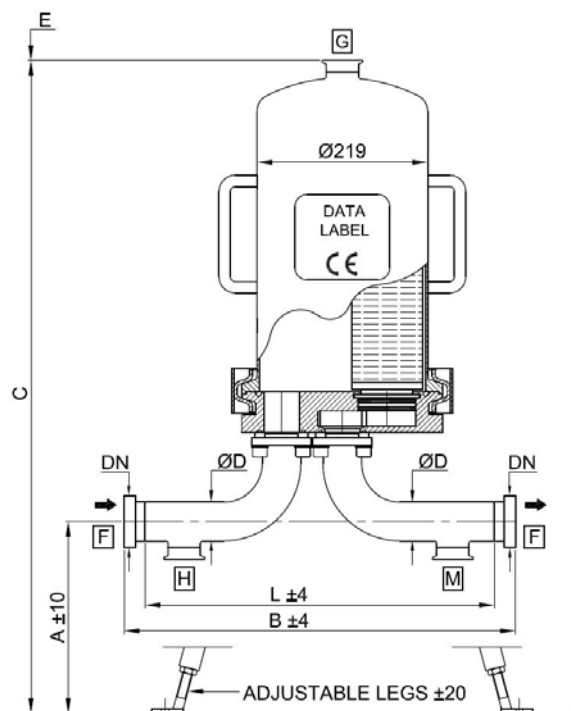
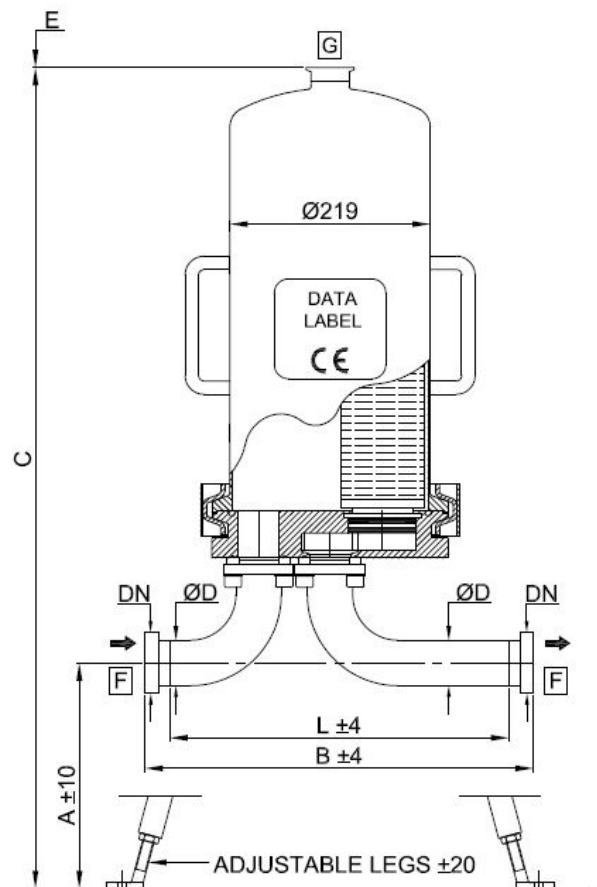
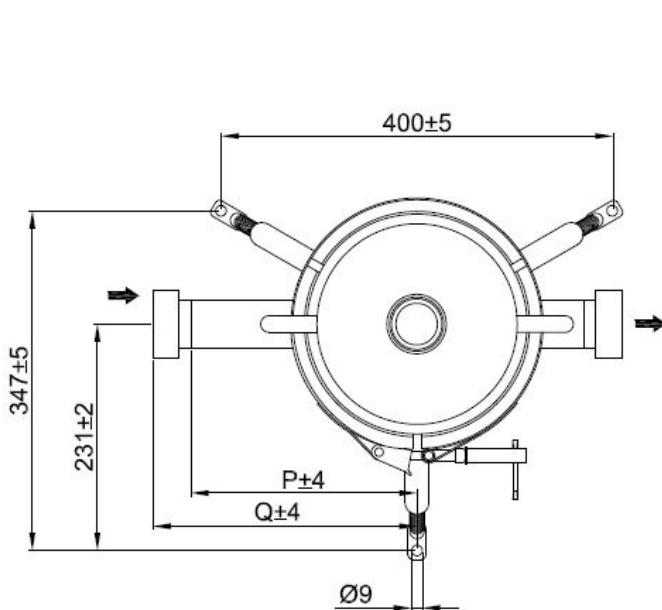
2 = 20"

3 = 30"

4 = 40"

SPARE PARTS				
POS.	DESCRIPTION	MATERIAL	PART NO.	Q.TY
1	HOUSING BOWL	AISI 316L	-	1
2	V-BAND	AISI 304	8ZSLA-0003	1
3	CARTRIDGE PLATE	AISI 316L	-	1
4	O-RING d=5.35 ID=158.11	SILICONE	8ZDSC-0002	1
5	GASKET CLAMP 1.5"	PTFE	8ZDPC-0003	2
6	BEND FLANGE	AISI 304	-	4
7	INLET BEND	AISI 316L	-	1
8	OUTLET BEND	AISI 316L	-	1
9	COMPLETE LEG	AISI 304	-	3
11	PROTECTION PLATE	AISI 316L	-	1




TECHNICAL DATA

VESSEL MODEL	SH - SANITARY
NO. CARTRIDGES	05
DESIGN CODE	AD MERKBLATT
CERTIFICATION	2014/68/EU
FLUID GROUP	1 - 2 (DANGEROUS AND NOT)
PED CATEGORY	I
DESIGN PRESSURE (PS)	10 bar
TEST PRESSURE (PT)	14.5 bar
VESSEL MATERIAL	316L / 1.4404
SEALS MATERIAL	SILICONE FDA BGA APPROVED
INTERNAL FINISHING	MECHANICAL POLISHING
INTERNAL ROUGHNESS	RA<0.8 MICRON
EXTERNAL FINISHING	MECHANICAL POLISHING
VENT CONNECTION [G]	CLAMP 1.5"

VESSEL TYPE	SH051	SH052	SH053	SH054
CARTRIDGES HEIGHT	10"	20"	30"	40"
C mm	825	1075	1325	1575
E mm	290	540	790	1040
TOTAL VESSEL VOLUME litres (V)	11.0	20.0	29.1	38.2
BOWL WEIGHT kg	5.3	7.5	10.2	12.9
TOTAL NET WEIGHT kg	18.0	20.0	22.0	24.0
PACKAGING SIZE CM45x33x	75	100	118	143
TOTAL WEIGHT PACKED kg	24.0	26.0	28.0	30.0

WORKING CONDITIONS 2014/68/EU			MAX PRESSURE bar			
FLUID GROUP	STATE	TEMPERAT.	SH051	SH052	SH053	SH054
DANGEROUS	LIQUID	0 - 40° C	10.0	10.0	10.0	10.0
DANGEROUS	LIQUID	150° C	7.5	7.5	7.5	7.5
DANGEROUS	GAS/VAPOR	0 - 150° C	4.5	2.4	1.7	1.3
NOT DANGER.	LIQUID	0 - 40° C	10.0	10.0	10.0	10.0
NOT DANGER.	LIQUID	150° C	7.5	7.5	7.5	7.5
NOT DANGER.	GAS/VAPOR	0 - 40° C	10.0	9.9	6.8	5.2
NOT DANGER.	GAS/VAPOR	150° C	7.5	7.5	6.8	5.2

DIMENSIONAL DATA					
CARTRIDGE x HEIGHT (N)	C mm	E mm	VOLUME liters (V)	PED Category	Fluid Group
05 x 10"	825	290	11	II	1 (dangerous)
05 x 20"	1075	540	20	II	1 (dangerous)
05 x 30"	1325	790	29.1	III	1 (dangerous)
05 x 40"	1575	1040	38.2	III	1 (dangerous)

CLAMP						
	WITHOUT DRAIN			WITH DRAIN		
Dimension [mm]	A	B	Q	A	B	Q
1.5" (38.1mm x 1.65mm)	345	331	168	345	406	243
2.0" (50.8mm x 1.65mm)	315	379	196	315	446	263

DIN 11851 MALE PART						
	WITHOUT DRAIN			WITH DRAIN		
Dimension [mm]	A	B	Q	A	B	Q
DN40 (38.1mm x 1.65mm)	345	371	188	345	446	263
DN50 (50.8mm x 1.65mm)	315	423	218	315	490	285

BUTT WELD ASME BPE						
	WITHOUT DRAIN			WITH DRAIN		
Dimension [mm]	A	L	P	A	L	P
1.5" (38.1mm x 1.65mm)	345	305	155	345	380	230
2.0" (50.8mm x 1.65mm)	315	353	183	315	420	250

SMS MALE PART						
	WITHOUT DRAIN			WITH DRAIN		
Dimension [mm]	A	B	Q	A	B	Q
1.5" (38,1mm x 1.65mm)	345	351	178	345	426	253
2.0" (50.8mm x 1.65mm)	315	403	208	315	470	275

Please Note

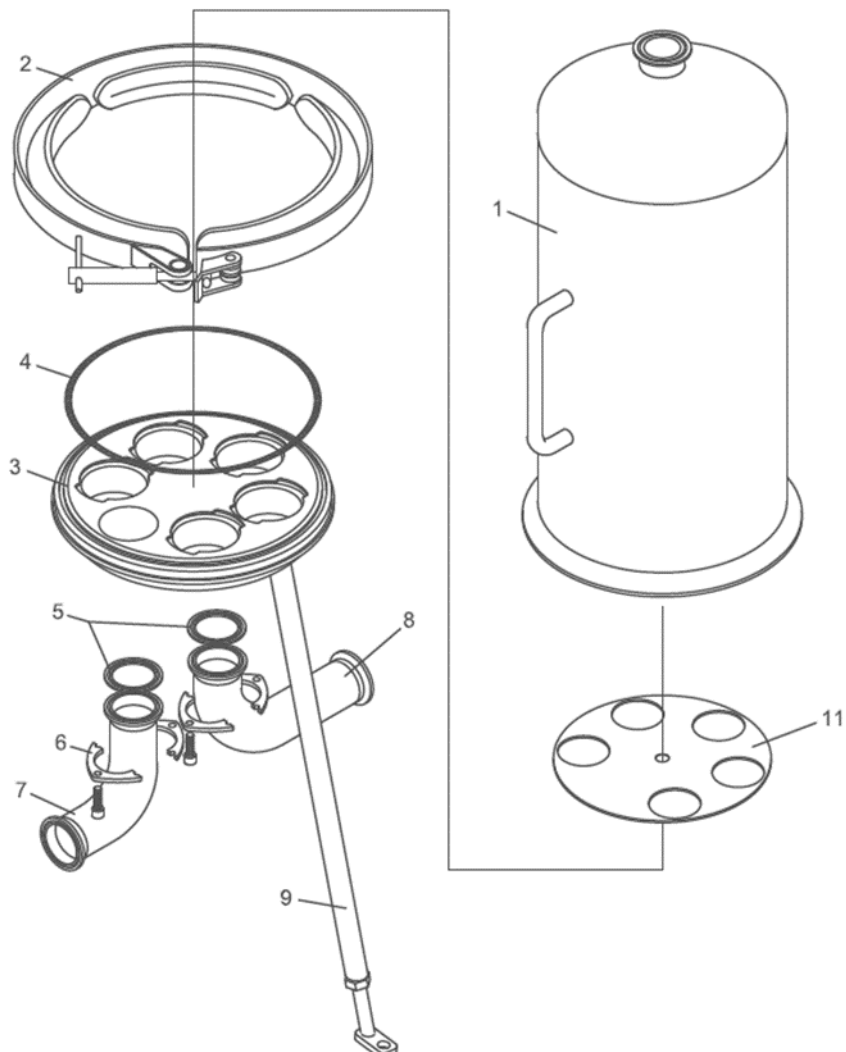
In filter housings with a flange connection at the in- and outlet e.g. DIN-EN1092-1, ANSI, etc. the bends will be welded directly to the baseplate, instead of the standard flange connection described in the detailed drawing.

ORDER CODE AND TECHNICAL EQUIPMENT							
Order-no.	No. of Cartridges	Bowl Height	Connection	Nominal Diameter	Gasket	With Vent TC 1.5"	With Drain TC 1.5"
81005XA25LGG040L	05	10"-40"	DIN 11851 Male Part	DN 40	Silicone	x	x
81005XA25KGG040L	05	10"-40"	DIN 11851 Male Part	DN 40	Silicone	x	-
81005XA25LGG050L	05	10"-40"	DIN 11851 Male Part	DN 50	Silicone	x	x
81005XA25KGG050L	05	10"-40"	DIN 11851 Male Part	DN 50	Silicone	x	-
81005XA25LTT015L	05	10"-40"	TC	1.5"	Silicone	x	x
81005XA25KTT015L	05	10"-40"	TC	1.5"	Silicone	x	-
81005XA25LTT020L	05	10"-40"	TC	2"	Silicone	x	x
81005XA25KTT020L	05	10"-40"	TC	2"	Silicone	x	-
81005XA25LSS015L	05	10"-40"	Welding Stubs	38.1 x 1.65	Silicone	x	x
81005XA25KSS015L	05	10"-40"	Welding Stubs	38.1 x 1.65	Silicone	x	-
81005XA25LSS020L	05	10"-40"	Welding Stubs	50.8 x 1.65	Silicone	x	x
81005XA25KSS020L	05	10"-40"	Welding Stubs	50.8 x 1.65	Silicone	x	-
81005XA25LMM015L	05	10"-40"	SMS - Male part	38.1 x 1.65	Silicone	x	x
81005XA25KMM015L	05	10"-40"	SMS - Male part	38.1 x 1.65	Silicone	x	-
81005XA25LMM020L	05	10"-40"	SMS - Male part	50.8 x 1.65	Silicone	x	x
81005XA25KMM020L	05	10"-40"	SMS - Male part	50.8 x 1.65	Silicone	x	-

„X“ = Placeholder for the bowl height:

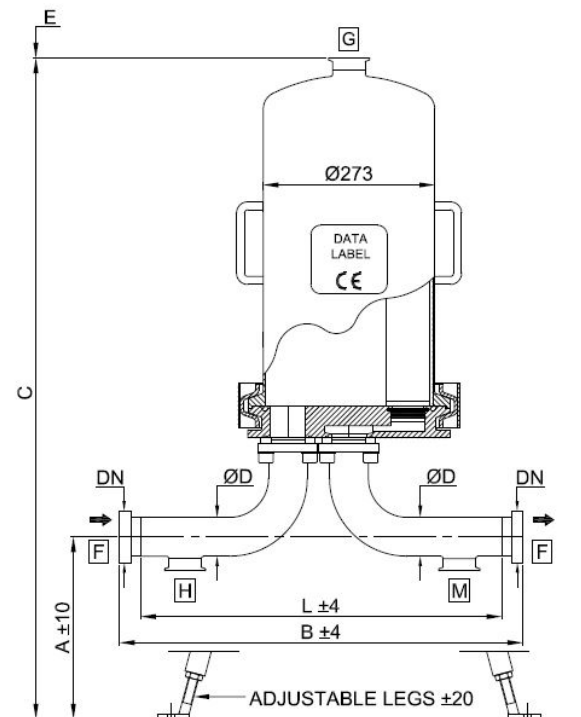
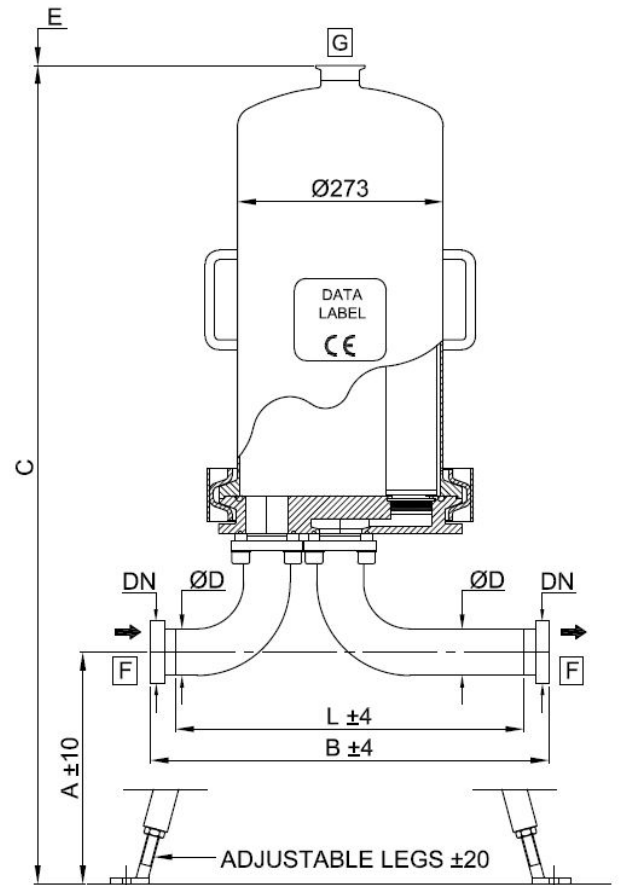
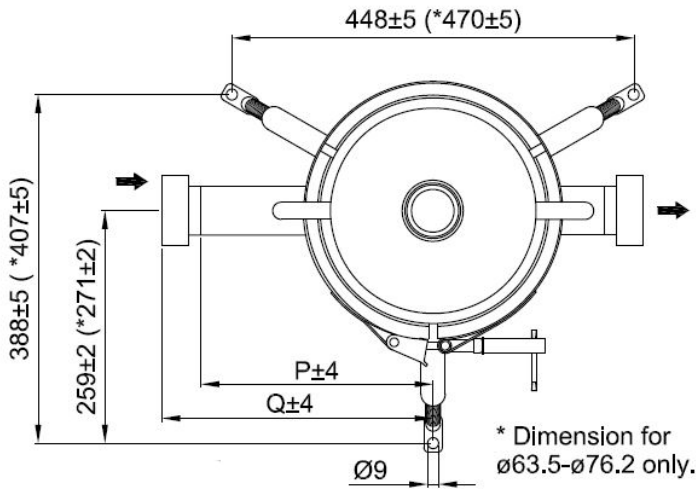
- 1 = 10"
- 2 = 20"
- 3 = 30"
- 4 = 40"


SPARE PARTS				
POS.	DESCRIPTION	MATERIAL	PART NO.	Q.TY
1	HOUSING BOWL	AISI 316L	-	1
2	V-BAND	AISI 304	8ZSLA-0004	1
3	CARTRIDGE PLATE	AISI 316L	-	1
4	O-RING d=5.35 ID=208.91	SILICONE	8ZDSC-0004	1
5	GASKET CLAMP 2"	PTFE	8ZDPC-0005	2
6	BEND FLANGE	AISI 304	-	4
7	INLET BEND	AISI 316L	-	1
8	OUTLET BEND	AISI 316L	-	1
9	COMPLETE LEG	AISI 304	-	3
11	PROTECTION PLATE	AISI 316L	-	1



FILTER SERIES 810 - 08-ROUND LIQUID HOUSING

HOUSING STYLE - T-TYPE - Series SH - DSH Ver. 08 | 09


TECHNICAL DATA

VESSEL MODEL	SH - SANITARY
NO. CARTRIDGES	08
DESIGN CODE	AD MERKBLATT
CERTIFICATION	2014/68/EU
FLUID GROUP	1 - 2 (DANGEROUS AND NOT)
PED CATEGORY	I
DESIGN PRESSURE (PS)	10 bar
TEST PRESSURE (PT)	14.5 bar
VESSEL MATERIAL	316L / 1.4404
SEALS MATERIAL	SILICONE FDA BGA APPROVED
INTERNAL FINISHING	MECHANICAL POLISHING
INTERNAL ROUGHNESS	RA<0.8 MICRON
EXTERNAL FINISHING	MECHANICAL POLISHING
VENT CONNECTION 	CLAMP 1.5"

VESSEL TYPE	SH081	SH082	SH083	SH084
CARTRIDGES HEIGHT	10"	20"	30"	40"
C mm	846	1096	1346	1596
E mm	290	540	790	1040
TOTAL VESSEL VOLUME litres (V)	21.3	35.5	49.7	63.9
BOWL WEIGHT kg	7.0	10.0	13.0	16.0
TOTAL NET WEIGHT kg	27.0	30.0	33.0	36.0
PACKAGING SIZE CM50x40x	75	100	118	143
TOTAL WEIGHT PACKED kg	30.0	34.0	38.0	42.0

WORKING CONDITIONS 2014/68/EU			MAX PRESSURE bar			
FLUID GROUP	STATE	TEMPERAT.	SH081	SH082	SH083	SH084
DANGEROUS	LIQUID	0 - 40° C	10.0	10.0	10.0	10.0
DANGEROUS	LIQUID	150° C	7.5	7.5	7.5	7.5
DANGEROUS	GAS/VAPOR	0 - 150° C	2.3	1.4	1.0	0.7
NOT DANGER.	LIQUID	0 - 40° C	10.0	10.0	10.0	10.0
NOT DANGER.	LIQUID	150° C	7.5	7.5	7.5	7.5
NOT DANGER.	GAS/VAPOR	0 - 40° C	9.3	5.6	4.0	3.1
NOT DANGER.	GAS/VAPOR	150° C	7.5	5.6	4.0	3.1

FILTER SERIES 810 - 08-ROUND LIQUID HOUSING

HOUSING STYLE - T-TYPE - Series SH - DSH Ver. 08 | 09

DIMENSIONAL DATA					
CARTRIDGE x HEIGHT (N)	C mm	E mm	VOLUME liters (V)	PED Category	Fluid Group
08 x 10"	846	290	21.3	III	1 (dangerous)
08 x 20"	1096	540	35.5	III	1 (dangerous)
08 x 30"	1346	790	49.7	III	1 (dangerous)
08 x 40"	1596	1040	63.9	III	1 (dangerous)

CLAMP						
	WITHOUT DRAIN			WITH DRAIN		
Dimension [mm]	A	B	Q	A	B	Q
1.5" (38.1mm x 1.65mm)	345	357	194	345	432	269
2.0" (50.8mm x 1.65mm)	315	405	222	315	472	289
2.5" (63.5mm x 1.65mm)	286	468	243	286	548	323
3.0" (76.2mm x 1.65mm)	258	524	271	258	604	351

DIN 11851 MALE PART						
	WITHOUT DRAIN			WITH DRAIN		
Dimension [mm]	A	B	Q	A	B	Q
DN40 (38.1mm x 1.65mm)	345	397	214	345	472	289
DN50 (50.8mm x 1.65mm)	315	449	244	315	516	311
DN65 (63.5mm x 1.65mm)	286	518	268	286	602	350
DN80 (76.2mm x 1.65mm)	258	588	303	258	658	383

BUTT WELD ASME BPE						
	WITHOUT DRAIN			WITH DRAIN		
Dimension [mm]	A	L	P	A	L	P
1.5" (38.1mm x 1.65mm)	345	331	181	345	406	256
2.0" (50.8mm x 1.65mm)	315	379	209	315	446	276
2.5" (63.5mm x 1.65mm)	286	442	230	286	522	310
3.0" (76.2mm x 1.65mm)	258	498	258	258	578	338

SMS - Male part						
	WITHOUT DRAIN			WITH DRAIN		
Dimension [mm]	A	B	Q	A	B	Q
1.5" (38.1mm x 1.65mm)	345	377	204	345	452	279
2.0" (50.8mm x 1.65mm)	315	429	234	315	496	301
2.5" (63.5mm x 1.65mm)	286	502	260	286	582	340
3.0" (76.2mm x 1.65mm)	258	568	293	258	648	373

Please Note

In filter housings with a flange connection at the in- and outlet e.g. DIN-EN1092-1, ANSI, etc. the bends will be welded directly to the baseplate, instead of the standard flange connection described in the detailed drawing.

ORDER CODE AND TECHNICAL EQUIPMENT							
Order-no.	No. of Cartridges	Bowl Height	Connection	Nominal Diameter	Gasket	With Vent TC 1.5"	With Drain TC 1.5"
81008XA25LGG040L	08	10"-40"	DIN 11851 Male Part	DN 40	Silicone	x	x
81008XA25KGG040L	08	10"-40"	DIN 11851 Male Part	DN 40	Silicone	x	-
81008XA25LGG050L	08	10"-40"	DIN 11851 Male Part	DN 50	Silicone	x	x
81008XA25KGG050L	08	10"-40"	DIN 11851 Male Part	DN 50	Silicone	x	-
81008XA25LGG065L	08	10"-40"	DIN 11851 Male Part	DN 65	Silicone	x	x
81008XA25KGG065L	08	10"-40"	DIN 11851 Male Part	DN 65	Silicone	x	-
81008XA25LGG080L	08	10"-40"	DIN 11851 Male Part	DN 80	Silicone	x	x
81008XA25KGG080L	08	10"-40"	DIN 11851 Male Part	DN 80	Silicone	x	-
81008XA25LTT015L	08	10"-40"	TC	1.5"	Silicone	x	x
81008XA25KTT015L	08	10"-40"	TC	1.5"	Silicone	x	-
81008XA25LTT020L	08	10"-40"	TC	2"	Silicone	x	x
81008XA25KTT020L	08	10"-40"	TC	2"	Silicone	x	-
81008XA25LTT025L	08	10"-40"	TC	2.5"	Silicone	x	x
81008XA25KTT025L	08	10"-40"	TC	2.5"	Silicone	x	-
81008XA25LTT030L	08	10"-40"	TC	3.0"	Silicone	x	x
81008XA25KTT030L	08	10"-40"	TC	3.0"	Silicone	x	-
81008XA25LSS015L	08	10"-40"	Welding Stubs	38.1 x 1.65	Silicone	x	x
81008XA25KSS015L	08	10"-40"	Welding Stubs	38.1 x 1.65	Silicone	x	-
81008XA25LSS020L	08	10"-40"	Welding Stubs	50.8 x 1.65	Silicone	x	x
81008XA25KSS020L	08	10"-40"	Welding Stubs	50.8 x 1.65	Silicone	x	-
81008XA25LSS025L	08	10"-40"	Welding Stubs	63.5 x 1.65	Silicone	x	x
81008XA25KSS025L	08	10"-40"	Welding Stubs	63.5 x 1.65	Silicone	x	-
81008XA25LSS030L	08	10"-40"	Welding Stubs	76.2 x 1.65	Silicone	x	x
81008XA25KSS030L	08	10"-40"	Welding Stubs	76.2 x 1.65	Silicone	x	-
81008XA25LMM015L	08	10"-40"	SMS - Male part	38.1 x 1.65	Silicone	x	x
81008XA25KMM015L	08	10"-40"	SMS - Male part	38.1 x 1.65	Silicone	x	-
81008XA25LMM020L	08	10"-40"	SMS - Male part	50.8 x 1.65	Silicone	x	x
81008XA25KMM020L	08	10"-40"	SMS - Male part	50.8 x 1.65	Silicone	x	-
81008XA25LMM025L	08	10"-40"	SMS - Male part	63.5 x 1.65	Silicone	x	x
81008XA25KMM025L	08	10"-40"	SMS - Male part	63.5 x 1.65	Silicone	x	-
81008XA25LMM030L	08	10"-40"	SMS - Male part	76.2 x 1.65	Silicone	x	x
81008XA25KMM030L	08	10"-40"	SMS - Male part	76.2 x 1.65	Silicone	x	-

„X“ = Placeholder for the bowl height:

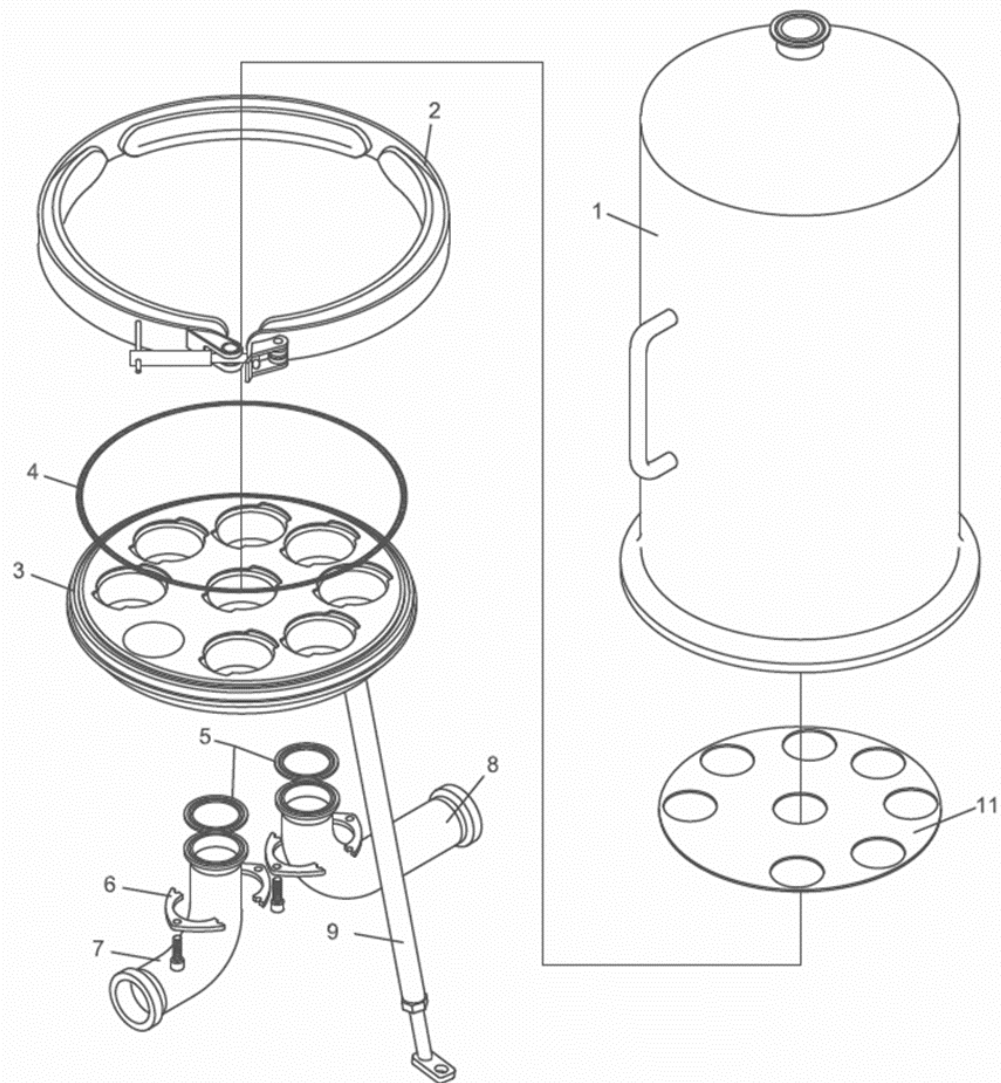
1 = 10"

2 = 20"

3 = 30"

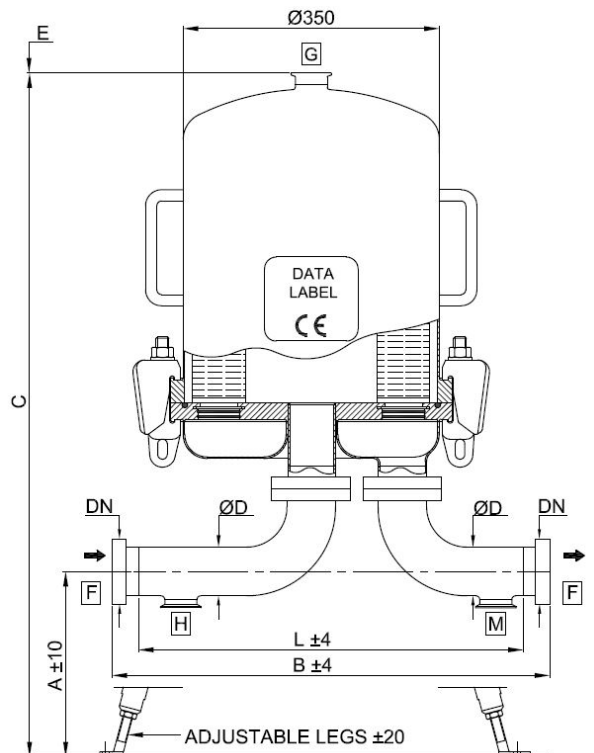
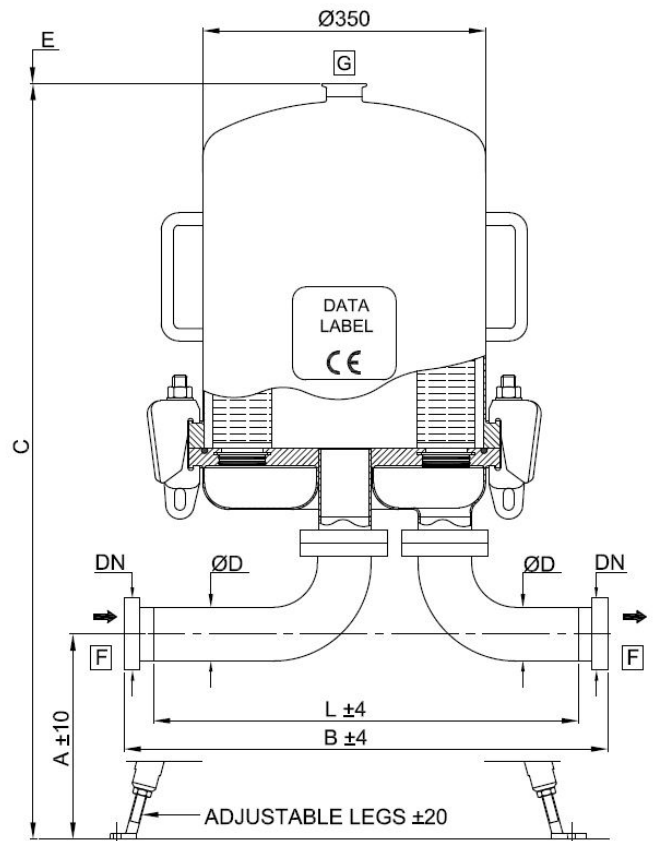
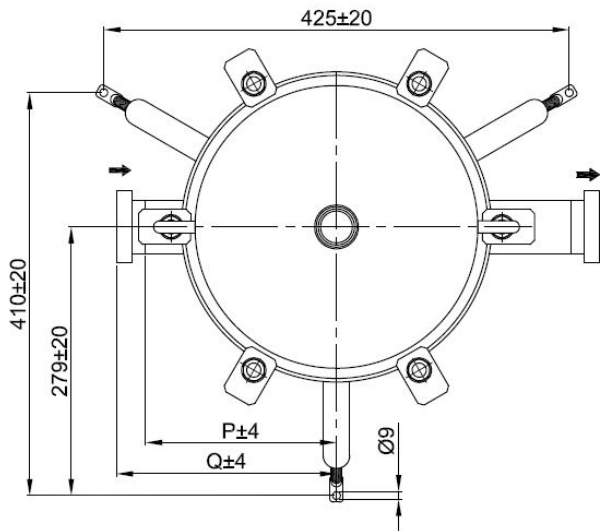
4 = 40"

SPARE PARTS				
POS.	DESCRIPTION	MATERIAL	PART NO.	Q.TY
1	HOUSING BOWL	AISI 316L	-	1
2	V-BAND	AISI 304	8ZSLA-0005	1
3	CARTRIDGE PLATE	AISI 316L	-	1
4	O-RING d=5.35 ID=266.06	SILICONE	8ZDSC-0006	1
5	GASKET CLAMP	PTFE	-	2
6	BEND FLANGE	AISI 304	-	4
7	INLET BEND	AISI 316L	-	1
8	OUTLET BEND	AISI 316L	-	1
9	COMPLETE LEG	AISI 304	-	3
11	PROTECTION PLATE	AISI 316L	-	1



FILTER SERIES 810 - 12-ROUND LIQUID HOUSING

HOUSING STYLE - T-TYPE - Series SH - DSH Ver. 07



TECHNICAL DATA

VESSEL MODEL	SH - SANITARY
NO. CARTRIDGES	12
DESIGN CODE	AD MERKBLATT
CERTIFICATION	2014/68/EU
FLUID GROUP	1 - 2 (DANGEROUS AND NOT)
PED CATEGORY	I
DESIGN PRESSURE (PS)	9.0 bar
TEST PRESSURE (PT)	13.0 bar
VESSEL MATERIAL	316L / 1.4404
SEALS MATERIAL	SILICONE FDA BGA APPROVED
INTERNAL FINISHING	MECHANICAL POLISHING
INTERNAL ROUGHNESS	RA<0.8 MICRON
EXTERNAL FINISHING	MECHANICAL POLISHING
VENT CONNECTION G	CLAMP 1.5"

VESSEL TYPE	SH121	SH122	SH123	SH124
CARTRIDGES HEIGHT	10"	20"	30"	40"
C mm	930	1180	1430	1680
E mm	290	540	790	1040
TOTAL VESSEL VOLUME litres (V)	41	66	89	113
BOWL WEIGHT kg	10	14.5	19	23.5
TOTAL NET WEIGHT kg	58	62	66	70
PACKAGING SIZE CM54x53x	75	100	125	150
TOTAL WEIGHT PACKED kg	63	67	71	76

WORKING CONDITIONS 2014/68/EU MAX PRESSURE bar						
FLUID GROUP	STATE	TEMPERAT.	SH121	SH122	SH123	SH124
DANGEROUS	LIQUID	0 - 40° C	9.0	9.0	9.0	9.0
DANGEROUS	LIQUID	150° C	7.0	7.0	7.0	7.0
DANGEROUS	GAS/VAPOR	0 - 150° C	1.2	0.7	0.5	0.5
NOT DANGER.	LIQUID	0 - 40° C	9.0	9.0	9.0	9.0
NOT DANGER.	LIQUID	150° C	7.0	7.0	7.0	7.0
NOT DANGER.	GAS/VAPOR	0 - 150° C	4.8	3.0	2.2	1.7

DIMENSIONAL DATA					
CARTRIDGE x HEIGHT (N)	C mm	E mm	VOLUME liters (V)	PED Category	Fluid Group
12 x 10"	930	290	41	III	1 (dangerous)
12 x 20"	1180	540	66	III	1 (dangerous)
12 x 30"	1430	790	89	III	1 (dangerous)
12 x 40"	1680	1040	113	IV	1 (dangerous)

CLAMP						
	WITHOUT DRAIN			WITH DRAIN		
Dimension [mm]	A	B	Q	A	B	Q
2.0" (50.8mm x 1.65mm)	350	474	238	350	544	238
2.5" (63.5mm x 1.65mm)	326	493	225	326	573	225
3.0" (76.2mm x 1.65mm)	298	549	253	298	629	253
4.0" (101.6mm x 2mm)	290	529	243	290	609	243

DIN 11851 MALE PART						
	WITHOUT DRAIN			WITH DRAIN		
Dimension [mm]	A	B	Q	A	B	Q
DN50 (50.8mm x 1.65mm)	350	519	258	350	586	258
DN65 (63.5mm x 1.65mm)	326	547	252	326	627	252
DN80 (76.2mm x 1.65mm)	297	603	280	297	683	280
DN100 (101.6mm x 2mm)	290	527	202	290	687	282

BUTT WELD ASME BPE						
	WITHOUT DRAIN			WITH DRAIN		
Dimension [mm]	A	L	P	A	L	P
2.0" (50.8mm x 1.65mm)	350	449	225	350	518	225
2.5" (63.5mm x 1.65mm)	326	467	212	326	547	212
3.0" (76.2mm x 1.65mm)	298	523	240	298	603	240
4.0" (101.6mm x 2mm)	290	483	210	290	583	230

SMS - Male part						
	WITHOUT DRAIN			WITH DRAIN		
Dimension [mm]	A	B	Q	A	B	Q
2.0" (50.8mm x 1.65mm)	350	499	250	350	568	250
2.5" (63.5mm x 1.65mm)	326	527	242	326	607	242
3.0" (76.2mm x 1.65mm)	298	593	275	298	673	275
4.0" (101.6mm x 2mm)	290	543	240	290	643	260

ORDER CODE AND TECHNICAL EQUIPMENT							
Order-no.	No. of Cartridges	Bowl Height	Connection	Nominal Diameter	Gasket	With Vent TC 1.5"	With Drain TC 1.5"
81012XA25LGG050L	12	10"-40"	DIN 11851 Male Part	DN 50	Silicone	x	x
81012XA25KGG050L	12	10"-40"	DIN 11851 Male Part	DN 50	Silicone	x	-
81012XA25LGG065L	12	10"-40"	DIN 11851 Male Part	DN 65	Silicone	x	x
81012XA25KGG065L	12	10"-40"	DIN 11851 Male Part	DN 65	Silicone	x	-
81012XA25LGG080L	12	10"-40"	DIN 11851 Male Part	DN 80	Silicone	x	x
81012XA25KGG080L	12	10"-40"	DIN 11851 Male Part	DN 80	Silicone	x	-
81012XA25LGG100L	12	10"-40"	DIN 11851 Male Part	DN 100	Silicone	x	x
81012XA25KGG100L	12	10"-40"	DIN 11851 Male Part	DN 100	Silicone	x	-
81012XA25LTT020L	12	10"-40"	TC	2.0"	Silicone	x	x
81012XA25KTT020L	12	10"-40"	TC	2.0"	Silicone	x	-
81012XA25LTT025L	12	10"-40"	TC	2.5"	Silicone	x	x
81012XA25KTT025L	12	10"-40"	TC	2.5"	Silicone	x	-
81012XA25LTT030L	12	10"-40"	TC	3.0"	Silicone	x	x
81012XA25KTT030L	12	10"-40"	TC	3.0"	Silicone	x	-
81012XA25LTT040L	12	10"-40"	TC	4.0"	Silicone	x	x
81012XA25KTT040L	12	10"-40"	TC	4.0"	Silicone	x	-
81012XA25LSS020L	12	10"-40"	Welding Stubs	50.8 x 1.65	Silicone	x	x
81012XA25KSS020L	12	10"-40"	Welding Stubs	50.8 x 1.65	Silicone	x	-
81012XA25LSS025L	12	10"-40"	Welding Stubs	63.5 x 1.65	Silicone	x	x
81012XA25KSS025L	12	10"-40"	Welding Stubs	63.5 x 1.65	Silicone	x	-
81012XA25LSS030L	12	10"-40"	Welding Stubs	76.2 x 1.65	Silicone	x	x
81012XA25KSS030L	12	10"-40"	Welding Stubs	76.2 x 1.65	Silicone	x	-
81012XA25LSS040L	12	10"-40"	Welding Stubs	101.6 x 2.00	Silicone	x	x
81012XA25KSS040L	12	10"-40"	Welding Stubs	101.6 x 2.00	Silicone	x	-
81012XA25LMM020L	12	10"-40"	SMS - Male part	50.8 x 1.65	Silicone	x	x
81012XA25KMM020L	12	10"-40"	SMS - Male part	50.8 x 1.65	Silicone	x	-
81012XA25LMM025L	12	10"-40"	SMS - Male part	63.5 x 1.65	Silicone	x	x
81012XA25KMM025L	12	10"-40"	SMS - Male part	63.5 x 1.65	Silicone	x	-
81012XA25LMM030L	12	10"-40"	SMS - Male part	76.2 x 1.65	Silicone	x	x
81012XA25KMM030L	12	10"-40"	SMS - Male part	76.2 x 1.65	Silicone	x	-
81012XA25LMM040L	12	10"-40"	SMS - Male part	101.6 x 2.00	Silicone	x	x
81012XA25KMM040L	12	10"-40"	SMS - Male part	101.6 x 2.00	Silicone	x	-

„X“ = Placeholder for the bowl height:

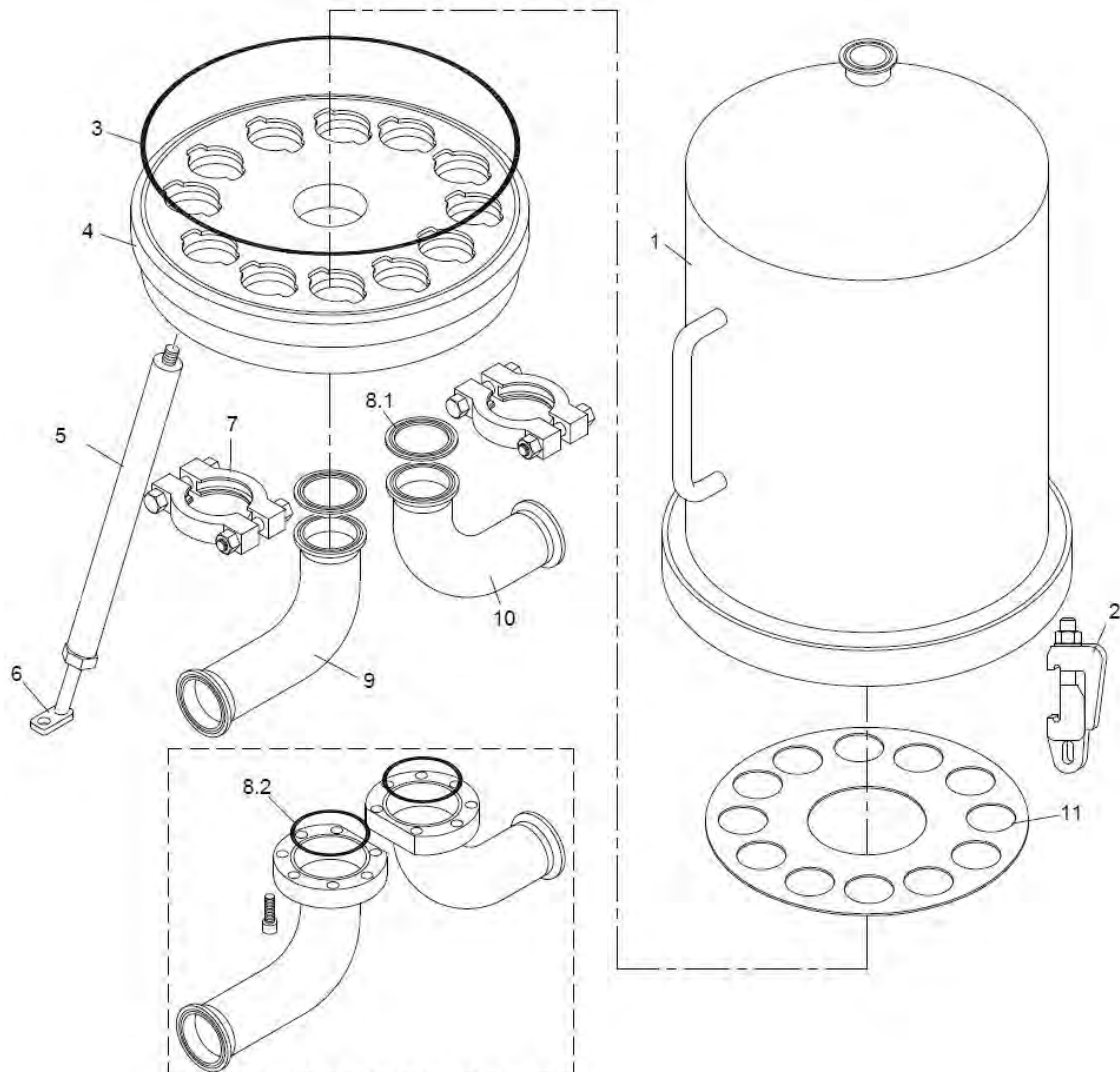
1 = 10"

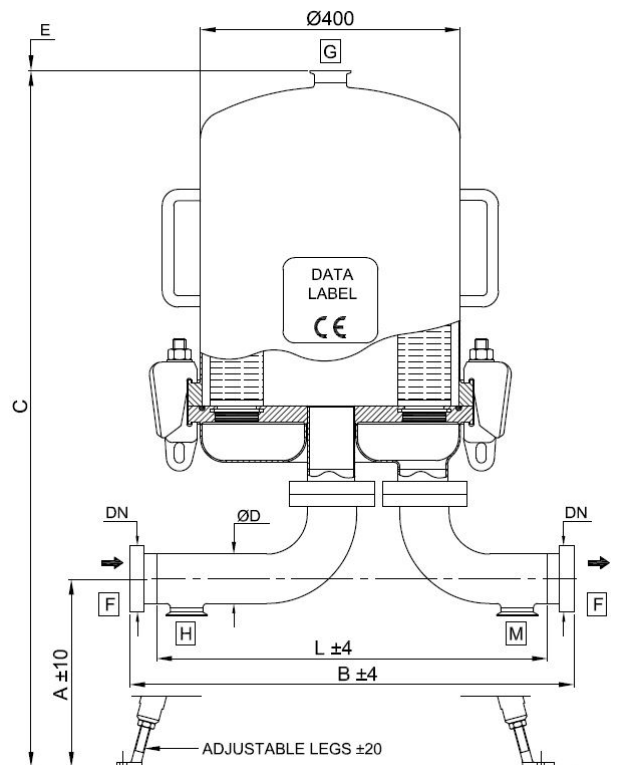
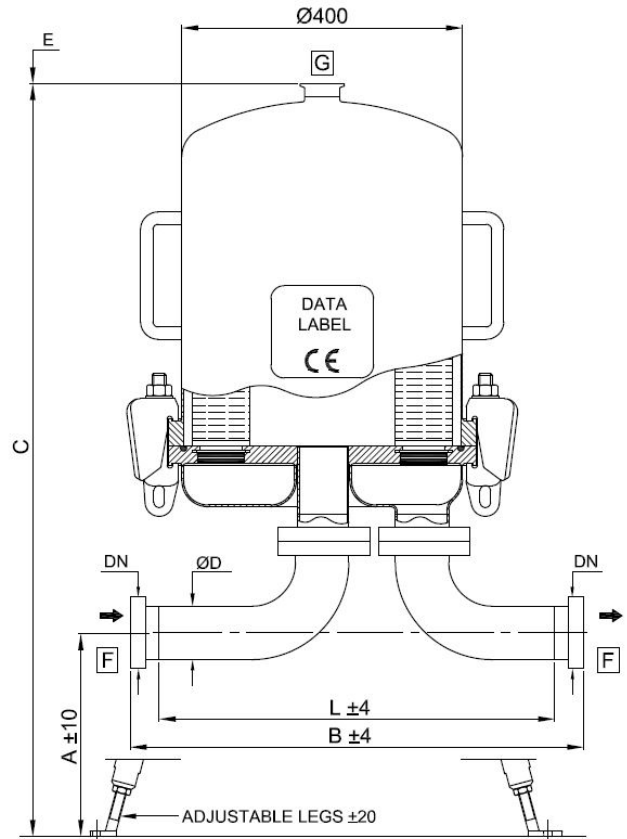
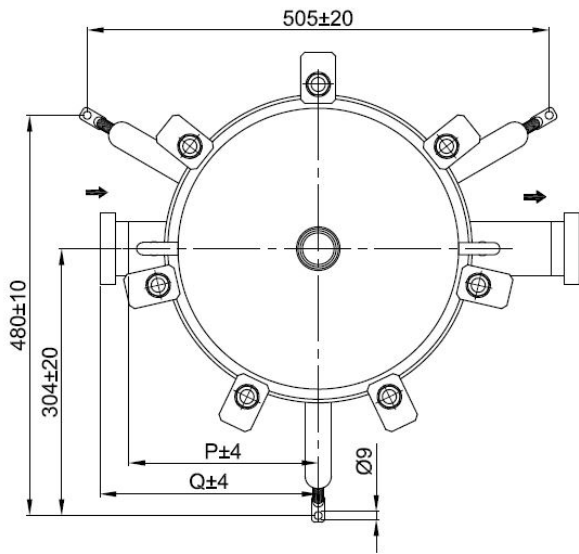
2 = 20"

3 = 30"

4 = 40"

SPARE PARTS				
POS.	DESCRIPTION	MATERIAL	PART NO.	Q.TY
1	HOUSING BOWL	AISI 316L	-	1
2	BOLT CLAMP M16	AISI 316Ti	8ZSL--0009	
3	O-RING d=7.00 ID=342.30	SILICONE	8ZDSC-0007	1
4	CARTRIDGE PLATE	AISI 316L	-	1
5	LEG	AISI 304	-	3
6	FOOT	AISI 304	-	3
7	CLAMP 3"	AISI 304	-	2
8.1	GASKET CLAMP 3"	PTFE	8ZDPC-0008	2
8.2	O-RING d=5.34 ID=100.00	SILICONE	-	2
9	INLET BEND	AISI 316L	-	1
10	OUTLET BEND	AISI 316L	-	1
11	PROTECTION PLATE	AISI 316L	-	1





TECHNICAL DATA

VESSEL MODEL	SH - SANITARY
NO. CARTRIDGES	18
DESIGN CODE	AD MERKBLATT
CERTIFICATION	2014/68/EU
FLUID GROUP	1 - 2 (DANGEROUS AND NOT)
PED CATEGORY	I
DESIGN PRESSURE (PS)	8 bar
TEST PRESSURE (PT)	11.5 bar
VESSEL MATERIAL	316L / 1.4404
SEALS MATERIAL	SILICONE FDA BGA APPROVED
INTERNAL FINISHING	MECHANICAL POLISHING
INTERNAL ROUGHNESS	RA<0.8 MICRON
EXTERNAL FINISHING	MECHANICAL POLISHING
VENT CONNECTION [G]	CLAMP 1.5"

VESSEL TYPE	SH181	SH182	SH183	SH184
CARTRIDGES HEIGHT	10"	20"	30"	40"
C mm	950	1200	1450	1700
E mm	290	540	790	1040
TOTAL VESSEL VOLUME litres (V)	54	85	115	146
BOWL WEIGHT kg	12	17	22	27
TOTAL NET WEIGHT kg	59	63	68	74
PACKAGING SIZE CM59x58x	78	103	128	153
TOTAL WEIGHT PACKED kg	64	68	74	80

WORKING CONDITIONS 2014/68/EU			MAX PRESSURE bar			
FLUID GROUP	STATE	TEMPERAT.	SH181	SH182	SH183	SH184
DANGEROUS	LIQUID	0 - 40° C	8.0	8.0	8.0	8.0
DANGEROUS	LIQUID	150° C	6.2	6.2	6.2	6.2
DANGEROUS	GAS/VAPOR	0 - 150° C	0.9	0.5	0.5	0.5
NOT DANGER.	LIQUID	0 - 40° C	8.0	8.0	8.0	8.0
NOT DANGER.	LIQUID	150° C	6.2	6.2	6.2	6.2
NOT DANGER.	GAS/VAPOR	0 - 150° C	3.6	2.3	1.7	1.3

DIMENSIONAL DATA					
CARTRIDGE x HEIGHT (N)	C mm	E mm	VOLUME liters (V)	PED Category	Fluid Group
18 x 10"	950	290	54	III	1 (dangerous)
18 x 20"	1200	540	85	III	1 (dangerous)
18 x 30"	1450	790	115	III	1 (dangerous)
18 x 40"	1700	1040	146	IV	1 (dangerous)

CLAMP						
	WITHOUT DRAIN			WITH DRAIN		
Dimension [mm]	A	B	Q	A	B	Q
2.5" (63.5mm x 1.65mm)	325	509	225	325	589	225
3.0" (76.2mm x 1.65mm)	297	566	253	297	646	253
4.0" (101.6mm x 2mm)	287	552	246	287	632	246

DIN 11851 MALE PART							
	WITHOUT DRAIN			WITH DRAIN			
Dimension [mm]	A	B	Q	A	B	Q	
DN65	325	564	252	325	644	252	
DN80	296	620	280	296	700	280	
DN100	287	604	262	287	704	282	

BUTT WELD ASME BPE						
	WITHOUT DRAIN			WITH DRAIN		
Dimension [mm]	A	L	P	A	L	P
2.5" (63.5mm x 1.65mm)	325	484	212	325	564	212
3.0" (76.2mm x 1.65mm)	297	540	240	297	620	240
4.0" (101.6mm x 2mm)	292	604	314	292	600	230

SMS - Male part						
	WITHOUT DRAIN			WITH DRAIN		
Dimension [mm]	A	B	Q	A	B	Q
2.5" (63.5mm x 1.65mm)	325	544	242	325	624	242
3.0" (76.2mm x 1.65mm)	297	610	275	297	690	275
4.0" (101.6mm x 2mm)	287	580	260	287	660	260

ORDER CODE AND TECHNICAL EQUIPMENT							
Order-no.	No. of Cartridges	Bowl Height	Connection	Nominal Diameter	Gasket	With Vent TC 1.5"	With Drain TC 1.5"
81018XA25LGG065L	18	10"-40"	DIN 11851 Male Part	DN 65	Silicone	x	x
81018XA25KGG065L	18	10"-40"	DIN 11851 Male Part	DN 65	Silicone	x	-
81018XA25LGG080L	18	10"-40"	DIN 11851 Male Part	DN 80	Silicone	x	x
81018XA25KGG080L	18	10"-40"	DIN 11851 Male Part	DN 80	Silicone	x	-
81018XA25LGG100L	18	10"-40"	DIN 11851 Male Part	DN 100	Silicone	x	x
81018XA25KGG100L	18	10"-40"	DIN 11851 Male Part	DN 100	Silicone	x	-
81018XA25LTT025L	18	10"-40"	TC	2.5"	Silicone	x	x
81018XA25KTT025L	18	10"-40"	TC	2.5"	Silicone	x	-
81018XA25LTT030L	18	10"-40"	TC	3.0"	Silicone	x	x
81018XA25KTT030L	18	10"-40"	TC	3.0"	Silicone	x	-
81018XA25LTT040L	18	10"-40"	TC	4.0"	Silicone	x	x
81018XA25KTT040L	18	10"-40"	TC	4.0"	Silicone	x	-
81018XA25LSS025L	18	10"-40"	Welding Stubs	63.5 x 1.65	Silicone	x	x
81018XA25KSS025L	18	10"-40"	Welding Stubs	63.5 x 1.65	Silicone	x	-
81018XA25LSS030L	18	10"-40"	Welding Stubs	76.2 x 1.65	Silicone	x	x
81018XA25KSS030L	18	10"-40"	Welding Stubs	76.2 x 1.65	Silicone	x	-
81018XA25LSS040L	18	10"-40"	Welding Stubs	101.6 x 2.00	Silicone	x	x
81018XA25KSS040L	18	10"-40"	Welding Stubs	101.6 x 2.00	Silicone	x	-
81018XA25LMM025L	18	10"-40"	SMS - Male part	63.5 x 1.65	Silicone	x	x
81018XA25KMM025L	18	10"-40"	SMS - Male part	63.5 x 1.65	Silicone	x	-
81018XA25LMM030L	18	10"-40"	SMS - Male part	76.2 x 1.65	Silicone	x	x
81018XA25KMM030L	18	10"-40"	SMS - Male part	76.2 x 1.65	Silicone	x	-
81018XA25LMM040L	18	10"-40"	SMS - Male part	101.6 x 2.00	Silicone	x	x
81018XA25KMM040L	18	10"-40"	SMS - Male part	101.6 x 2.00	Silicone	x	-

„X“ = Placeholder for the bowl height:

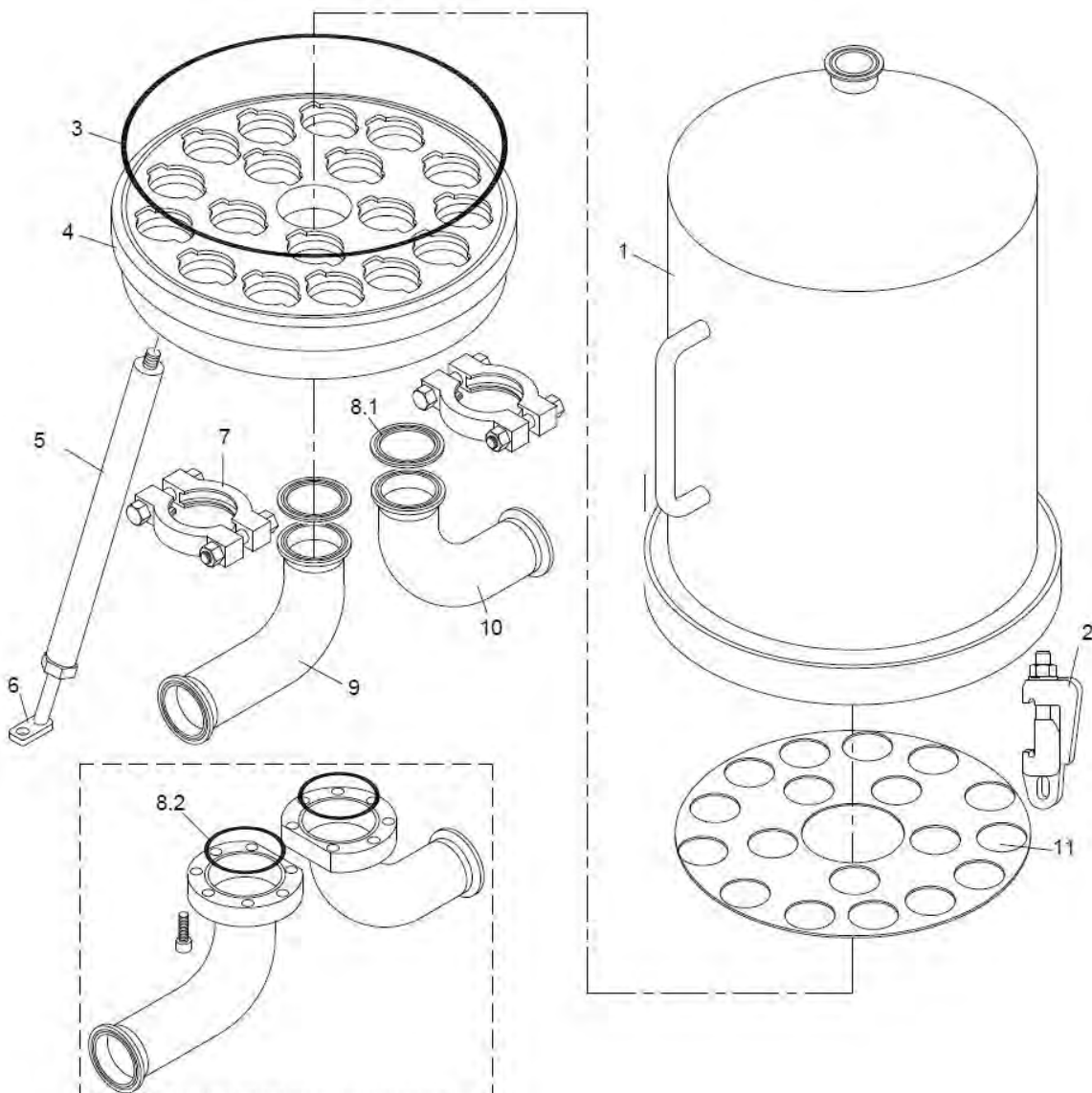
1 = 10"

2 = 20"

3 = 30"

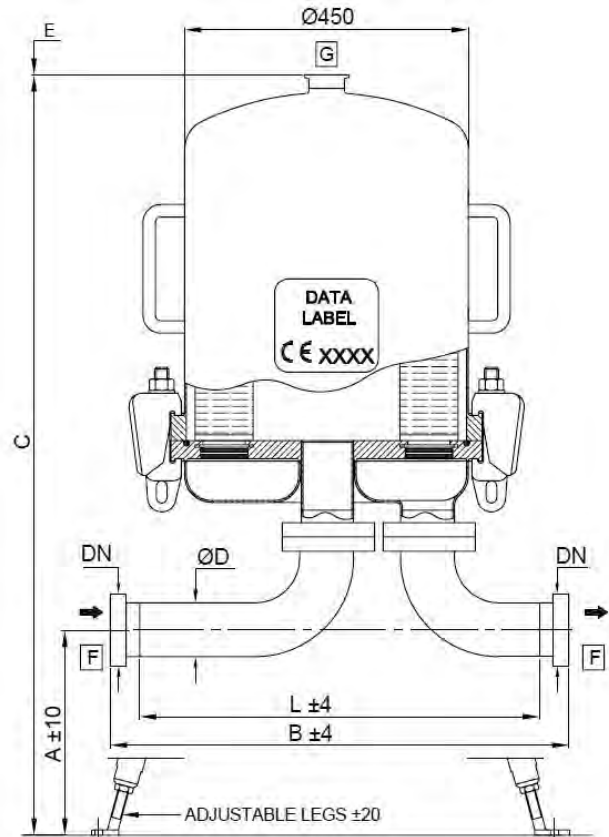
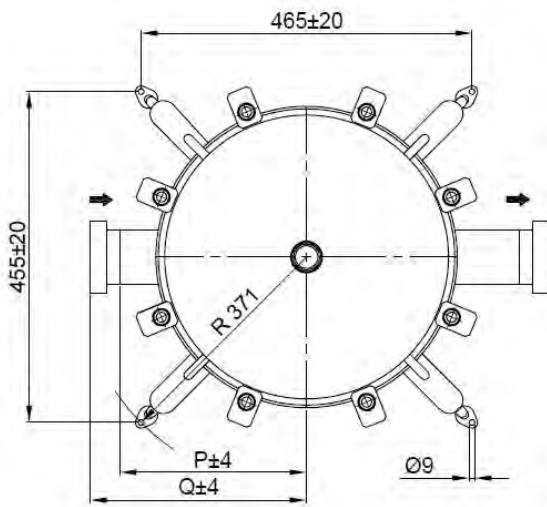
4 = 40"

SPARE PARTS				
POS.	DESCRIPTION	MATERIAL	PART NO.	Q.TY
1	HOUSING BOWL	AISI 316L	-	1
2	BOLT CLAMP M16	AISI 316Ti	8ZSL--0009	
3	O-RING d=7.00 ID=393.10	SILICONE	8ZDSC-0009	1
4	CARTRIDGE PLATE	AISI 316L		1
5	LEG	AISI 304	-	3
6	FOOT	AISI 304	-	3
7	CLAMP 3"	AISI 304	-	2
8.1	GASKET CLAMP 3"	PTFE	8ZDPC-0008	2
8.2	O-RING d=5.34 ID=110.50	SILICONE	-	2
9	INLET BEND	AISI 316L	-	1
10	OUTLET BEND	AISI 316L	-	1
11	PROTECTION PLATE	AISI 316L	-	1



FILTER SERIES 810 - 24-ROUND LIQUID HOUSING

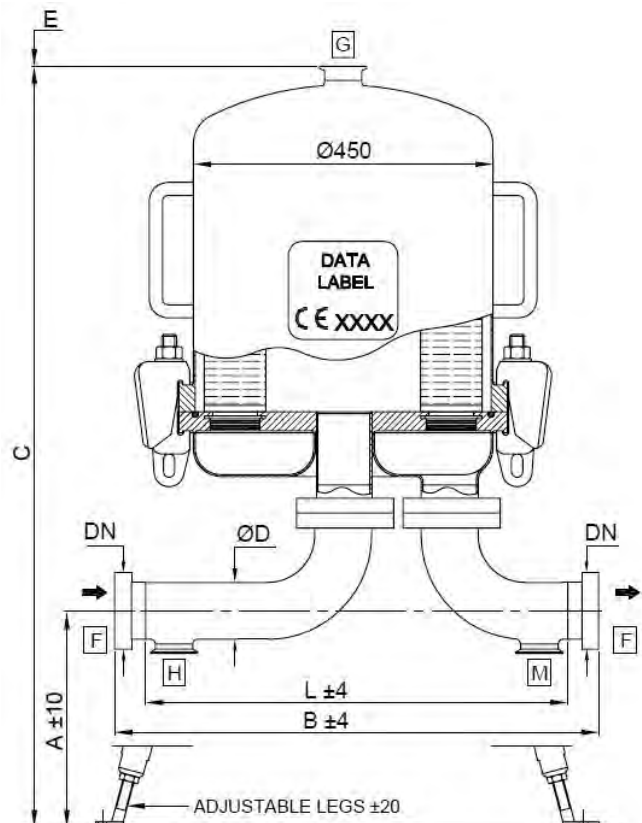
HOUSING STYLE - T-TYPE - Series SH - DSH Ver. 07 | 08


TECHNICAL DATA

VESSEL MODEL	SH - SANITARY
NO. CARTRIDGES	24
DESIGN CODE	AD MERKBLATT
CERTIFICATION	2014/68/EU
FLUID GROUP	1 - 2 (DANGEROUS AND NOT)
PED CATEGORY	II
DESIGN PRESSURE (PS)	8 bar
TEST PRESSURE (PT)	11,5 bar
VESSEL MATERIAL	316L / 1.4404
SEALS MATERIAL	SILICONE FDA BGA APPROVED
INTERNAL FINISHING	MECHANICAL POLISHING
INTERNAL ROUGHTNESS	RA<0.8 MICRON
EXTERNAL FINISHING	MECHANICAL POLISHING
VENT CONNECTION [G]	CLAMP 1.5"

VESSEL TYPE	SH241	SH242	SH243	SH244
CARTRIDGES HEIGHT	10"	20"	30"	40"
C mm	970	1220	1470	1720
E mm	290	540	790	1040
TOTAL VESSEL VOLUME litres (V)	73	112	151	190
BOWL WEIGHT kg	18	27	35	44
TOTAL NET WEIGHT kg	88	97	105	114
PACKAGING SIZE CM64x63x	80	105	130	155
TOTAL WEIGHT PACKED kg	95	105	113	122

WORKING CONDITIONS 2014/68/EU		MAX PRESSURE bar				
FLUID GROUP	STATE	TEMPERAT.	SH241	SH242	SH243	SH244
DANGEROUS	LIQUID	0 - 40° C	8.0	8.0	8.0	8.0
DANGEROUS	LIQUID	150° C	6.2	6.2	6.2	6.2
DANGEROUS	GAS/VAPOR	0 - 150° C	2.7	1.7	1.3	1.0
NOT DANGER.	LIQUID	0 - 40° C	8.0	8.0	8.0	8.0
NOT DANGER.	LIQUID	150° C	6.2	6.2	6.2	6.2
NOT DANGER.	GAS/VAPOR	0 - 40° C	8.0	8.0	6.5	5.2
NOT DANGER.	GAS/VAPOR	150° C	6.2	6.2	6.2	5.2



FILTER SERIES 810 - 24-ROUND LIQUID HOUSING

HOUSING STYLE - T-TYPE - Series SH - DSH Ver. 07 | 08

DIMENSIONAL DATA					
CARTRIDGE x HEIGHT (N)	C mm	E mm	VOLUME liters (V)	PED Category	Fluid Group
24 x 10"	970	290	73	III	1 (dangerous)
24 x 20"	1220	540	112	III	1 (dangerous)
24 x 30"	1470	790	151	IV	1 (dangerous)
24 x 40"	1720	1040	190	IV	1 (dangerous)

CLAMP						
Dimension [mm]	WITHOUT DRAIN			WITH DRAIN		
	A	B	Q	A	B	Q
2.5" (63.5mm x 1.65mm)	318	564	265	318	644	265
3.0" (76.2mm x 1.65mm)	292	580	253	292	660	253
4.0" (101.6mm x 2.11mm)	300	566	245	300	647	246

DIN 11851 MALE PART						
Dimension [mm]	WITHOUT DRAIN			WITH DRAIN		
	A	B	Q	A	B	Q
DN65 (63.5mm x 1.65mm)	318	618	292	318	698	292
DN80 (85mm x 2mm)	331	616	296	331	696	296
DN100 (101.6mm x 2mm)	300	638	281	300	718	296
DN125 (129.0mm x 2mm)	253	701	314	-	-	-

BUTT WELD ASME BPE						
Dimension [mm]	WITHOUT DRAIN			WITH DRAIN		
	A	L	P	A	L	P
2.5" (63.5mm x 1.65mm)	318	538	252	318	618	252
3.0" (76.2mm x 1.65mm)	292	554	240	292	634	240
4.0" (101.6mm x 2mm)	300	534	229	300	614	230
5.0" (139.7mm x 2.60mm)	248	615	271	-	-	-

SMS - Male part						
Dimension [mm]	WITHOUT DRAIN			WITH DRAIN		
	A	B	Q	A	B	Q
2.5" (63.5mm x 1.65mm)	318	598	282	318	678	282
3.0" (76.2mm x 1.65mm)	292	624	275	292	704	275
4.0" (101.6mm x 2mm)	300	594	259	300	674	259

ORDER CODE AND TECHNICAL EQUIPMENT							
Order-no.	No. of Cartridges	Bowl Height	Connection	Nominal Diameter	Gasket	With Vent TC 1.5"	With Drain TC 1.5"
81024XA25LGG065L	24	10"-40"	DIN 11851 Male Part	DN 65	Silicone	x	x
81024XA25KGG065L	24	10"-40"	DIN 11851 Male Part	DN 65	Silicone	x	-
81024XA25LGG080L	24	10"-40"	DIN 11851 Male Part	DN 80	Silicone	x	x
81024XA25KGG080L	24	10"-40"	DIN 11851 Male Part	DN 80	Silicone	x	-
81024XA25LGG100L	24	10"-40"	DIN 11851 Male Part	DN 100	Silicone	x	x
81024XA25KGG100L	24	10"-40"	DIN 11851 Male Part	DN 100	Silicone	x	-
81024XA25KGG125L	24	10"-40"	DIN 11851 Male Part	DN 125	Silicone	x	-
81024XA25LTT025L	24	10"-40"	TC	2.5"	Silicone	x	x
81024XA25KTT025L	24	10"-40"	TC	2.5"	Silicone	x	-
81024XA25LTT030L	24	10"-40"	TC	3.0"	Silicone	x	x
81024XA25KTT030L	24	10"-40"	TC	3.0"	Silicone	x	-
81024XA25LTT040L	24	10"-40"	TC	4.0"	Silicone	x	x
81024XA25KTT040L	24	10"-40"	TC	4.0"	Silicone	x	-
81024XA25LSS025L	24	10"-40"	Welding Stubs	63.5 x 1.65	Silicone	x	x
81024XA25KSS025L	24	10"-40"	Welding Stubs	63.5 x 1.65	Silicone	x	-
81024XA25LSS030L	24	10"-40"	Welding Stubs	76.2 x 1.65	Silicone	x	x
81024XA25KSS030L	24	10"-40"	Welding Stubs	76.2 x 1.65	Silicone	x	-
81024XA25LSS040L	24	10"-40"	Welding Stubs	101.6 x 2.00	Silicone	x	x
81024XA25KSS040L	24	10"-40"	Welding Stubs	101.6 x 2.00	Silicone	x	-
81024XA25KSS050L	24	10"-40"	Welding Stubs	139.7 x 2.60	Silicone	x	-
81024XA25LMM025L	24	10"-40"	SMS - Male part	63.5 x 1.65	Silicone	x	x
81024XA25KMM025L	24	10"-40"	SMS - Male part	63.5 x 1.65	Silicone	x	-
81024XA25LMM030L	24	10"-40"	SMS - Male part	76.2 x 1.65	Silicone	x	x
81024XA25KMM030L	24	10"-40"	SMS - Male part	76.2 x 1.65	Silicone	x	-
81024XA25LMM040L	24	10"-40"	SMS - Male part	101.6 x 2.00	Silicone	x	x
81024XA25KMM040L	24	10"-40"	SMS - Male part	101.6 x 2.00	Silicone	x	-

„X“ = Placeholder for the bowl height:

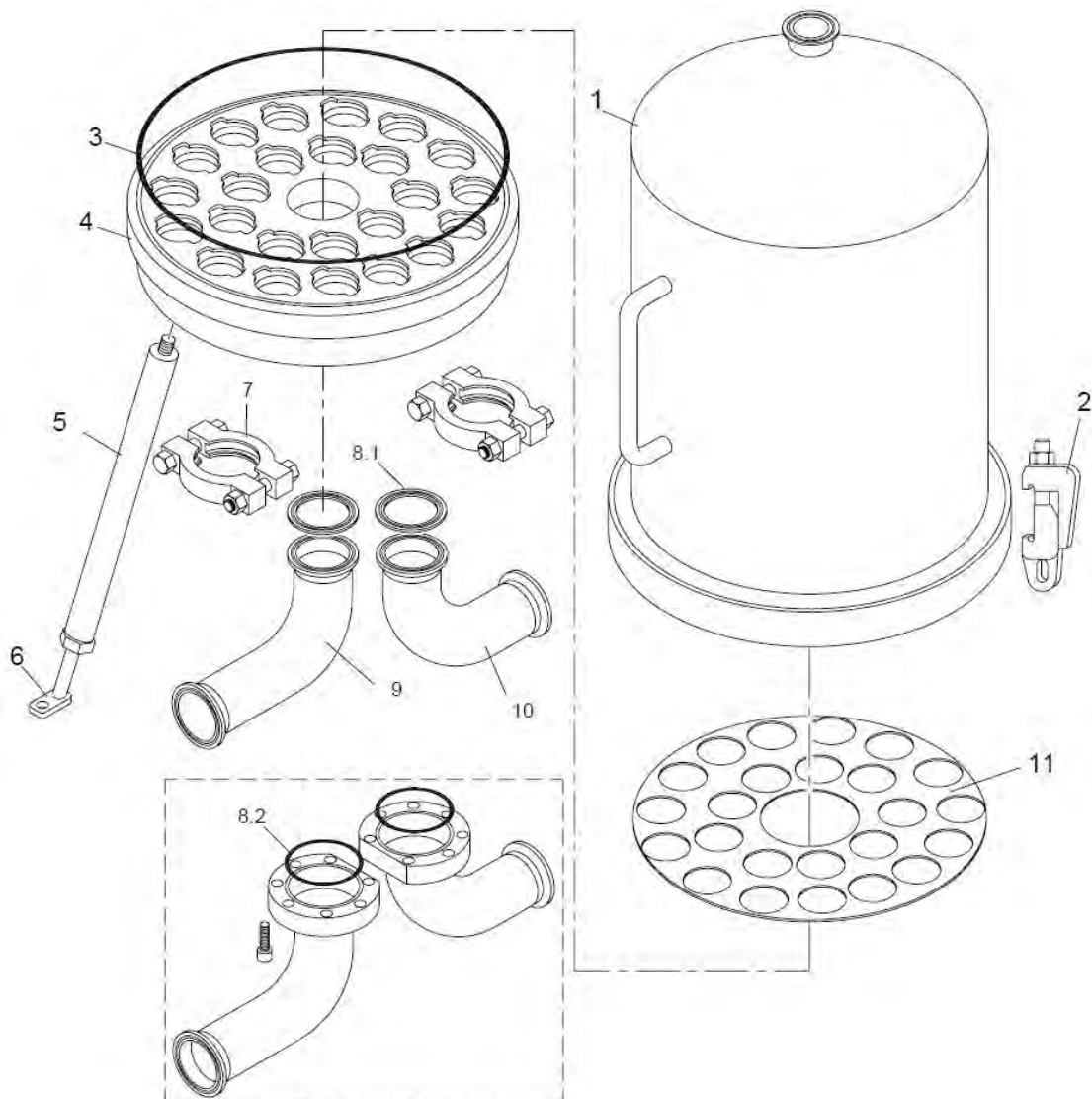
1 = 10"

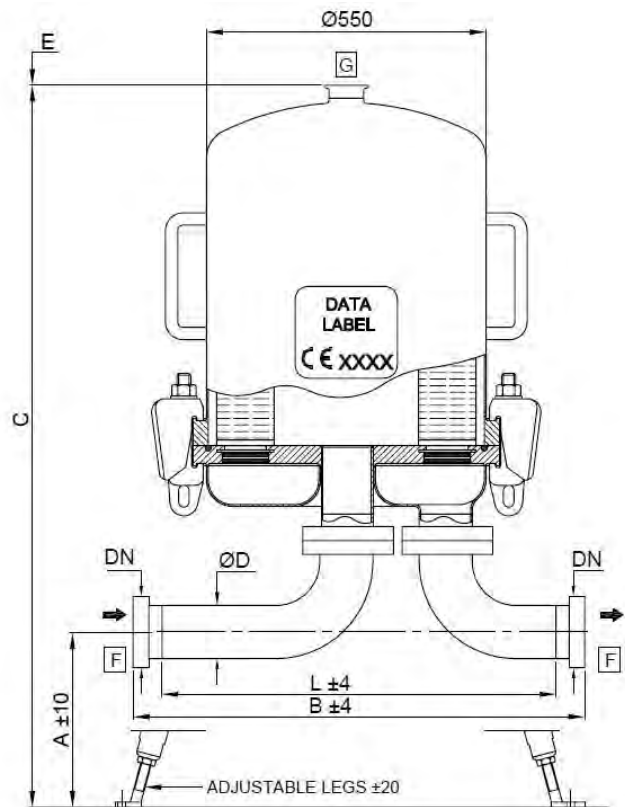
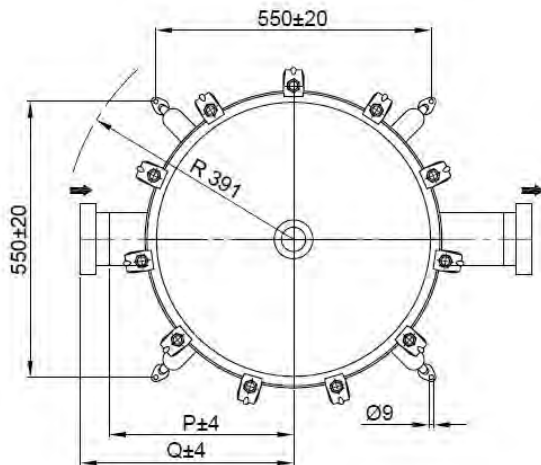
2 = 20"

3 = 30"

4 = 40"

SPARE PARTS				
POS.	DESCRIPTION	MATERIAL	PART NO.	Q.TY
1	HOUSING BOWL	AISI 316L	-	1
2	BOLT CLAMP M16	AISI 316Ti	8ZSL--0009	
3	O-RING d=7.00 ID=443.40	SILICONE	8ZDSC-0010	1
4	CARTRIDGE PLATE	AISI 316L		1
5	LEG	AISI 304	-	4
6	FOOT	AISI 304	-	4
7	CLAMP 4"	AISI 304	-	2
8.1	GASKET CLAMP 4"	PTFE	8ZDPC-0001	2
8.2	O-RING d=5.34 ID=136.50	SILICONE	8ZDSC-0011	2
9	INLET BEND	AISI 316L	-	1
10	OUTLET BEND	AISI 316L	-	1
11	PROTECTION PLATE	AISI 316L	-	1



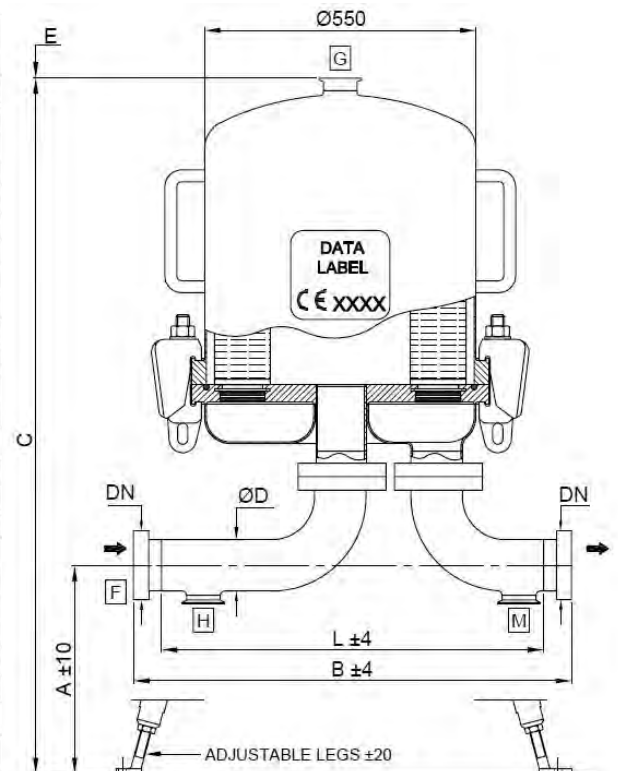

TECHNICAL DATA

VESSEL MODEL	SH - SANITARY
NO. CARTRIDGES	30
DESIGN CODE	AD MERKBLATT
CERTIFICATION	2014/68/EU
FLUID GROUP	1 - 2 (DANGEROUS AND NOT)
PED CATEGORY	II
DESIGN PRESSURE (PS)	8 bar
TEST PRESSURE (PT)	11.5 bar
VESSEL MATERIAL	316L / 1.4404
SEALS MATERIAL	SILICONE FDA BGA APPROVED
INTERNAL FINISHING	MECHANICAL POLISHING
INTERNAL ROUGHNESS	RA<0.8 MICRON
EXTERNAL FINISHING	MECHANICAL POLISHING
VENT CONNECTION G	CLAMP 1.5"

VESSEL TYPE	SH301	SH302	SH303	SH304
CARTRIDGES HEIGHT	10"	20"	30"	40"
C mm	1000	1250	1500	1750
E mm	290	540	790	1040
TOTAL VESSEL VOLUME litres (V)	118	176	235	293
BOWL WEIGHT kg	28	38	48	58
TOTAL NET WEIGHT kg	93	101	109	117
PACKAGING SIZE CM78x100x	80	105	130	155
TOTAL WEIGHT PACKED kg	112	121	131	140

WORKING CONDITIONS 2014/68/EU MAX PRESSURE bar

FLUID GROUP	STATE	TEMPERAT.	SH301	SH302	SH303	SH304
DANGEROUS	LIQUID	0 - 40° C	8.0	8.0	8.0	8.0
DANGEROUS	LIQUID	150° C	6.2	6.2	6.2	6.2
DANGEROUS	GAS/VAPOR	0 - 150° C	1.6	1.1	0.8	0.6
NOT DANGER.	LIQUID	0 - 40° C	8.0	8.0	8.0	8.0
NOT DANGER.	LIQUID	150° C	6.2	6.2	6.2	6.2
NOT DANGER.	GAS/VAPOR	0 - 40° C	8.0	5.6	4.2	3.4
NOT DANGER.	GAS/VAPOR	150° C	6.2	5.6	4.2	3.4



DIMENSIONAL DATA					
CARTRIDGE x HEIGHT (N)	C mm	E mm	VOLUME liters (V)	PED Category	Fluid Group
30 x 10"	1000	290	118	III	1 (dangerous)
30 x 20"	1250	540	176	III	1 (dangerous)
30 x 30"	1500	790	235	III	1 (dangerous)
30 x 40"	1750	1040	293	III	1 (dangerous)

CLAMP						
	WITHOUT DRAIN			WITH DRAIN		
Dimension [mm]	A	B	Q	A	B	Q
2.5" (63.5mm x 1.65mm)	318	665	330	318	745	330
3.0" (76.2mm x 1.65mm)	291	686	323	291	766	323
4.0" (101.6mm x 2.11mm)	300	662	306	300	742	306

DIN 11851 MALE PART						
	WITHOUT DRAIN			WITH DRAIN		
Dimension [mm]	A	B	Q	A	B	Q
DN65 (63.5mm x 1.65mm)	318	719	357	318	800	357
DN80 (85mm x 2mm)	331	712	356	331	792	357
DN100 (101.6mm x 2mm)	300	734	342	300	814	342
DN125 (129.0mm x 2mm)	254	785	362	-	-	-
DN150 (154.0mm x 2mm)	218	820	355	-	-	-

BUTT WELD ASME BPE						
	WITHOUT DRAIN			WITH DRAIN		
Dimension [mm]	A	L	P	A	L	P
2.5" (63.5mm x 1.65mm)	318	639	317	318	719	317
3.0" (76.2mm x 1.65mm)	291	660	310	291	740	310
4.0" (101.6mm x 2mm)	300	630	290	300	710	290
5.0" (139.7mm x 2.60mm)	251	671	291	-	-	-
6.0" (168.3mm x 2.60mm)	210	747	329	-	-	-

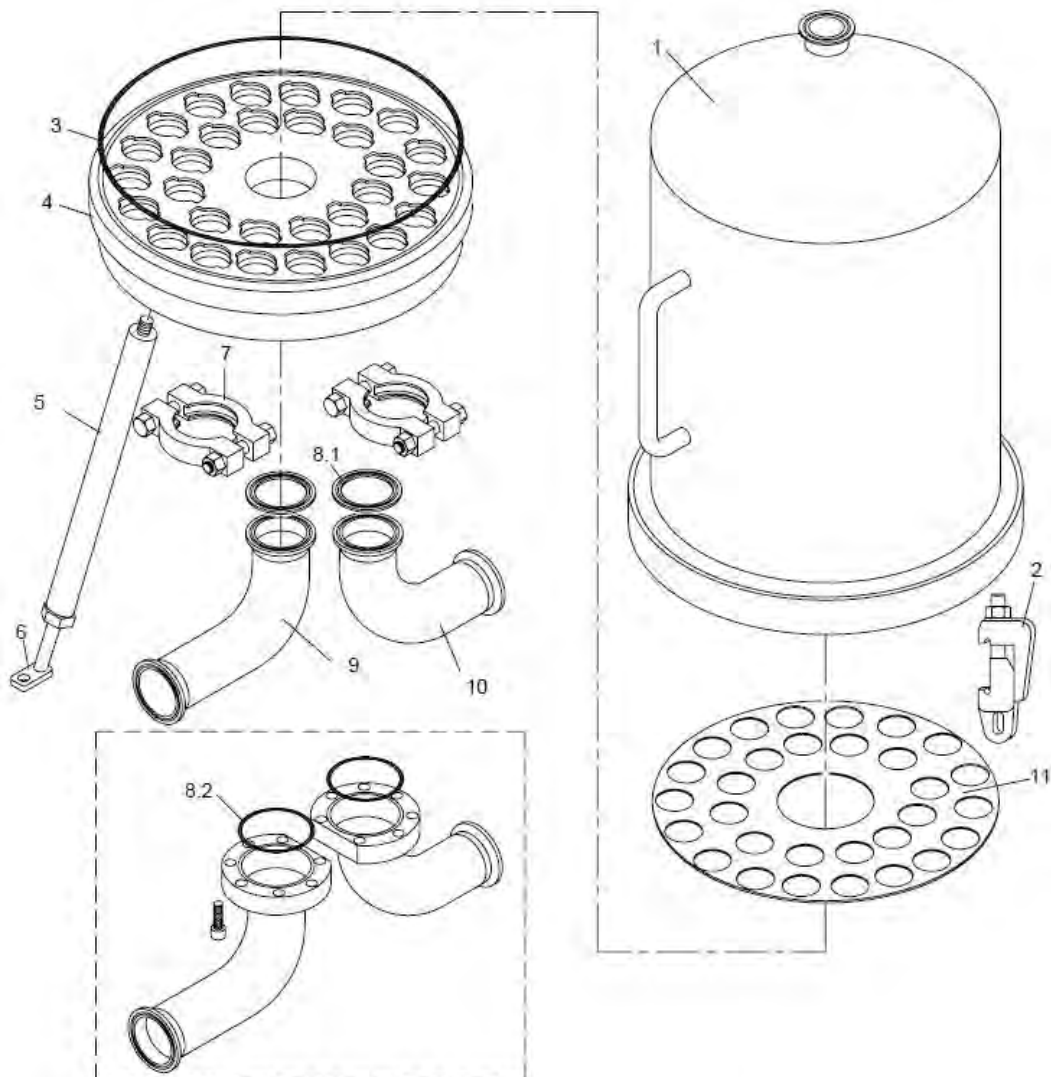
SMS - Male part						
	WITHOUT DRAIN			WITH DRAIN		
Dimension [mm]	A	B	Q	A	B	Q
2.5" (63.5mm x 1.65mm)	318	699	347	318	779	347
3.0" (76.2mm x 1.65mm)	291	730	345	291	810	345
4.0" (101.6mm x 2mm)	300	690	320	300	770	320

ORDER CODE AND TECHNICAL EQUIPMENT							
Order-no.	No. of Cartridges	Bowl Height	Connection	Nominal Diameter	Gasket	With Vent TC 1.5"	With Drain TC 1.5"
81030XA25LGG065L	30	10"-40"	DIN 11851 Male Part	DN 65	Silicone	x	x
81030XA25KGG065L	30	10"-40"	DIN 11851 Male Part	DN 65	Silicone	x	-
81030XA25LGG080L	30	10"-40"	DIN 11851 Male Part	DN 80	Silicone	x	x
81030XA25KGG080L	30	10"-40"	DIN 11851 Male Part	DN 80	Silicone	x	-
81030XA25LGG100L	30	10"-40"	DIN 11851 Male Part	DN 100	Silicone	x	x
81030XA25KGG100L	30	10"-40"	DIN 11851 Male Part	DN 100	Silicone	x	-
81030XA25KGG125L	30	10"-40"	DIN 11851 Male Part	DN 125	Silicone	x	-
81030XA25KGG150L	30	10"-40"	DIN 11851 Male Part	DN 150	Silicone	x	-
81030XA25LTT025L	30	10"-40"	TC	2.5"	Silicone	x	x
81030XA25KTT025L	30	10"-40"	TC	2.5"	Silicone	x	-
81030XA25LTT030L	30	10"-40"	TC	3.0"	Silicone	x	x
81030XA25KTT030L	30	10"-40"	TC	3.0"	Silicone	x	-
81030XA25LTT040L	30	10"-40"	TC	4.0"	Silicone	x	x
81030XA25KTT040L	30	10"-40"	TC	4.0"	Silicone	x	-
81030XA25LSS025L	30	10"-40"	Welding Stubs	63.5 x 1.65	Silicone	x	x
81030XA25KSS025L	30	10"-40"	Welding Stubs	63.5 x 1.65	Silicone	x	-
81030XA25LSS030L	30	10"-40"	Welding Stubs	76.2 x 1.65	Silicone	x	x
81030XA25KSS030L	30	10"-40"	Welding Stubs	76.2 x 1.65	Silicone	x	-
81030XA25LSS040L	30	10"-40"	Welding Stubs	101.6 x 2.00	Silicone	x	x
81030XA25KSS040L	30	10"-40"	Welding Stubs	101.6 x 2.00	Silicone	x	-
81030XA25KSS050L	30	10"-40"	Welding Stubs	139.7 x 2.60	Silicone	x	-
81030XA25KSS060L	30	10"-40"	Welding Stubs	168.3 x 2.60	Silicone	x	-
81030XA25LMM025L	30	10"-40"	SMS - Male part	63.5 x 1.65	Silicone	x	x
81030XA25KMM025L	30	10"-40"	SMS - Male part	63.5 x 1.65	Silicone	x	-
81030XA25LMM030L	30	10"-40"	SMS - Male part	76.2 x 1.65	Silicone	x	x
81030XA25KMM030L	30	10"-40"	SMS - Male part	76.2 x 1.65	Silicone	x	-
81030XA25LMM040L	30	10"-40"	SMS - Male part	101.6 x 2.00	Silicone	x	x
81030XA25KMM040L	30	10"-40"	SMS - Male part	101.6 x 2.00	Silicone	x	-

„X“ = Placeholder for the bowl height:


- 1 = 10"
- 2 = 20"
- 3 = 30"
- 4 = 40"

SPARE PARTS				
POS.	DESCRIPTION	MATERIAL	PART NO.	Q.TY
1	HOUSING BOWL	AISI 316L	-	1
2	BOLT CLAMP M16	AISI 316Ti	8ZSL--0009	
3	O-RING d=7.00 ID=532.30	SILICONE	8ZDSC-0012	1
4	CARTRIDGE PLATE	AISI 316L	-	1
5	LEG	AISI 304	-	4
6	FOOT	AISI 304	-	4
7	CLAMP 4"	AISI 304	-	2
8.1	GASKET CLAMP 4"	PTFE	8ZDPC-0001	2
8.2	O-RING d=5.34 ID=164.46	SILICONE	8ZDSC-0013	2
9	INLET BEND	AISI 316L	-	1
10	OUTLET BEND	AISI 316L	-	1
11	PROTECTION PLATE	AISI 316L	-	1



FILTER SERIES 810 - 1-ROUND IN-LINE LIQUID HOUSING

HOUSING STYLE - IN-LINE-TYPE - Series ALN



FILTER HOUSING

PART NUMBER

MODEL

TYPE

CARTRIDGE NO. x HIGH (inch)

CATEGORY 2014/68/EU

VOLUME LITRES (V)

PRESSURE(PS) min-max at TS=-20+150°C bar -1 + 10

TEST PRESSURE(PT) bar

DESIGN TEMPERATURE (TS) min-max -20+150°C

FLUID GROUP (Art.13 - 2014/68/EU)



VESSEL MATERIAL 316L / 1.4404

YEAR OF MANUFACTURE

VESSEL NUMBER

ATEX CLASSIFICATION II 2 GD IIC

ATEX CERTIFICATION 04.01 EX.02-X



TECHNICAL DATA	
NO. CARTRIDGED	01
CARTRIDGE SOCKET	226 CODE 7
ATEX REGULATION	GROUP 2 - Cat 2 GAS&DUST FLUID GR IIC zone 1&21
DESIGN CODE	DIN EN 13445
CERTIFICATION	PED 2014/68/EU
PED CATEGORY	4.3
DESIGN PRESSURE	+10bar
DESIGN TEMPERATURE	-20°C...+150°C
VESSEL MATERIAL	316L / 1.4404
FLUIDGROUP	2 (not dangerous)
PHYSICAL STATE	LIQUID / GAS
INTERNAL FINISH	MECHANICAL POLISHING
INTERNAL ROUGHNESS	RA <0.8 MICRON
EXTERNAL FINISH	MECHANICAL POLISHING
INLET CONNECTION	A CLAMP ASME 1.5" (38.1mm x 1.65xx)
OUTLET CONNECTION	B CLAMP ASME 1.5" (38.1mm x 1.65xx)
DRAIN CONNECTION	C CLAMP ASME 0.5" (12.7mm x 1.65xx)

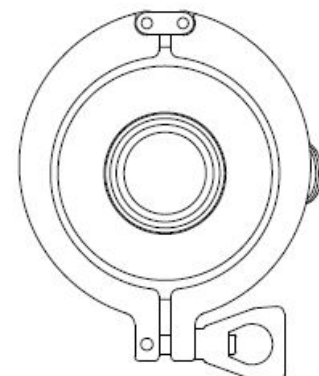
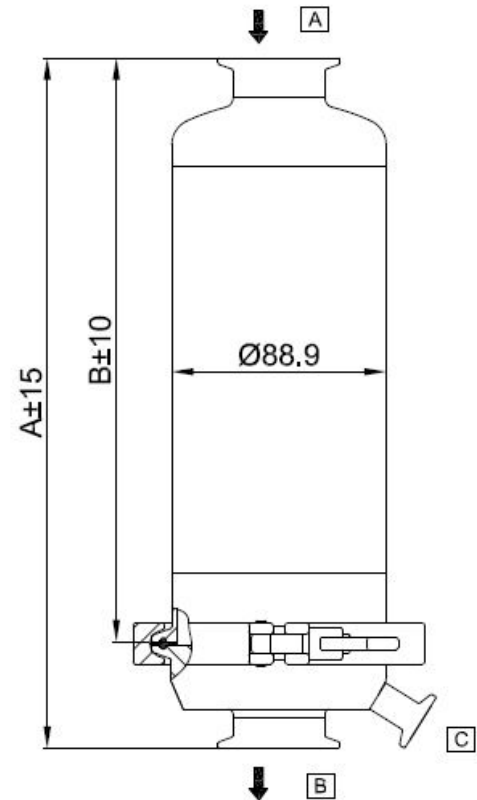
FILTER SERIES 810 - 1-ROUND IN-LINE LIQUID HOUSING

HOUSING STYLE - IN-LINE-TYPE - Series ALN

ORDER CODE AND TECHNICAL EQUIPMENT						
Order-no.	No. of Cartridges	Bowl Height	Connection Inlet & Outlet	Nominal Diameter	Gasket	With Drain TC 0.5"
810010U25STT015L	01	05"	TC	1.5"	Silicone	x
810011U25STT015L	01	10"	TC	1.5"	Silicone	x
810012U25STT015L	01	20"	TC	1.5"	Silicone	x
810013U25STT015L	01	30"	TC	1.5"	Silicone	x
810010T25STT015L	01	05"	TC	1.5"	EPDM	x
810011T25STT015L	01	10"	TC	1.5"	EPDM	x
810012T25STT015L	01	20"	TC	1.5"	EPDM	x
810013T25STT015L	01	30"	TC	1.5"	EPDM	x

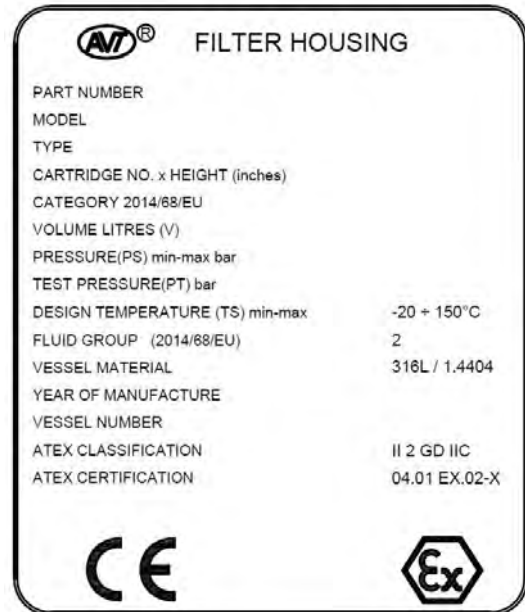
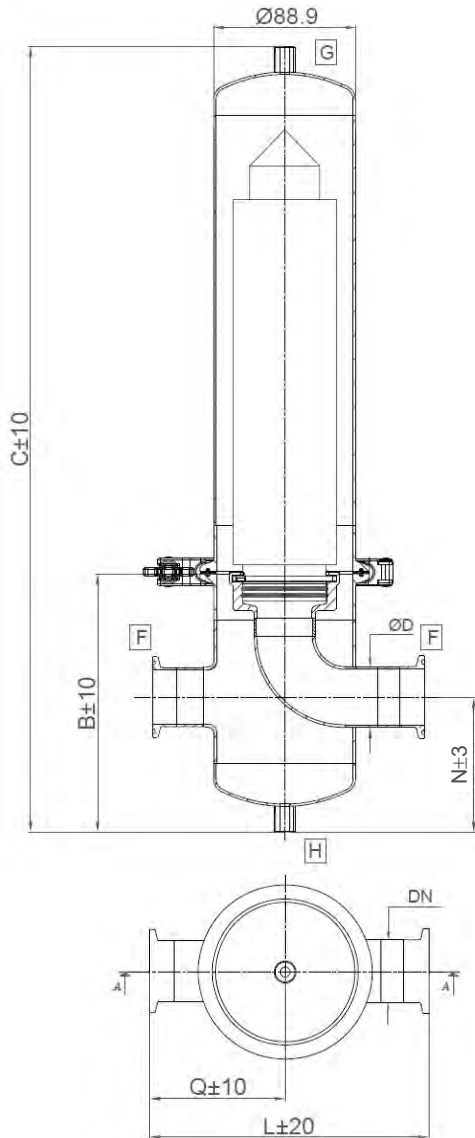
DIMENSIONAL DATA			
CARTRIDGE x HEIGHT (N)	A mm	B mm	PED Category
01 x 05"	272	227	4.3
01 x 10"	375	333	4.3
01 x 20"	625	581	4.3
01 x 30"	875	831	4.3

SPARE PARTS			
DESCRIPTION	MATERIAL	PART NO.	Q.TY
CLAMP 4"	AISI 304	8ZSLA-0002	1
GASKET 4"	SILICONE	8ZDSC-0001	1
GASKET 4"	EPDM	8ZDEC-0001	1



Type 810 - Gas 1-round Housings (10 bar Version)





TECHNICAL DATA	
FILTER HOUSING NAME	KMC
CARTRIDGES NUMBER	01
CARTRIDGE SOCKET	226 CODE 7
CERTIFICATION 2014/68/EU (*)	ART 4.3 (no CE mark) I CAT -only for KMC013 & KMC014-
DESIGN PRESSURE(PS)	-1 ÷ 10 bar
DESIGN TEMPERATURE(TS)	-20 ÷ 150°C
TEST PRESSURE (PT)	14.5 bar
VESSEL MATERIAL	AISI 316L W.N. 1.4404
INTERNAL FINISHING	mechanical polishing
INTERNAL ROUGHNESS	Ra≤0.8 micron -guaranteed only on downstream-
EXTERNAL FINISHING	mechanical polishing

HOUSING STYLE - T-TYPE - Series KMC

DIMENSIONAL DATA					
CARTRIDGE x HEIGHT (N)	C [mm] with Vent & Drain BSPF 1/4" female	C [mm] with Vent TC 1.5" & Drain TC 0.5"	B [mm] with Drain BSPF 1/4" female	B [mm] with Drain TC 0.5"	PED Category
01 x 5"	381	381	178	168	4.3
01 x 10"	501	501	178	168	4.3
01 x 20"	751	751	178	168	4.3
01 x 30"	1001	1001	178	168	I
01 x 40"	1251	1251	178	168	I

CLAMP			
Dimension	L [mm]	Q [mm]	N [mm]
1.5" (38.1mm x 1.65mm)	129	62	99

DIN 11851 MALE PART			
Dimension	L [mm]	Q [mm]	N [mm]
DN40	188	81	99

BUTT WELD ASME BPE			
Dimension	L [mm]	Q [mm]	N [mm]
1.5" (38.1mm x 1.65mm)	264	129	99

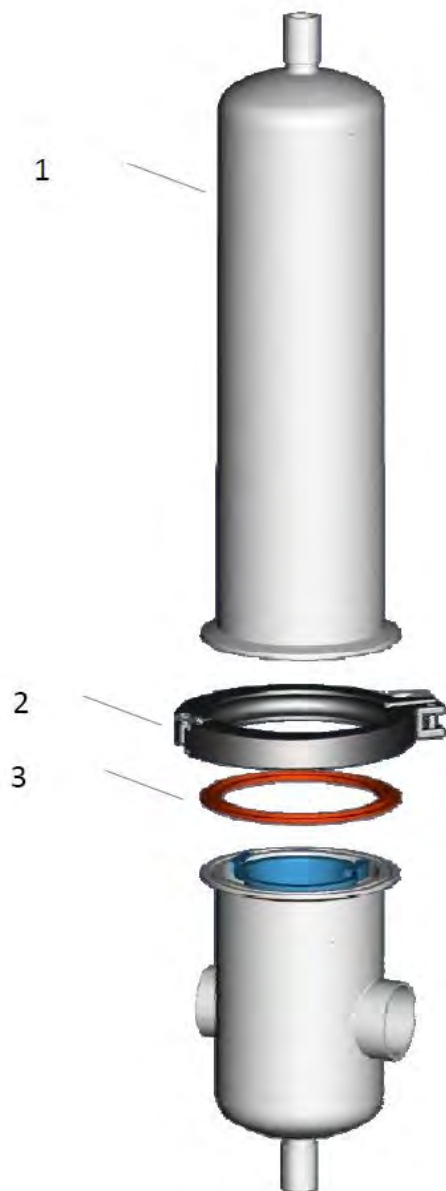
PACKAGING SIZE AND WEIGHT			
CARTRIDGE x HEIGHT (N)	BOWL WEIGHT [kg]	TOTAL NET WEIGHT [kg]	TOTAL WEIGHT PACKED [kg]
01 x 5"	0.7	2.6	3.6
01 x 10"	1.1	3.0	4.0
01 x 20"	1.9	4.0	5.0
01 x 30"	2.7	5.0	6.0
01 x 40"	3.5	6.0	7.0

FILTER SERIES 810 10bar - 1 ROUND GAS HOUSING

HOUSING STYLE - T-TYPE - Series KMC

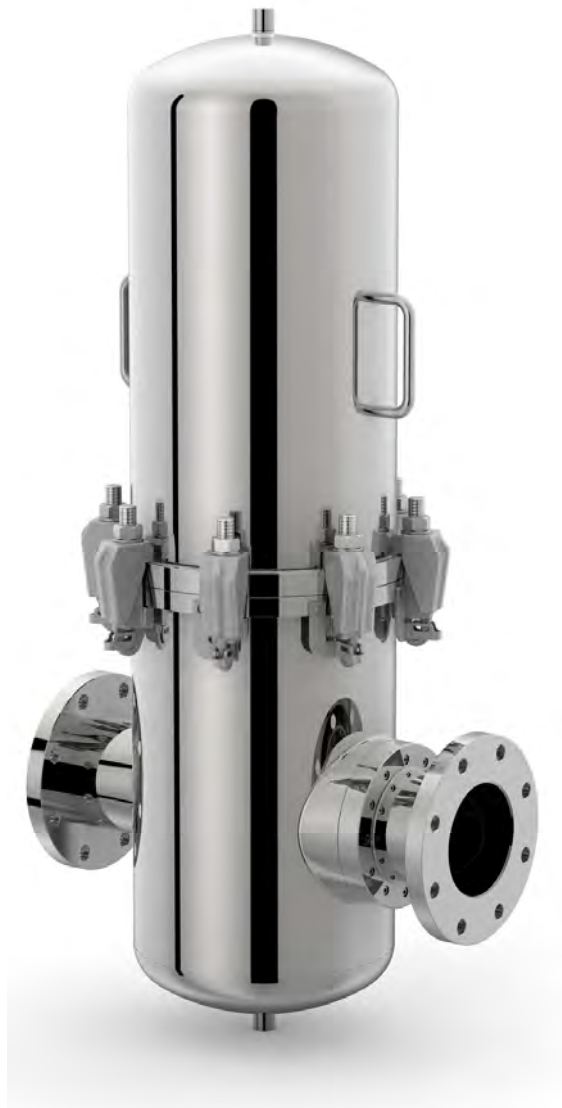
ORDER CODE AND TECHNICAL EQUIPMENT							
Order-no.	No. of Cartridges	Bowl Height	Connection	Nominal Diameter	Gasket	With Vent & Drain BSPF 1/4" female [G/H]	With Vent TC 1.5" & Drain TC 0.5" [G/H]
810010025GTT015L	01	5"	TC	1.5"	Silicone	x	
810010N25GTT015L	01	5"	TC	1.5"	EPDM	x	
810010025GSS015L	01	5"	Welding Stubs	1.5"	Silicone	x	
810010N25GSS015L	01	5"	Welding Stubs	1.5"	EPDM	x	
810010025GGG015L	01	5"	DIN 11851 Male Part	DN 40	Silicone	x	
810010N25GGG015L	01	5"	DIN 11851 Male Part	DN 40	EPDM	x	
810011025GTT015L	01	10"	TC	1.5"	Silicone	x	
810011N25GTT015L	01	10"	TC	1.5"	EPDM	x	
810011025GSS015L	01	10"	Welding Stubs	1.5"	Silicone	x	
810011N25GSS015L	01	10"	Welding Stubs	1.5"	EPDM	x	
810011025GGG015L	01	10"	DIN 11851 Male Part	DN 40	Silicone	x	
810011N25GGG015L	01	10"	DIN 11851 Male Part	DN 40	EPDM	x	
810012025GTT015L	01	20"	TC	1.5"	Silicone	x	
810012N25GTT015L	01	20"	TC	1.5"	EPDM	x	
810012025GSS015L	01	20"	Welding Stubs	1.5"	Silicone	x	
810012N25GSS015L	01	20"	Welding Stubs	1.5"	EPDM	x	
810012025GGG015L	01	20"	DIN 11851 Male Part	DN 40	Silicone	x	
810012N25GGG015L	01	20"	DIN 11851 Male Part	DN 40	EPDM	x	
810013025GTT015L	01	30"	TC	1.5"	Silicone	x	
810013N25GTT015L	01	30"	TC	1.5"	EPDM	x	
810013025GSS015L	01	30"	Welding Stubs	1.5"	Silicone	x	
810013N25GSS015L	01	30"	Welding Stubs	1.5"	EPDM	x	
810013025GGG015L	01	30"	DIN 11851 Male Part	DN 40	Silicone	x	
810013N25GGG015L	01	30"	DIN 11851 Male Part	DN 40	EPDM	x	
810014025GTT015L	01	40"	TC	1.5"	Silicone	x	
810014N25GTT015L	01	40"	TC	1.5"	EPDM	x	
810014025GSS015L	01	40"	Welding Stubs	1.5"	Silicone	x	
810014N25GSS015L	01	40"	Welding Stubs	1.5"	EPDM	x	
810014025GGG015L	01	40"	DIN 11851 Male Part	DN 40	Silicone	x	
810014N25GGG015L	01	40"	DIN 11851 Male Part	DN 40	EPDM	x	
810010025ITT015L	01	5"	TC	1.5"	Silicone		x
810010N25ITT015L	01	5"	TC	1.5"	EPDM		x
810011025ITT015L	01	10"	TC	1.5"	Silicone		x
810011N25ITT015L	01	10"	TC	1.5"	EPDM		x
810012025ITT015L	01	20"	TC	1.5"	Silicone		x
810012N25ITT015L	01	20"	TC	1.5"	EPDM		x
810013025ITT015L	01	30"	TC	1.5"	Silicone		x
810013N25ITT015L	01	30"	TC	1.5"	EPDM		x
810014025ITT015L	01	40"	TC	1.5"	Silicone		x
810014N25ITT015L	01	40"	TC	1.5"	EPDM		x

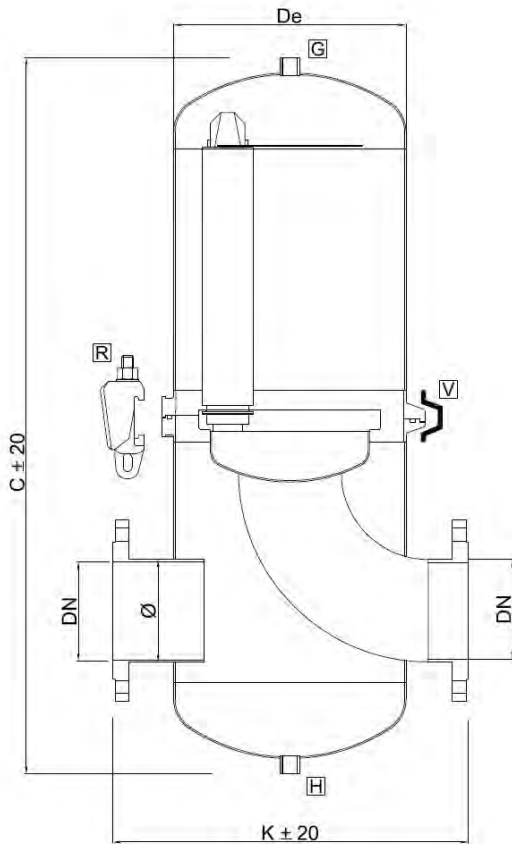
SPARE PARTS				
POS.	DESCRIPTION	MATERIAL	PART NO.	Q.TY
1	HOUSING BOWL	AISI 316L	-	1
2	CLAMP 3.5"	AISI 304	8ZSLA-0014	1
4	GASKET CLAMP 3.5"	SILICONE	8ZDSC-0033	1
	GASKET CLAMP 3.5"	EPDM	8ZDEC-0033	1





Type 805 - Gas Multi-round Housings (5 bar Version)





DATA LABEL EXAMPLE

AVT[®] FILTER HOUSING

PART NUMBER

MODEL

TYPE

CARTRIDGE NO. x HIGH (inch) (N)

CATEGORY CE 2014/68/EU (M)

VOLUME LITRES (V)

PRESSURE(PS) min-max bar -1 ÷ 5

TEST PRESSURE(PT) bar 11.5

DESIGN TEMPERATURE (TS) min-max -20 ÷ 150°C

FLUID GROUP (Art.13 - 2014/68/EU) 2 - NOT DANG.

VESSEL MATERIAL 316L / 1.4404

YEAR OF MANUFACTURE

VESSEL NUMBER

CE XXXX

FASTENING SYSTEMS	
V	VEE BAND
R	SCREW CLAMP

TECHNICAL DATA	
VESSEL RANGE	AIR
DESIGN CODE	EN-13445
FLUID GROUP	2 (NOT DANGEROUS)
PHISICAL STATE	GAS
DESIGN PRESSURE (PS) min max	-1 ÷ 5 bar
DESIGN TEMPERATURE (TS) max	150° C
TEST PRESSURE (PT)	11.5 bar
CARTRIDGES SOCKET	CODE 7
VESSEL MATERIAL	316L / 1.4404
SEALS MATERIAL	SILICONE FDA APPROVED
INTERNAL FINISHING UPSTREAM	PICKLED
INTERNAL FINISHING DOWNSTREAM	MECHANICAL POLISHING
INTERNAL ROUGHNESS DOWNSTREAM	RA<0.8 MICRON
EXTERNAL FINISHING	SHOT BLASTED
VENT CONNECTION G	BSP 1/2" FEMALE / CLAMP 1.5"
DRAIN CONNECTION H	BSP 1/2" FEMALE / CLAMP 1.5"

DIMENSIONAL DATA							
CARTRIDGE x HEIGHT (N)	FASTENING SYTEM	De [mm]	C [mm]	K [mm]	CONNECTIONS DN max / Ø max mm	TOTAL VOLUME [L]	PED Category
03 x 10"	V	219	829	443	DN 100 / Ø 114.3mm	33	I
03 x 20"			1079			42	II
05 x 10"	V	273	875	511	DN 125 / Ø 139.7mm	46	II
05 x 20"			1125			61	II
08 x 10"	R	320	935	515	DN 125 / Ø 139.7mm	59	II
08 x 20"			1175			82	II

FILTER SERIES 805 5bar - MULTI-ROUND GAS HOUSING

HOUSING STYLE - T-TYPE - Series AIR

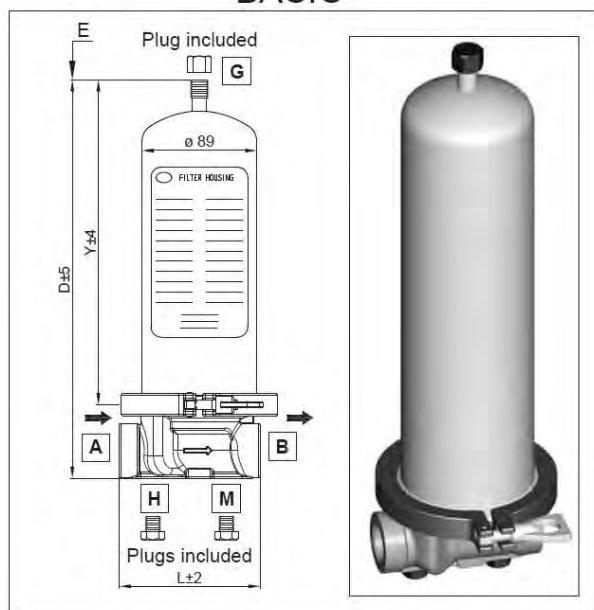
ORDER CODE AND TECHNICAL EQUIPMENT								
Order-no.	No. of Cartridges	Bowl Height	Connection	Nominal Diameter	Gasket	With Vent & Drain BSPF 1/2" female	With Vent & Drain TC 1.5"	Standard
805031Q25QEE100L	03	10"	FLANGE DIN EN 1092-1	DN 100	Silicone	x		x
805031P25QEE100L	03	10"	FLANGE DIN EN 1092-1	DN 100	EPDM	x		
805032Q25QEE100L	03	20"	FLANGE DIN EN 1092-1	DN 100	Silicone	x		x
805032P25QEE100L	03	20"	FLANGE DIN EN 1092-1	DN 100	EPDM	x		
805051Q25QEE125L	05	10"	FLANGE DIN EN 1092-1	DN 125	Silicone	x		x
805051P25QEE125L	05	10"	FLANGE DIN EN 1092-1	DN 125	EPDM	x		
805052Q25QEE125L	05	20"	FLANGE DIN EN 1092-1	DN 125	Silicone	x		x
805052P25QEE125L	05	20"	FLANGE DIN EN 1092-1	DN 125	EPDM	x		
805081Q25QEE125L	08	10"	FLANGE DIN EN 1092-1	DN 125	Silicone	x		x
805081P25QEE125L	08	10"	FLANGE DIN EN 1092-1	DN 125	EPDM	x		
805082Q25QEE125L	08	20"	FLANGE DIN EN 1092-1	DN 125	Silicone	x		x
805082P25QEE125L	08	20"	FLANGE DIN EN 1092-1	DN 125	EPDM	x		
805031Q25REE100L	03	10"	FLANGE DIN EN 1092-1	DN 100	Silicone		x	x
805031P25REE100L	03	10"	FLANGE DIN EN 1092-1	DN 100	EPDM		x	
805032Q25REE100L	03	20"	FLANGE DIN EN 1092-1	DN 100	Silicone		x	x
805032P25REE100L	03	20"	FLANGE DIN EN 1092-1	DN 100	EPDM		x	
805051Q25REE125L	05	10"	FLANGE DIN EN 1092-1	DN 125	Silicone		x	x
805051P25REE125L	05	10"	FLANGE DIN EN 1092-1	DN 125	EPDM		x	
805052Q25REE125L	05	20"	FLANGE DIN EN 1092-1	DN 125	Silicone		x	x
805052P25REE125L	05	20"	FLANGE DIN EN 1092-1	DN 125	EPDM		x	
805081Q25REE125L	08	10"	FLANGE DIN EN 1092-1	DN 125	Silicone		x	x
805081P25REE125L	08	10"	FLANGE DIN EN 1092-1	DN 125	EPDM		x	
805082Q25REE125L	08	20"	FLANGE DIN EN 1092-1	DN 125	Silicone		x	x
805082P25REE125L	08	20"	FLANGE DIN EN 1092-1	DN 125	EPDM		x	
OTHER SIZES ON REQUEST								

Type 808 - industrial 1-round - liquid housing

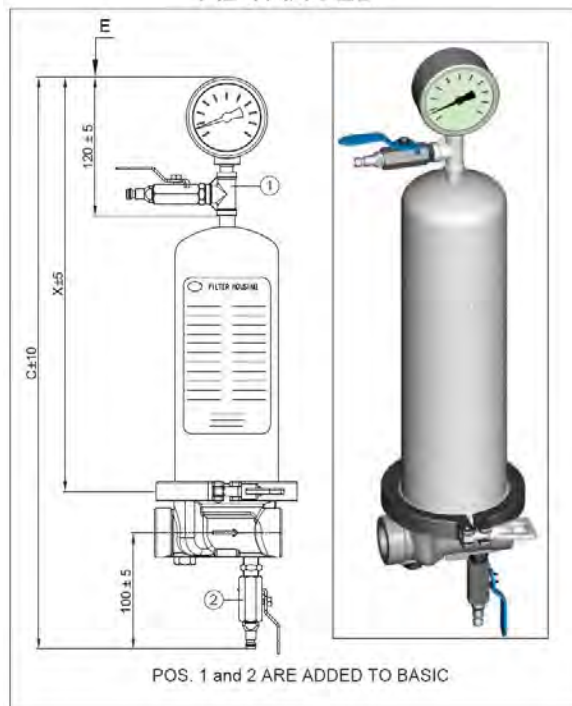


HOUSING STYLE - T-TYPE - Series FI

BASIC



ADVANCED



TECHNICAL DATA	
NO. CARTRIDGED	01
CARTRIDGE SOCKET	25 (Code 7)
CERTIFICATION	PED 2014/68/EU - art. 4 / sec. 3
FLUID GROUP	GROUP 2 (not dangerous)
DESIGN PRESSURE 0°C-40°C	8.0 bar
DESIGN PRESSURE 150°C	6.2 bar
TEST PRESSURE (PT)	10.5 bar
VESSEL MATERIAL	316L / 1.4404
GASKET	SILICONE
INTERNAL FINISHING	PICKLED
INTERNAL FINISHING	MECHANICAL POLISHING
DRAIN CONNECTION H + M	BSP 1/4" FEMALE
VENT CONNECTION G	BSP 1/4" MALE
DISTANCE L (ADAPTER 25 - CODE 7)	110 mm
DISTANCE L (ADAPTER 21 - CODE 8)	98 mm

AT[®] FILTER HOUSING

PART NUMBER

MODEL

TYPE

CARTRIDGE NO. x HIGH (inch)

CATEGORY 2014/68/EU ART. 4.3

VOLUME LITRES (V)

PRESSURE(PS) min-max at TS=-20÷40°C bar (*)

PRESSURE(PS) min-max at TS=150°C bar (*)

TEST PRESSURE(PT) bar

DESIGN TEMPERATURE (TS) min-max -20÷150°C

FLUID GROUP (Art.13 - 2014/68/EU) 1 AND 2

VESSEL MATERIAL 316L / 1.4404



YEAR OF MANUFACTURE

VESSEL NUMBER

ATEX CLASSIFICATION II 2 GD IIC

ATEX CERTIFICATION 04.01 EX.02-X

* THE INDICATED PRESSURES ARE FOR NOT DANGEROUS LIQUIDS (GROUP 2). FOR THE USE WITH OTHER FLUIDS SEE THE USER MANUAL.

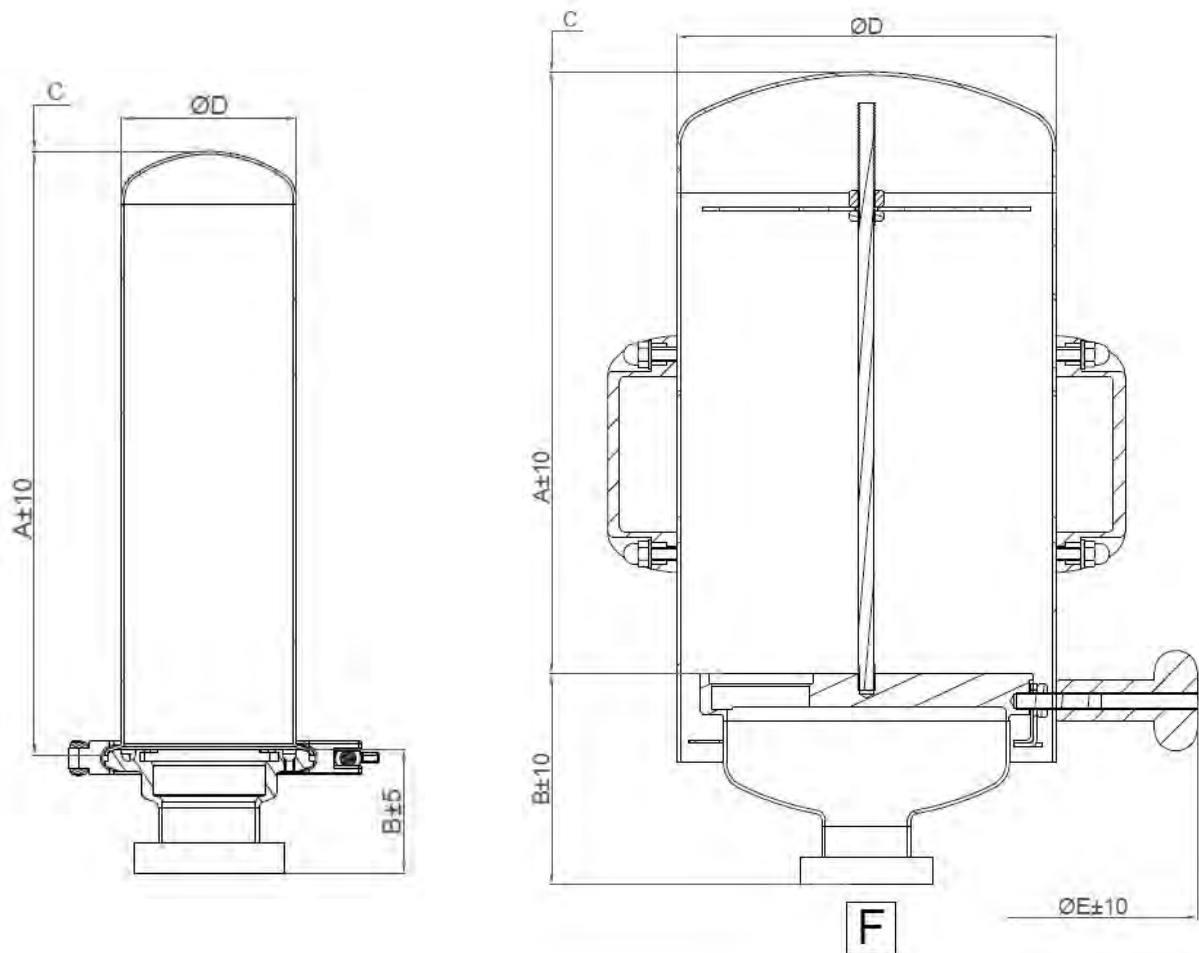



DIMENSIONAL DATA								
CARTRIDGE x HEIGHT (Y)	C mm	D mm	E mm	X mm	Y mm	VOLUME liters (V)	BOWL WEIGHT (kg)	TOTAL NET WEIGHT (kg)
01 x 10"	572	382	300	440	320	1.8	1.1	4
01 x 20"	827	637	554	695	575	3.3	1.9	4.8
01 x 30"	1082	892	808	950	830	4.8	2.7	5.6
01 x 40"	1337	1147	1062	1205	1085	6.3	3.5	6.4

ORDER CODE AND TECHNICAL EQUIPMENT						
Order-no.	No. of Cartridges	Bowl Height	Adapter	Version	Connection Inlet & Outlet	Gasket
808011E25LII034L	01	10"	25 (Code 7)	ADVANCED	BSP 3/4" FEMALE	Silicone
808012E25LII034L	01	20"	25 (Code 7)	ADVANCED	BSP 3/4" FEMALE	Silicone
808013E25LII034L	01	30"	25 (Code 7)	ADVANCED	BSP 3/4" FEMALE	Silicone
808011E25LII010L	01	10"	25 (Code 7)	ADVANCED	BSP 1" FEMALE	Silicone
808012E25LII010L	01	20"	25 (Code 7)	ADVANCED	BSP 1" FEMALE	Silicone
808013E25LII010L	01	30"	25 (Code 7)	ADVANCED	BSP 1" FEMALE	Silicone
808011E21LII034L	01	10"	21 (Code 8)	ADVANCED	BSP 3/4" FEMALE	Silicone
808012E21LII034L	01	20"	21 (Code 8)	ADVANCED	BSP 3/4" FEMALE	Silicone
808013E21LII034L	01	30"	21 (Code 8)	ADVANCED	BSP 3/4" FEMALE	Silicone
808011E21LII010L	01	10"	21 (Code 8)	ADVANCED	BSP 1" FEMALE	Silicone
808012E21LII010L	01	20"	21 (Code 8)	ADVANCED	BSP 1" FEMALE	Silicone
808013E21LII010L	01	30"	21 (Code 8)	ADVANCED	BSP 1" FEMALE	Silicone

Type 800 - Vent Housings (Pressureless)





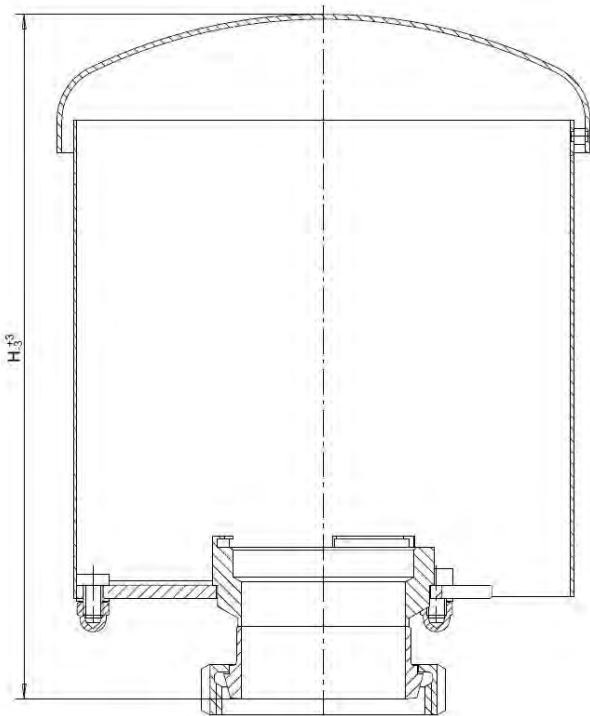
TECHNICAL DATA

FILTER HOUSING NAME	VSN
CARTRIDGE SOCKET	226- COD7
FLUID PHYSICAL STATE	GAS
ATEX REGULATION	GROUP2 CAT2 GAS&DUST FLUID GR IIC zone 1 & 21
VESSEL MATERIAL	aisi 316l / w.n. 1.4404
INTERNAL FINISHING	mechanical polishing
EXTERNAL FINISHING	mechanical polishing

DIMENSIONAL DATA							
CARTRIDGE x HEIGHT (N)	A [mm]	B [mm]		C [mm] <small>(height needed for removing the bell over the cartridges)</small>	D [mm]	E [mm]	HANDLES
		CLAMP ASME BPE	DIN 11851 LINER				
01 x 10"	315	43	59	300	88.9	130	NO
01 x 20"	565	43	59	550	88.9	130	NO
01 x 30"	815	43	59	800	88.9	130	NO
03 x 10"	351	97	127	300	219	400	NO
03 x 20"	601	97	127	550	219	400	YES
03 x 30"	851	97	127	800	219	400	YES
05 x 10"	345	106	133	300	219	400	NO
05 x 20"	595	106	133	550	219	400	YES
05 x 30"	845	106	133	800	219	400	YES
08 x 10"	349	120	147	300	273	440	NO
08 x 20"	599	120	147	550	273	440	YES
08 x 30"	849	120	147	800	273	440	YES

ORDER CODE AND TECHNICAL EQUIPMENT				
Order-no.	No. of Cartridges	Bowl Height	Connection Type Nominal Diameter / Size	
			Clamp ASME BPE	DIN 11851 Liner
800011R25JTT020L	01	10"	2" (50.8mm x 1.65mm)	
800012R25JTT020L	01	20"	2" (50.8mm x 1.65mm)	
800013R25JTT020L	01	30"	2" (50.8mm x 1.65mm)	
800031R25JTT030L	03	10"	3" (76.2mm x 1.65mm)	
800032R25JTT030L	03	20"	3" (76.2mm x 1.65mm)	
800033R25JTT030L	03	30"	3" (76.2mm x 1.65mm)	
800051R25JTT040L	05	10"	4" (101.2mm x 2.11mm)	
800052R25JTT040L	05	20"	4" (101.2mm x 2.11mm)	
800053R25JTT040L	05	30"	4" (101.2mm x 2.11mm)	
800081R25JTT040L	08	10"	4" (101.2mm x 2.11mm)	
800082R25JTT040L	08	20"	4" (101.2mm x 2.11mm)	
800083R25JTT040L	08	30"	4" (101.2mm x 2.11mm)	
800011R25JKK050L	01	10"		DN 50
800012R25JKK050L	01	20"		DN 50
800013R25JKK050L	01	30"		DN 50
800031R25JKK080L	03	10"		DN 80
800032R25JKK080L	03	20"		DN 80
800033R25JKK080L	03	30"		DN 80
800051R25JKK100L	05	10"		DN 100
800052R25JKK100L	05	20"		DN 100
800053R25JKK100L	05	30"		DN 100
800081R25JKK100L	08	10"		DN 100
800081R25JKK100L	08	20"		DN 100
800081R25JKK100L	08	30"		DN 100

OTHER SIZES ON REQUEST



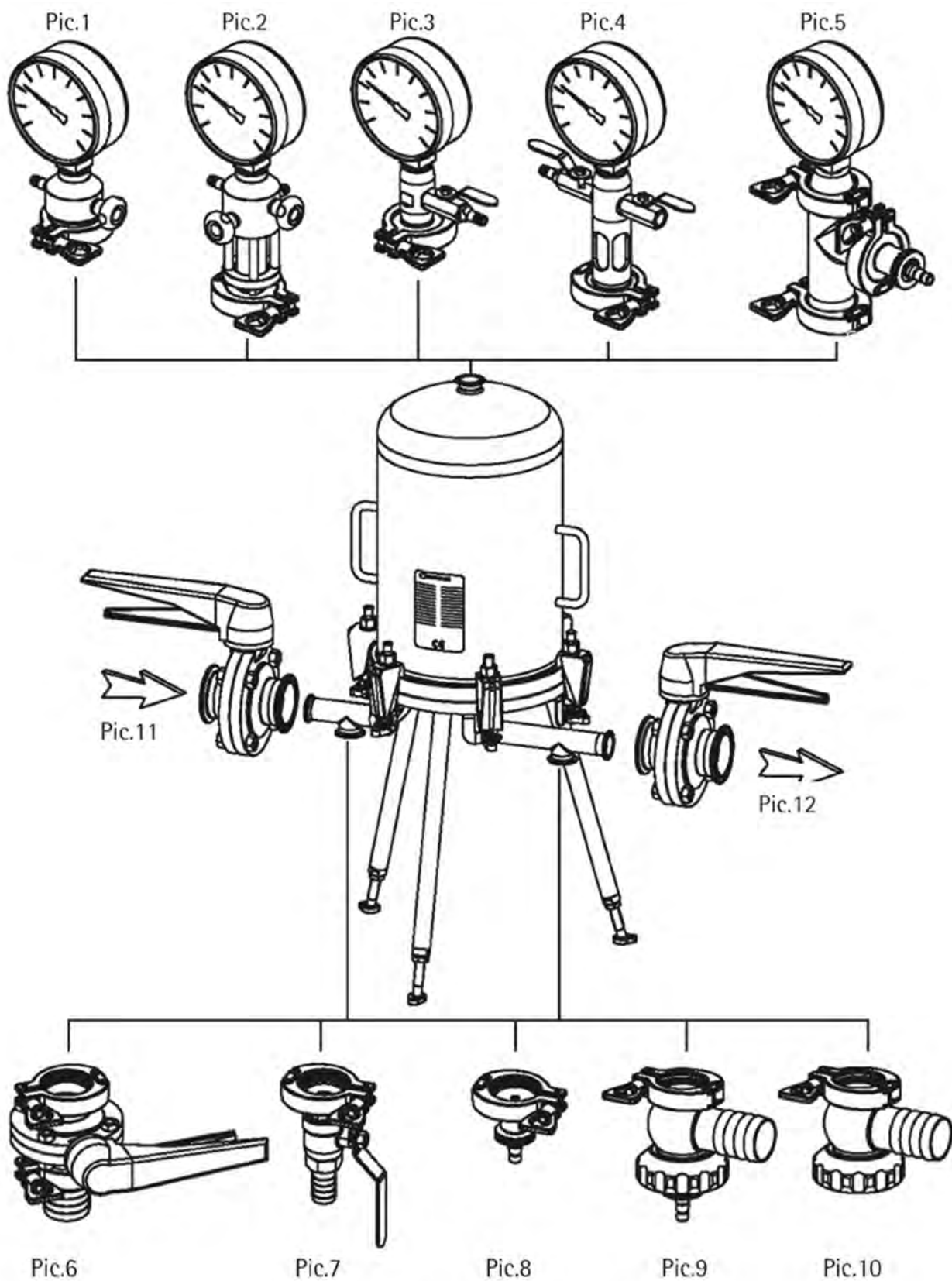
TECHNICAL DATA	
Material	316L
Internal Surface	Ra 0.8µm EP
External Surface	RA 1.6µm EP
Sartorius Adapter	40
Qty. cartridge	1
Height	10", 20" & 30"
Connector	DIN 11851

Parts not in contact with the Medium are made by Stainless Steel 304. Jumbo vent housings are delivered with Certificates of the materials.

ORDER CODE AND TECHNICAL EQUIPMENT			
Order-no.	No. of Cartridges	Bowl Height	Connection Type
355011V40-K100B	01	10"	DN 100 (104x2)
355012V40-K100B	01	20"	DN 100 (104x2)
355013V40-K100B	01	30"	DN 100 (104x2)

Accessories





Order code – see next page

PICTURE	DESCRIPTION	ORDER-No.
1	Gauge + Sanitary Valve 0-10 bar Clamp 50,5mm	8ZML--0004
2	Vent + Sight Glass + Sanitary Valve 0-10 bar Clamp 50,5mm	8ZML--0006
3	Gauge + Ball Valve Clamp 50,5mm	8ZML--0002
4	2 Ball Valves + Sight Glass	8ZVL--0014
5	Vent & Valve Clamp & Diaphragm Pressure Gauge 10bar	8ZML--0021
6	Butterfly Valve 1,5" with Clamp + Hose Adapter Clamp 50,5mm	8ZVL--0004
7	Ball Valve with Clamp + Hose Adapter Clamp 50,5mm	8ZVL--0002
8	Sampling / Test Valve Clamp	8ZVL--0005
9	Angle Valve + Sampling	8ZVL--0015
10	Angle Valve	8ZVL--0021
11/12	Butterfly Valve – Clamp 1.0" - 316L	8ZVL--0016
11/12	Butterfly Valve – Clamp 1.5" - 316L	8ZVL--0017
11/12	Butterfly Valve – Clamp 2.0" - 316L	8ZVL--0008
11/12	Butterfly Valve – Clamp 2.5" - 316L	8ZVL--0018
11/12	Butterfly Valve – Clamp 3.0" - 316L	8ZVL--0019



Type 813 (13 bar Version)

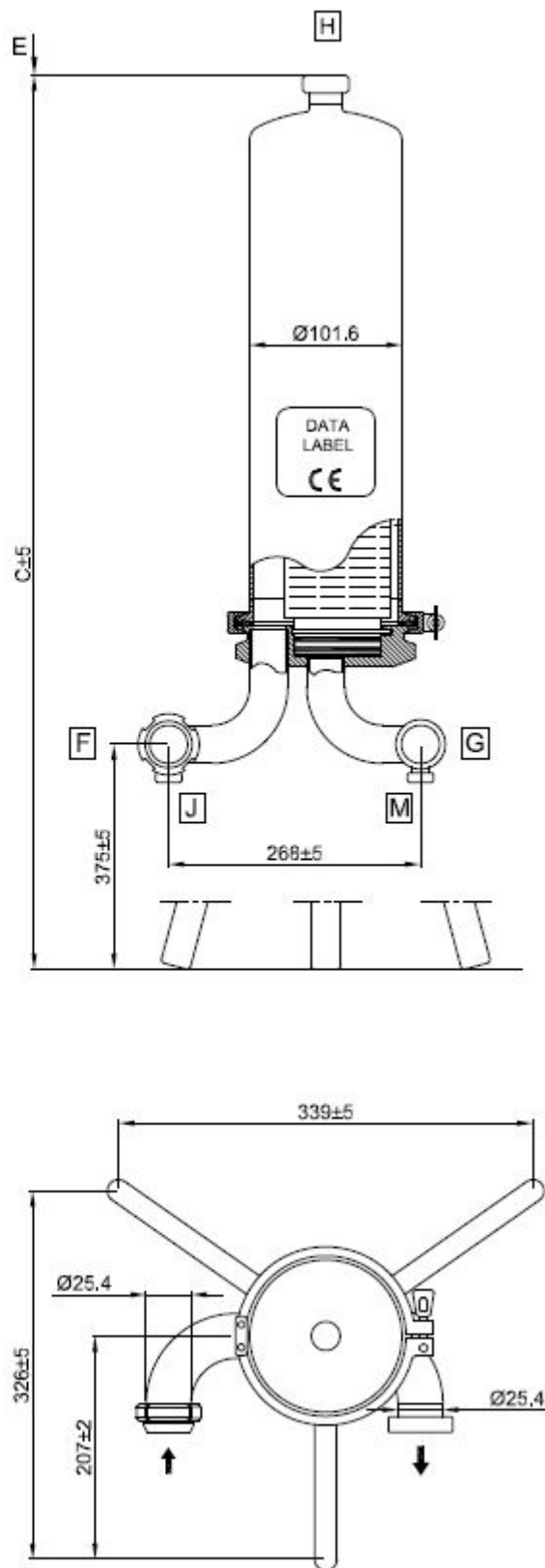
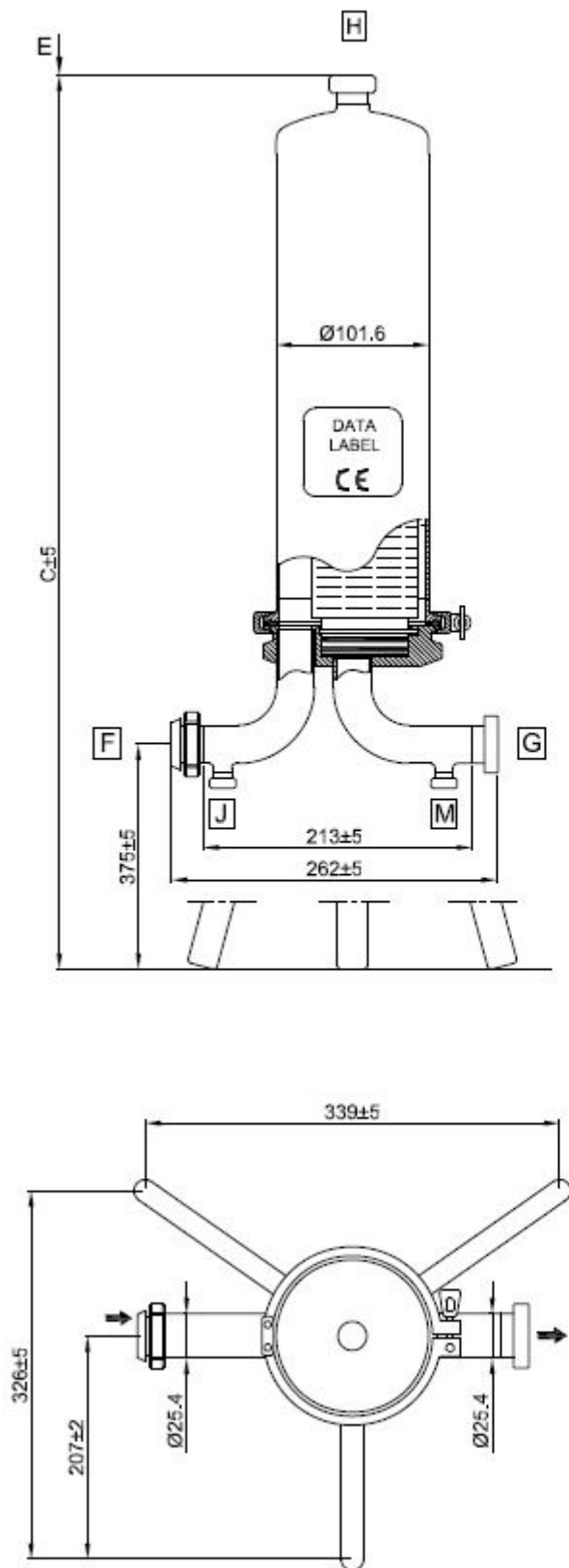


FILTER SERIES 813 - 01-ROUND HOUSING

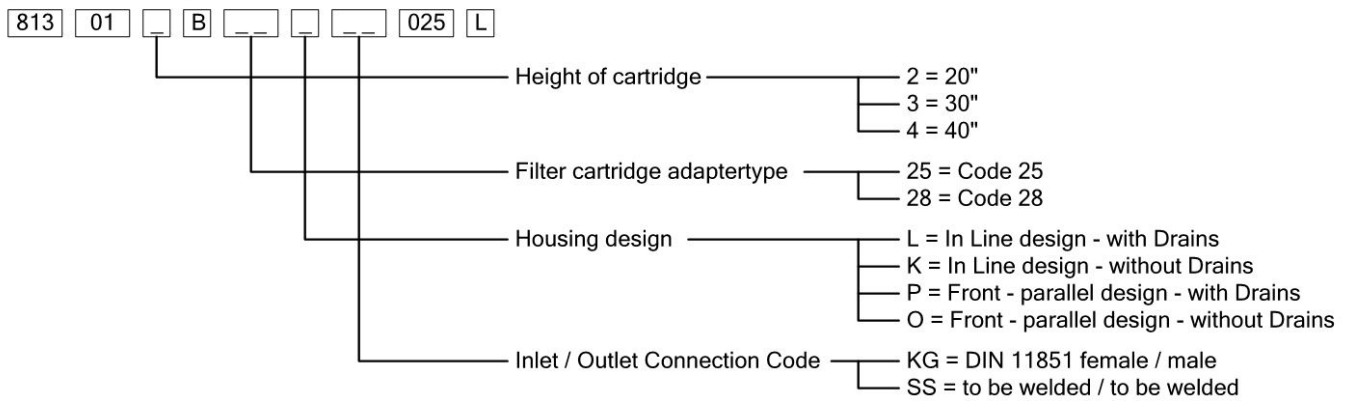
HOUSING STYLE - T-TYPE - Series SA - DSH Ver. 05

Connection Style 1 - In Line


Connection Style 2 - Front



Order Numbers




DATA LABEL



FILTER HOUSING

PART NUMBER	
TYPE	" TYPE "
CARTRIDGE NO. x HIGH (Inch)	01 x " H "
CATEGORY 2014/68/EU	I
VOLUME LITRES (V)	" V "
MAX PRESSURE (PS) at TS=0-40°C bar	13
MAX PRESSURE (PS) at TS=150°C bar	4
TEST PRESSURE bar (PT)	18.6
DESIGN TEMPERATURE (TS) MIN-MAX	0 - 150°C
FLUID GROUP	2 - NOT DANG.
PHISICAL STATE	LIQUID / GAS
VESSEL MATERIAL	316L / 1.4404
YEAR OF MANUFACTURE	
VESSEL NUMBER	

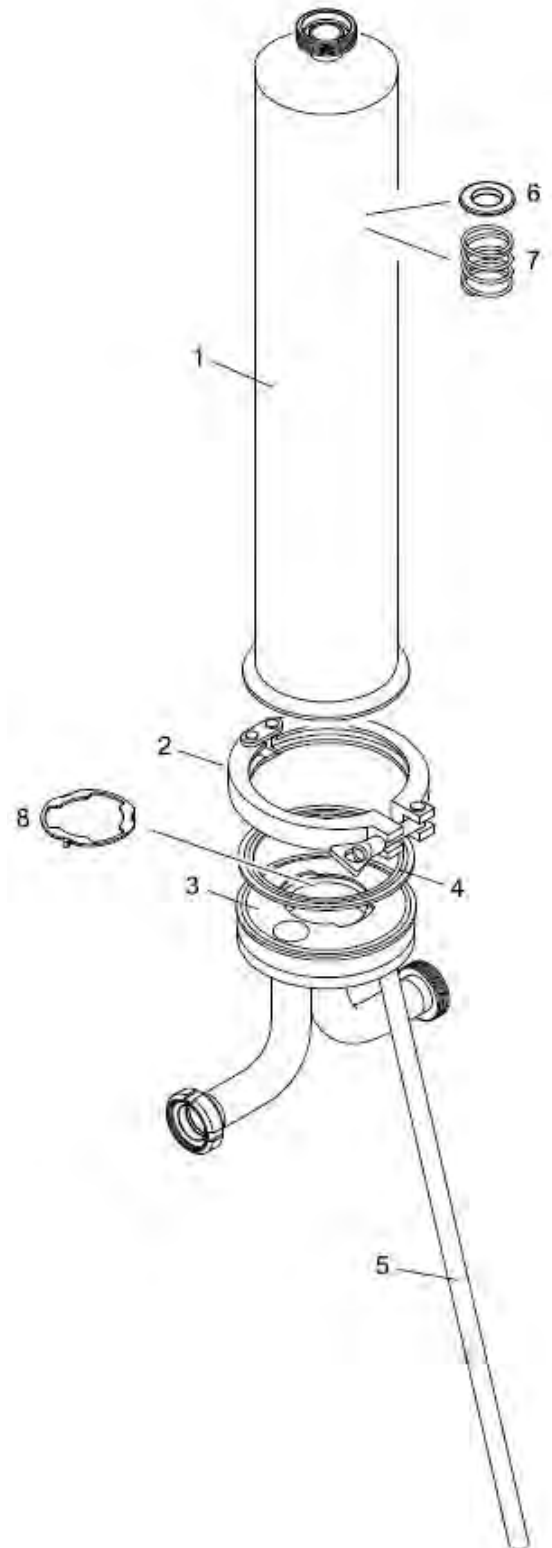


TECHNICAL DATA

VESSEL RANGE	SA - SANITARY
NO. CARTRIDGES	01
DESIGN CODE	AD MERKBLATT
CERTIFICATION	2014/68/EU
PED CATEGORY	I
DESIGN PRESSURE 0-40°(PS)	13 bar
DESIGN PRESSURE 150°(PS)	4 bar
WORKING PRESSURE 0-40°	13 bar
WORKING PRESSURE 150°	4 bar
DESIGN TEMP. MIN-MAX (TS)	0 - 150°C
VESSEL MATERIAL	316L / 1.4404
TEST PRESSURE (PT)	18.6 bar
FLUID GROUP	2 (NOT DANGEROUS)
PHISICAL STATE	LIQUID/GAS
SEALS MATERIAL	SILICON FDA BGA APPROVED
INTERNAL FINISHING	MECHANICAL POLISHING
INTERNAL ROUGHTNESS	RA<0.8 MICRON
EXTERNAL FINISHING	MECHANICAL POLISHING
VENT CONNECTION H	DIN11851 DN 25 MALE
DRAIN CONNECTION J	DIN11851 DN 15 MALE
DRAIN CONNECTION M	DIN11851 DN 15 MALE
INLET CONNECTION F	DIN11851 LINER
OUTLET CONNECTION G	DIN11851 MALE

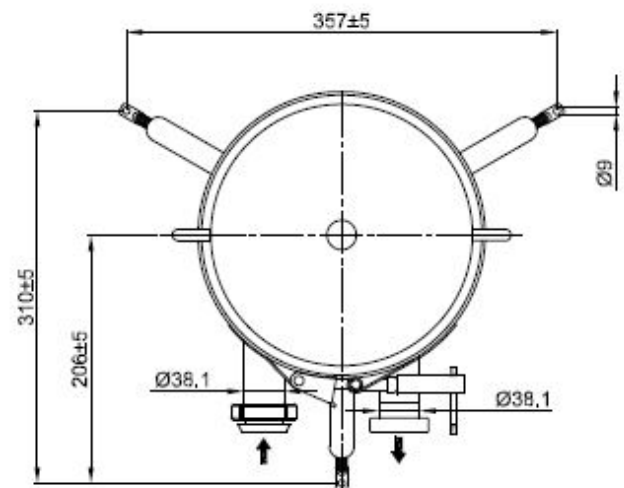
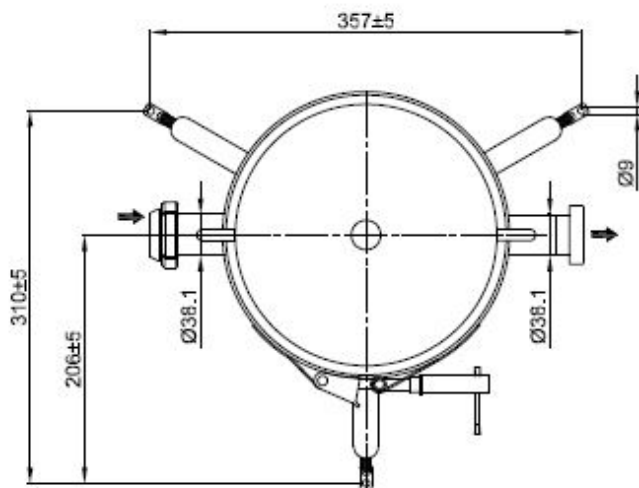
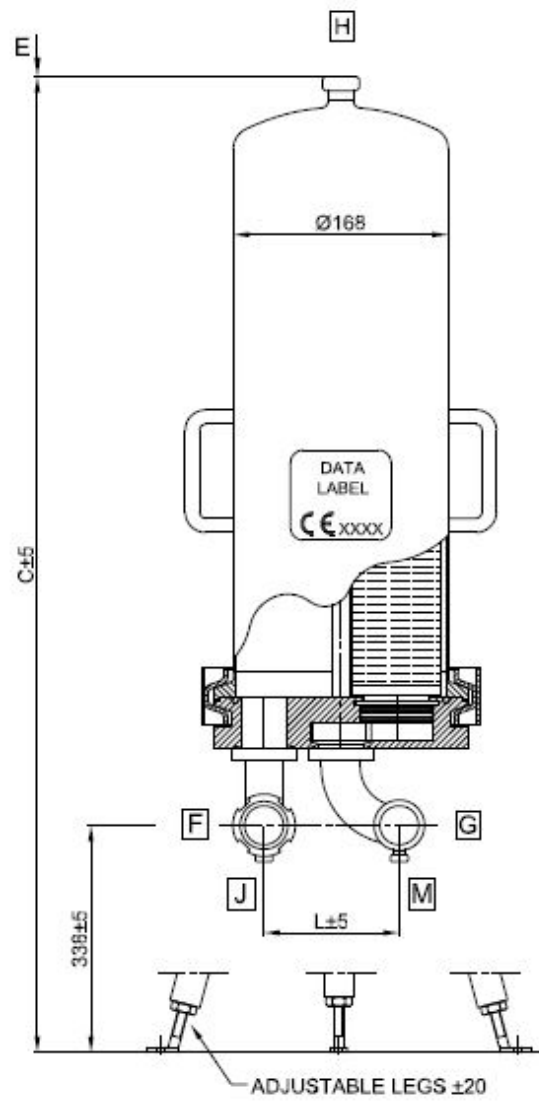
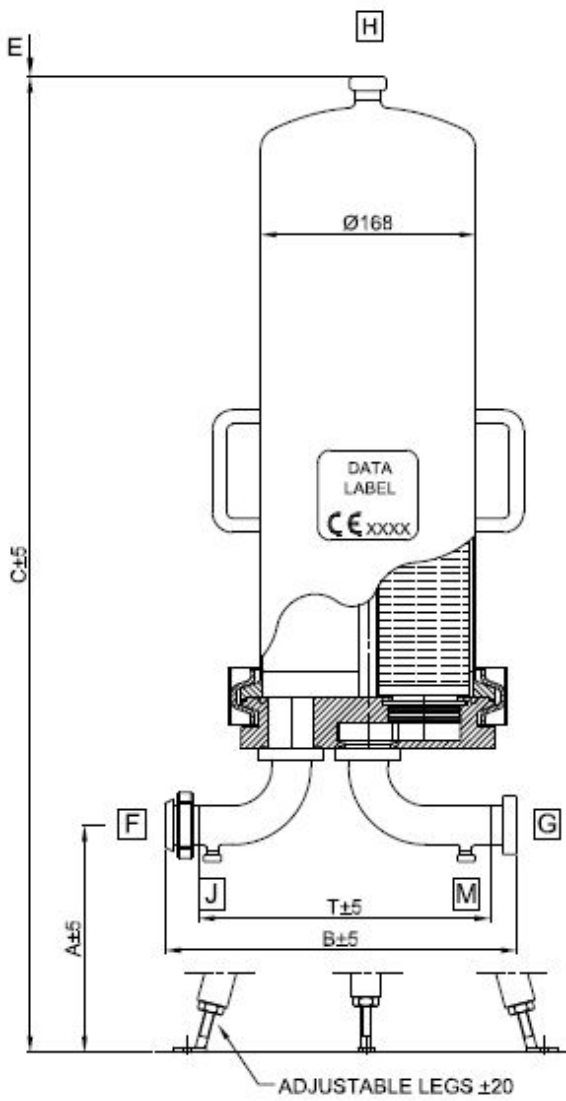
VESSEL TYPE	SA012	SA013	SA014
CARTRIDGES HEIGHT (H)	20"	30"	40"
C mm	1060	1310	1560
E mm	550	800	1050
TOTAL VESSEL VOLUME litres (V)	4.8	6.7	8.6
BOWL WEIGHT kg	3.3	4.6	5.9
TOTAL NET WEIGHT kg	8.2	9.4	10.6
PACKAGING SIZE cm30x27x	112	112	127
TOTAL WEIGHT PACKED kg	9.5	11	11

SPARE PARTS		
POS.	DESCRIPTION	PART NO.
1.1	HOUSING BOWL 10"	-
1.2	HOUSING BOWL 20"	-
1.3	HOUSING BOWL 30"	-
1.4	HOUSING BOWL 40"	-
2	CLAMP 4"	8ZSLA-0002
3	CARTRIDGE PLATE & BENDS	-
4.1	GASKET CLAMP 4" - Silicone [STANDARD]	8ZDSC-0001
4.2	GASKET CLAMP 4" - EPDM	8ZDSC-0001
5	LEG	-
6	PROTECTION RING	-
7	SPRING	-
8	ADAPTER (ONLY FOR CODE 28)	-



Connection Style 1 - In Line

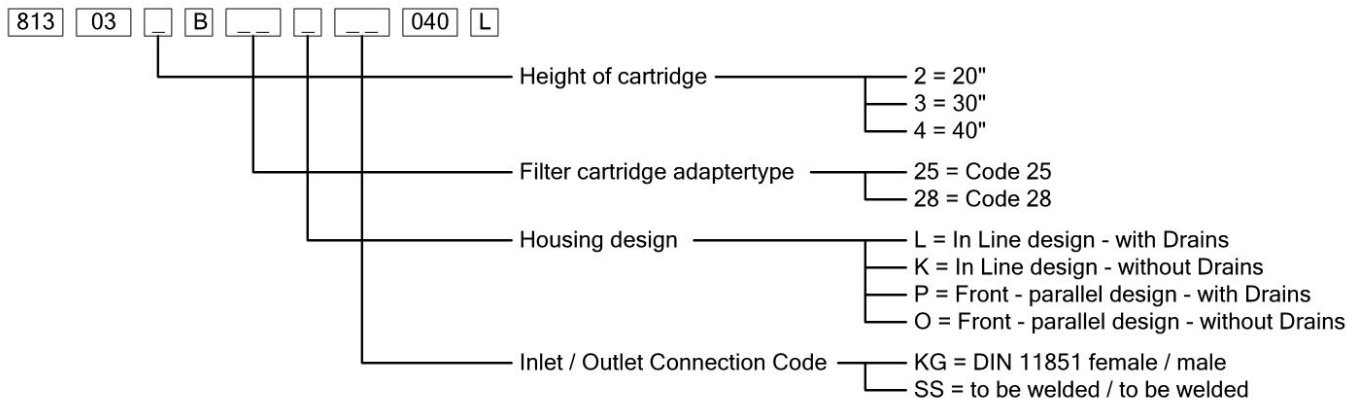
Connection Style 2 - Front




FILTER SERIES 813 - 03-ROUND HOUSING

HOUSING STYLE - T-TYPE - Series SA - DSH Ver. 06

Order Numbers



DATA LABEL



FILTER HOUSING

PART NUMBER

TYPE " TYPE "

CARTRIDGE NO. x HIGH (Inch) 03 x " H "

CATEGORY 2014/68/EU II

VOLUME LITRES (V) " V "

MAX PRESSURE(PS) at TS=0-40°C bar 13

MAX PRESSURE(PS) at TS=150°C bar 4

TEST PRESSURE bar (PT) 18,6

DESIGN TEMPERATURE (TS) MIN-MAX 0 - 150°C


FLUID GROUP (2014/68/EU) 2 - NOT DANG.

PHISICAL STATE LIQUID / GAS

VESSEL MATERIAL 316L / 1.4404

YEAR OF MANUFACTURE

VESSEL NUMBER


XXXX

TECHNICAL DATA

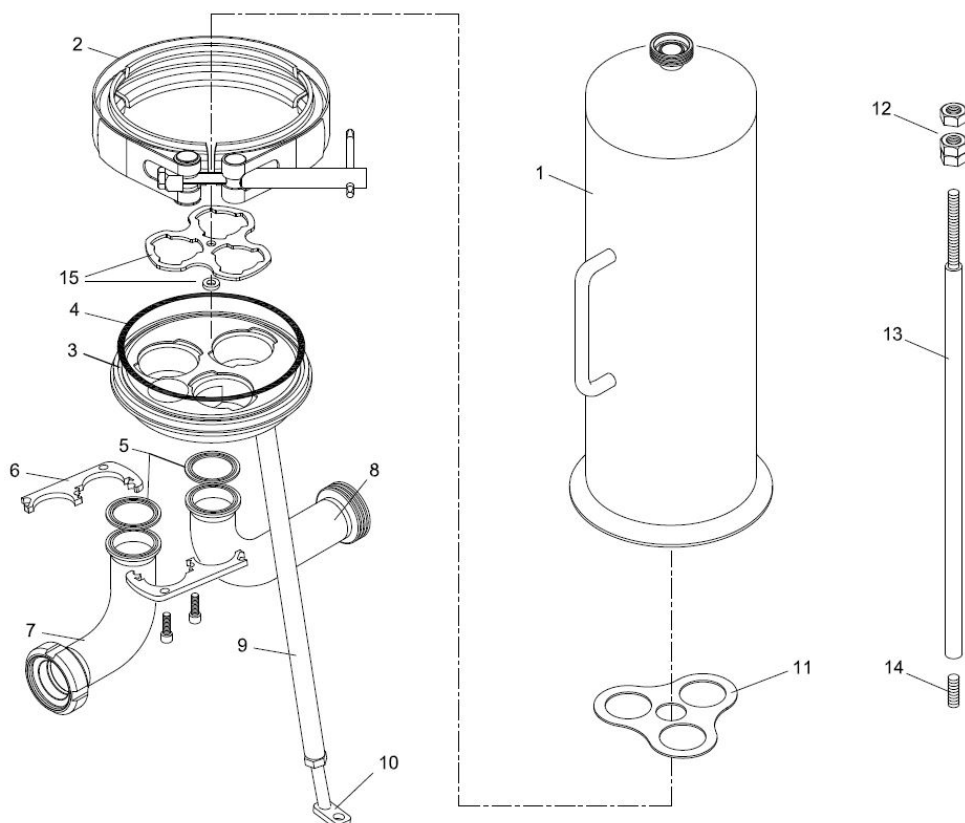
VESSEL RANGE	SA - SANITARY
NO. CARTRIDGES	03
DESIGN CODE	AD MERKBLATT
CERTIFICATION	2014/68/EU
HAZARD CATEGORY	SECOND (2014/68/EU)
DESIGN PRESSURE 0-40°(PS)	13 bar
DESIGN PRESSURE 150°(PS)	4 bar
WORKING PRESSURE 0-40°	13 bar
WORKING PRESSURE 150°	4 bar
DESIGN TEMP. MIN-MAX (TS)	0 - 150°C
VESSEL MATERIAL	316L / 1.4404
TEST PRESSURE (PT)	18,6 bar
FLUID GROUP	2 (NOT DANGEROUS)
PHISICAL STATE	LIQUID/GAS
SEALS MATERIAL	SILICON FDA BGA APPROVED
INTERNAL FINISHING	MECHANICAL POLISHING
INTERNAL ROUGHTNESS	RA<0.8 MICRON
EXTERNAL FINISHING	MECHANICAL POLISHING
VENT CONNECTION [H]	DIN11851 DN 25 MALE
DRAIN CONNECTION [J]	DIN11851 DN 15 MALE
DRAIN CONNECTION [M]	DIN11851 DN 15 MALE
INLET CONNECTION [F]	DIN11851 LINER
OUTLET CONNECTION [G]	DIN11851 MALE

VESSEL TYPE	SA032	SA033	SA034
CARTRIDGES HEIGHT (H)	20"	30"	40"
C mm	1060	1310	1560
E mm	540	790	1040
TOTAL VESSEL VOLUME lltres (V)	12,6	17,8	23,1
INTEGRITY TEST VOLUME lltres (VI)	7,5	10,4	13,3
BOWL WEIGHT kg	6	8	10
TOTAL NET WEIGHT kg	19,4	21,4	23,4
PACKAGING SIZE cm40x40x	100	116	138
TOTAL WEIGHT PACKED kg	25	27	29

FILTER SERIES 813 - 03-ROUND HOUSING

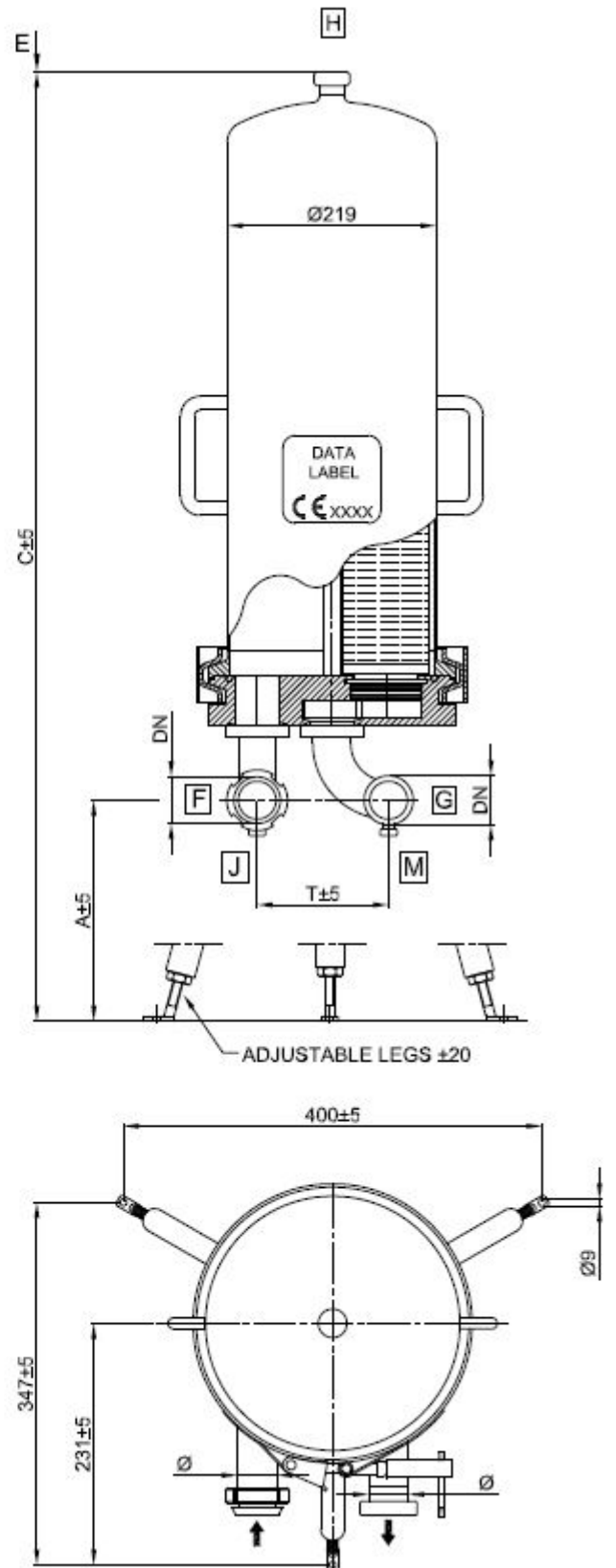
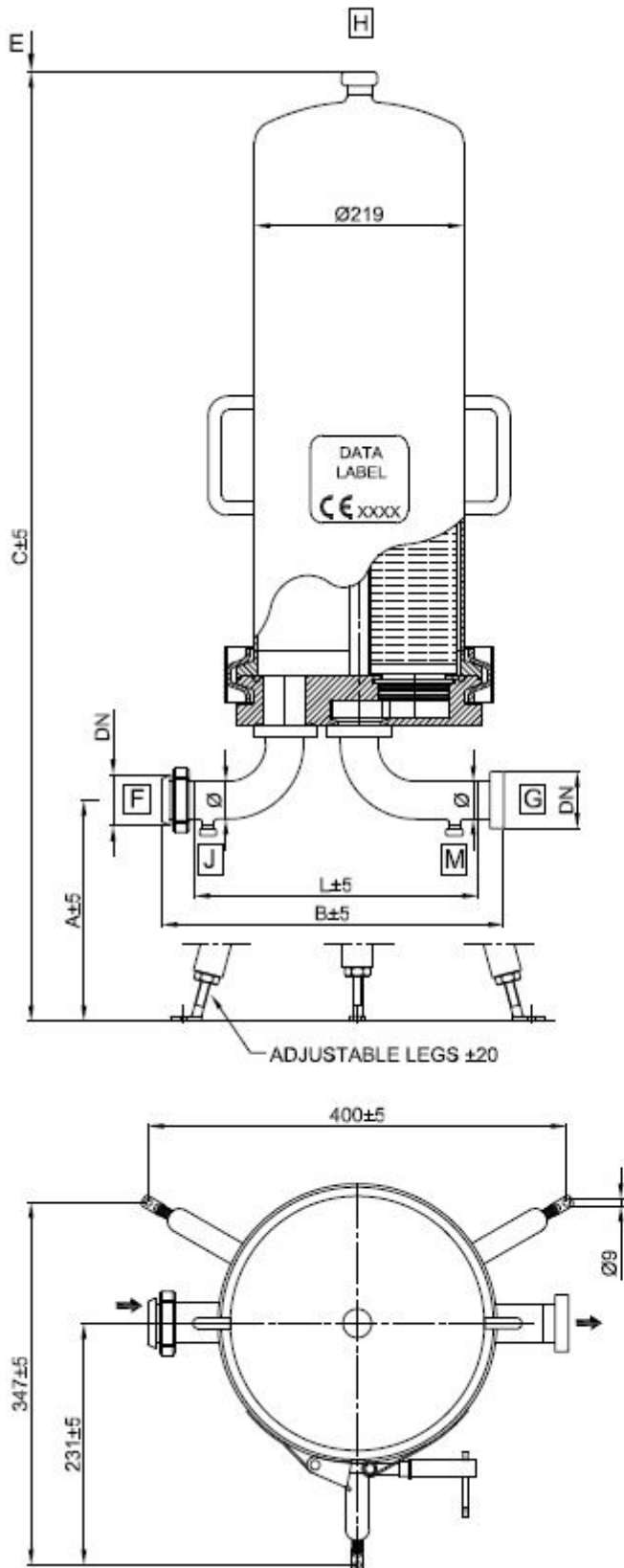
HOUSING STYLE - T-TYPE - Series SA - DSH Ver. 02

SPARE PARTS		
POS.	DESCRIPTION	PART NO.
1.1	HOUSING BOWL 10"	-
1.2	HOUSING BOWL 20"	-
1.3	HOUSING BOWL 30"	-
1.4	HOUSING BOWL 40"	-
2	V-BAND	8ZSLA-0003
3	CARTRIDGE PLATE	-
4.1	O-RING Ø5.34 ID=158.11 - SILICONE [STANDARD]	8ZDSC-0002
4.2	O-RING Ø5.34 ID=158.11 - EPDM	8ZDEC-0002
5	GASKET CLAMP 1.5" - PTFE	8ZDPC-0003
6	BEND FLANGE	-
7	INLET BEND	-
8	OUTLET BEND	-
9	LEG	-
10	FOOT	-
11	PROTECTION PLATE	-
12	HEXAGONAL NUT	-
13	TIE ROD 10"	-
	TIE ROD 20"	-
	TIE ROD 30"	-
	TIE ROD 40"	-
14	TIE ROD SCREW	-
15	ADAPTER (ONLY FOR CODE 28)	-



Connection Style 1 - In Line

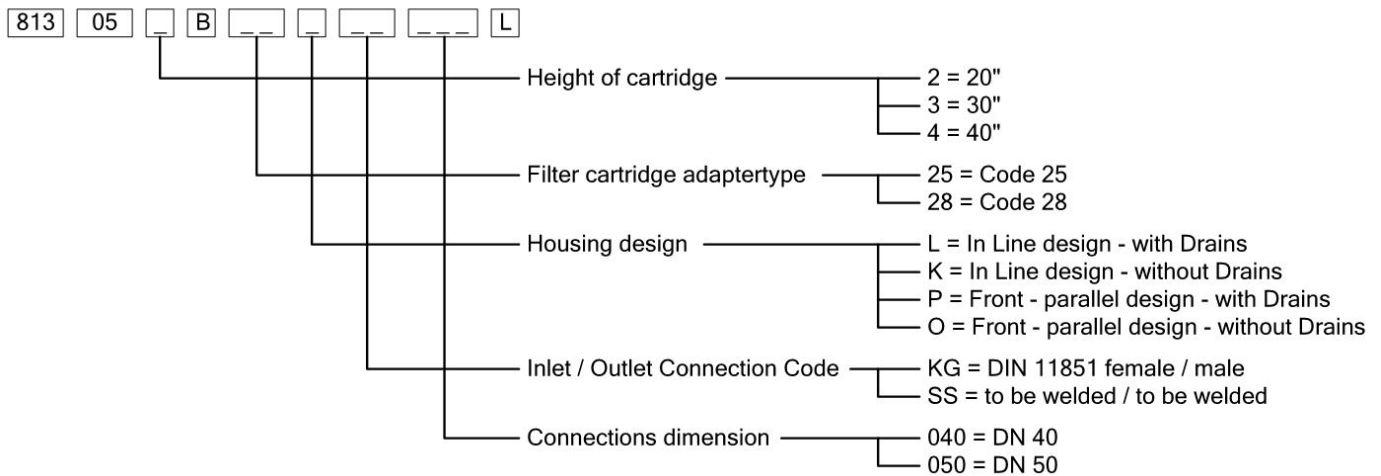
Connection Style 2 - Front



FILTER SERIES 813 - 05-ROUND HOUSING


HOUSING STYLE - T-TYPE - Series SA - DSH Ver. 05

Order Numbers



INLET & OUTLET CONNECTIONS					
	Ø	A	B	L	T
DN40	38.1	338	563	305	229
DN50	50.8	310	414	353	286

DATA LABEL



FILTER HOUSING

PART NUMBER

TYPE " TYPE "

CARTRIDGE NO. x HIGH (Inch) 05 x " H "

CATEGORY 2014/68/EU II

VOLUME LITRES (V) " V "

MAX PRESSURE(PS) at TS=0-40°C bar 13

MAX PRESSURE(PS) at TS=150°C bar 4

TEST PRESSURE bar (PT) 18.6

DESIGN TEMPERATURE (TS) MIN-MAX 0 - 150°C

FLUID GROUP (2014/68/EU) 2 - NOT DANG.

PHISICAL STATE LIQUID / GAS

VESSEL MATERIAL 316L / 1.4404

YEAR OF MANUFACTURE

VESSEL NUMBER

CE XXXX

TECHNICAL DATA

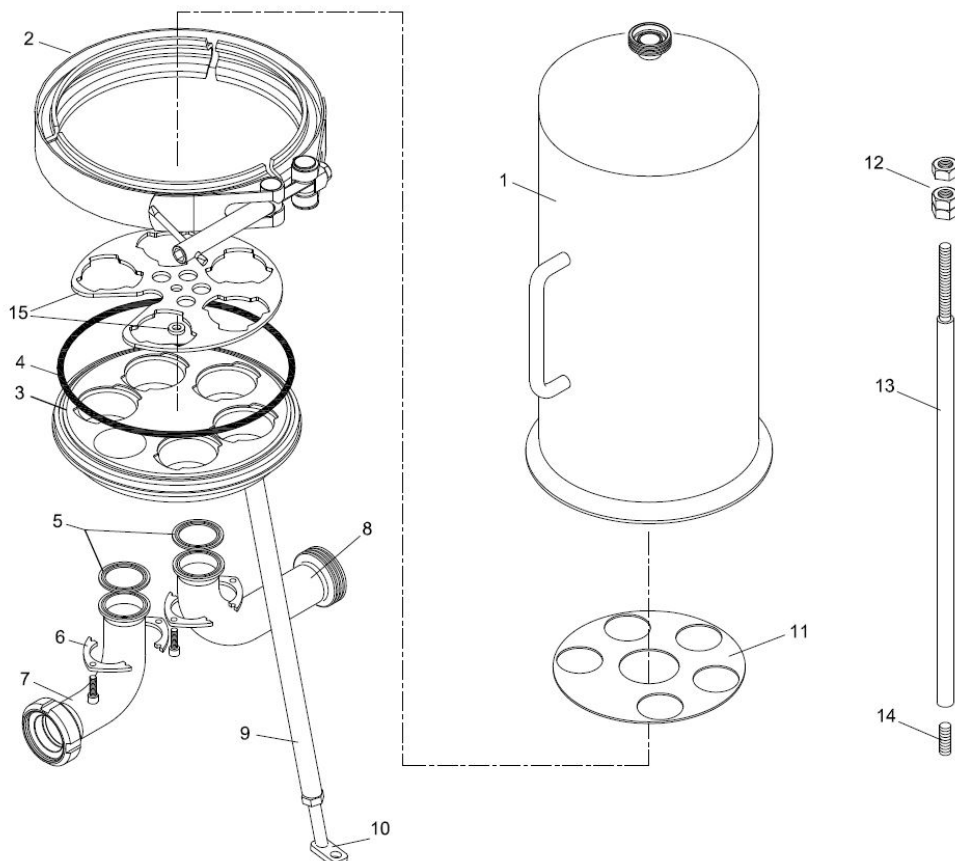
VESSEL RANGE	SA - SANITARY
NO. CARTRIDGES	05
DESIGN CODE	AD MERKBLATT
CERTIFICATION	2014/68/EU
HAZARD CATEGORY	SECOND (2014/68/EU)
DESIGN PRESSURE 0-40°(PS)	13 bar
DESIGN PRESSURE 150°(PS)	4 bar
WORKING PRESSURE 0-40°	13 bar
WORKING PRESSURE 150°	4 bar
DESIGN TEMP. MIN-MAX (TS)	0 - 150°C
VESSEL MATERIAL	316L / 1.4404
TEST PRESSURE (PT)	18.6 bar
FLUID GROUP	2 (NOT DANGEROUS)
PHISICAL STATE	LIQUID/GAS
SEALS MATERIAL	SILICON FDA BGA APPROVED
INTERNAL FINISHING	MECHANICAL POLISHING
INTERNAL ROUGHTNESS	RA<0.8 MICRON
EXTERNAL FINISHING	MECHANICAL POLISHING
VENT CONNECTION H	DIN11851 DN 25 MALE
DRAIN CONNECTION J	DIN11851 DN 15 MALE
DRAIN CONNECTION M	DIN11851 DN 15 MALE
INLET CONNECTION F	DIN11851 LINER
OUTLET CONNECTION G	DIN11851 MALE

VESSEL TYPE	SA052	SA053	SA054
CARTRIDGES HEIGHT	20"	30"	40"
C mm	1075	1325	1575
E mm	540	790	1040
TOTAL VESSEL VOLUME ltres (V)	20,0	29,1	38,2
INTEGRITY TEST VOLUME ltres (VI)	11,7	16,8	21,8
BOWL WEIGHT kg	7,5	10,2	12,9
TOTAL NET WEIGHT kg	20	22	24
PACKAGING SIZE cm45x33x	100	118	143
TOTAL WEIGHT PACKED kg	26	28	30

FILTER SERIES 813 - 05-ROUND HOUSING

HOUSING STYLE - T-TYPE - Series SA - DSH Ver. 01

SPARE PARTS		
POS.	DESCRIPTION	PART NO.
1.1	HOUSING BOWL 20"	-
1.2	HOUSING BOWL 30"	-
1.3	HOUSING BOWL 40"	-
2	V-BAND	8ZSLA-0004
3	CARTRIDGE PLATE	-
4.1	O-RING Ø5.34 ID=208.91 - SILICONE [STANDARD]	8ZDSC-0004
4.2	O-RING Ø5.34 ID=208.91 - EPDM	8ZDEC-0004
5	GASKET CLAMP 1.5" - PTFE	8ZDPC-0005
6	BEND FLANGE	-
7	INLET BEND	-
8	OUTLET BEND	-
9	LEG	-
10	FOOT	-
11	PROTECTION PLATE	-
12	HEXAGONAL NUT	-
13	TIE ROD 10"	-
	TIE ROD 20"	-
	TIE ROD 30"	-
	TIE ROD 40"	-
14	TIE ROD SCREW	-
15	ADAPTER (ONLY FOR CODE 28)	-

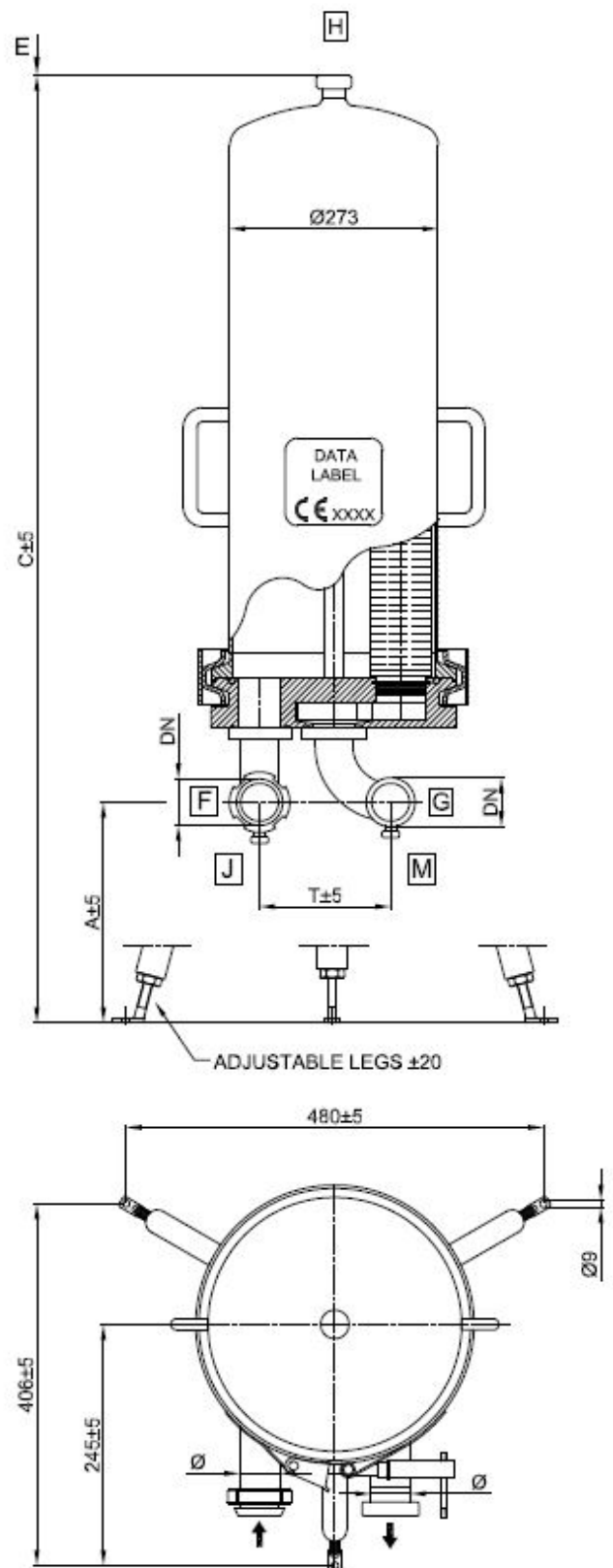
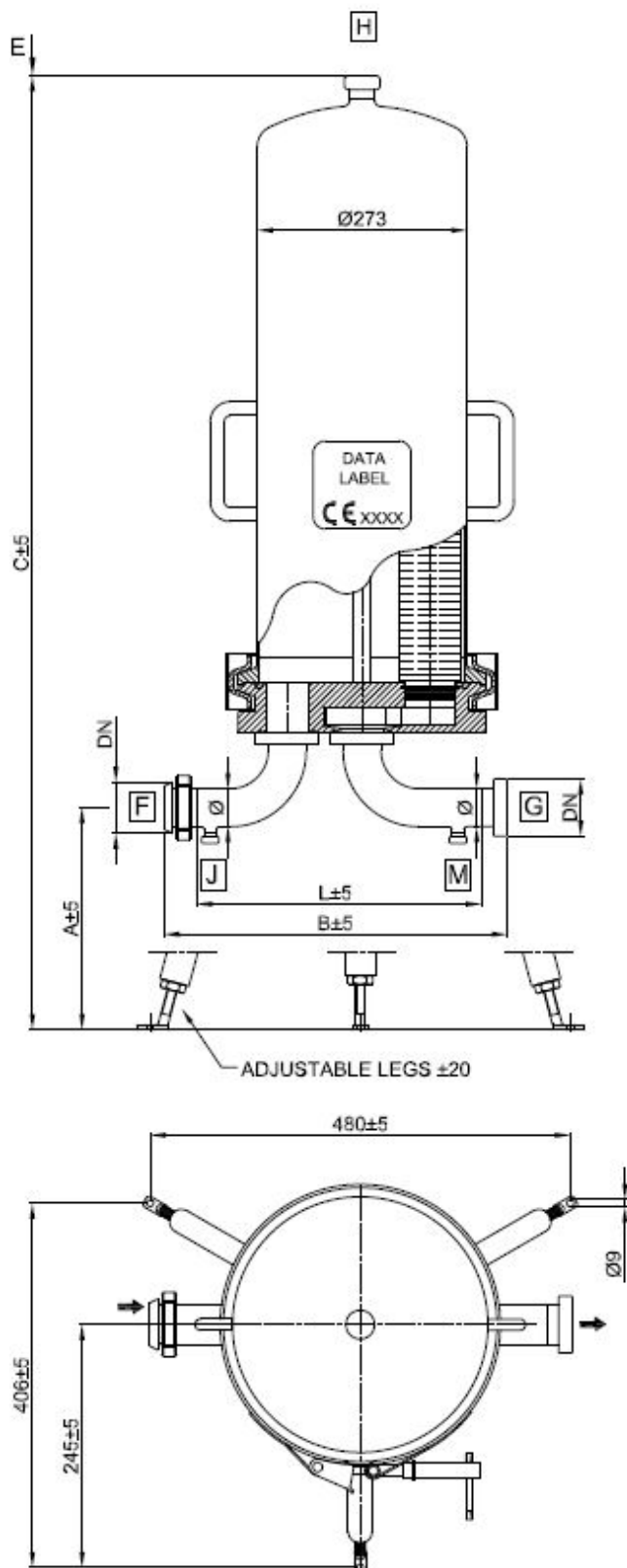


FILTER SERIES 813 - 08-ROUND HOUSING

HOUSING STYLE - T-TYPE - Series SA - DSH Ver. 05

Connection Style 1 - In Line

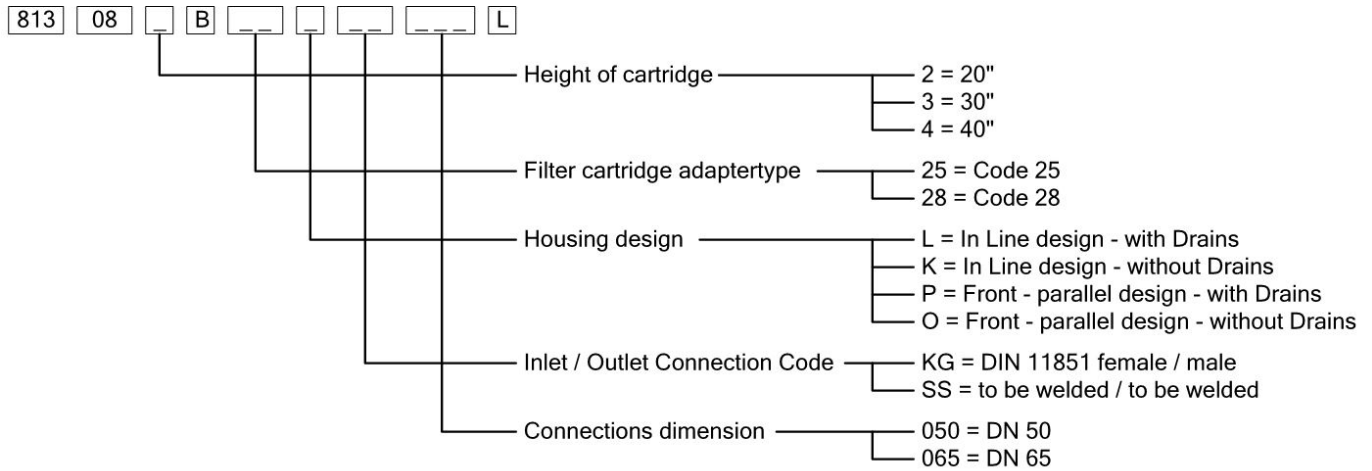
Connection Style 2 - Front



FILTER SERIES 813 - 08-ROUND HOUSING


HOUSING STYLE - T-TYPE - Series SA - DSH Ver. 05

Order Numbers



INLET & OUTLET CONNECTIONS					
	∅	A	B	L	T
DN50	50.8	310	440	380	312
DN65	63.5	281	512	442	362

DATA LABEL



FILTER HOUSING

PART NUMBER

TYPE " TYPE "

CARTRIDGE NO. x HIGH (inch) 08 x " H "

CATEGORY 2014/68/EU II

VOLUME LITRES (V) " V "

MAX PRESSURE(PS) at TS=0-40°C bar 13

MAX PRESSURE(PS) at TS=150°C bar 4

TEST PRESSURE bar (PT) 18,6

DESIGN TEMPERATURE (TS) MIN-MAX 0 - 150°C


FLUID GROUP (PED 2014/68/EU) 2 - NOT DANG.

PHISICAL STATE LIQUID / GAS

VESSEL MATERIAL 316L / 1.4404

YEAR OF MANUFACTURE

VESSEL NUMBER



TECHNICAL DATA

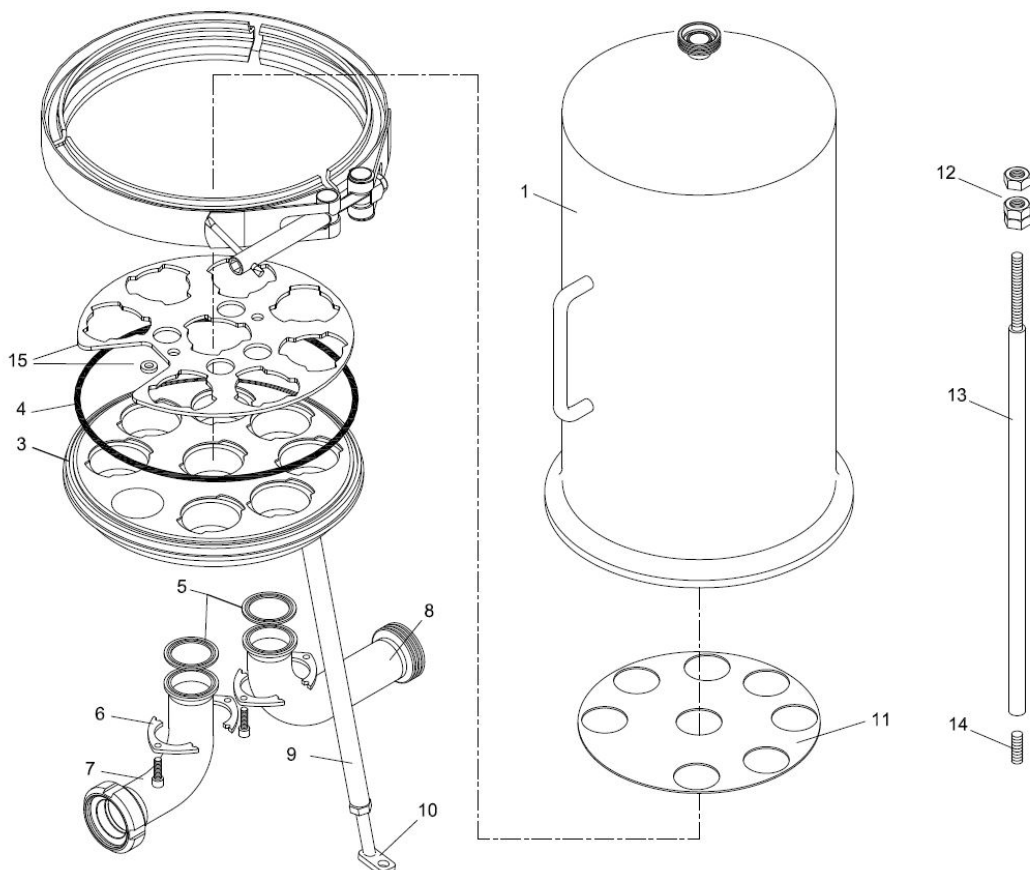
VESSEL RANGE	SA - SANITARY
NO. CARTRIDGES	08
DESIGN CODE	AD MERKBLATT
CERTIFICATION	2014/68/EU
HAZARD CATEGORY	SECOND (2014/68/EU)
DESIGN PRESSURE 0-40°(PS)	13 bar
DESIGN PRESSURE 150°(PS)	4 bar
WORKING PRESSURE 0-40°	13 bar
WORKING PRESSURE 150°	4 bar
DESIGN TEMP. MIN-MAX (TS)	0 - 150°C
VESSEL MATERIAL	316L / 1.4404
TEST PRESSURE (PT)	18,6 bar
FLUID GROUP	2 (NOT DANGEROUS)
PHISICAL STATE	LIQUID/GAS
SEALS MATERIAL	SILICON FDA BGA APPROVED
INTERNAL FINISHING	MECHANICAL POLISHING
INTERNAL ROUGHTNESS	RA<0,8 MICRON
EXTERNAL FINISHING	MECHANICAL POLISHING
VENT CONNECTION H	DIN11851 DN 25 MALE
DRAIN CONNECTION J	DIN11851 DN 15 MALE
DRAIN CONNECTION M	DIN11851 DN 15 MALE
INLET CONNECTION F	DIN11851 LINER
OUTLET CONNECTION G	DIN11851 MALE

VESSEL TYPE	SA082	SA083	SA084
CARTRIDGES HEIGHT	20"	30"	40"
C mm	1096	1346	1596
E mm	540	790	1040
TOTAL VESSEL VOLUME litres (V)	35,5	49,7	63,9
INTEGRITY TEST VOLUME litres (Vi)	22,2	30	27,8
BOWL WEIGHT kg	10	13	16
TOTAL NET WEIGHT kg	30	33	36
PACKAGING SIZE cm50x40x	100	118	143
TOTAL WEIGHT PACKED kg	34	38	42

FILTER SERIES 813 - 08-ROUND HOUSING

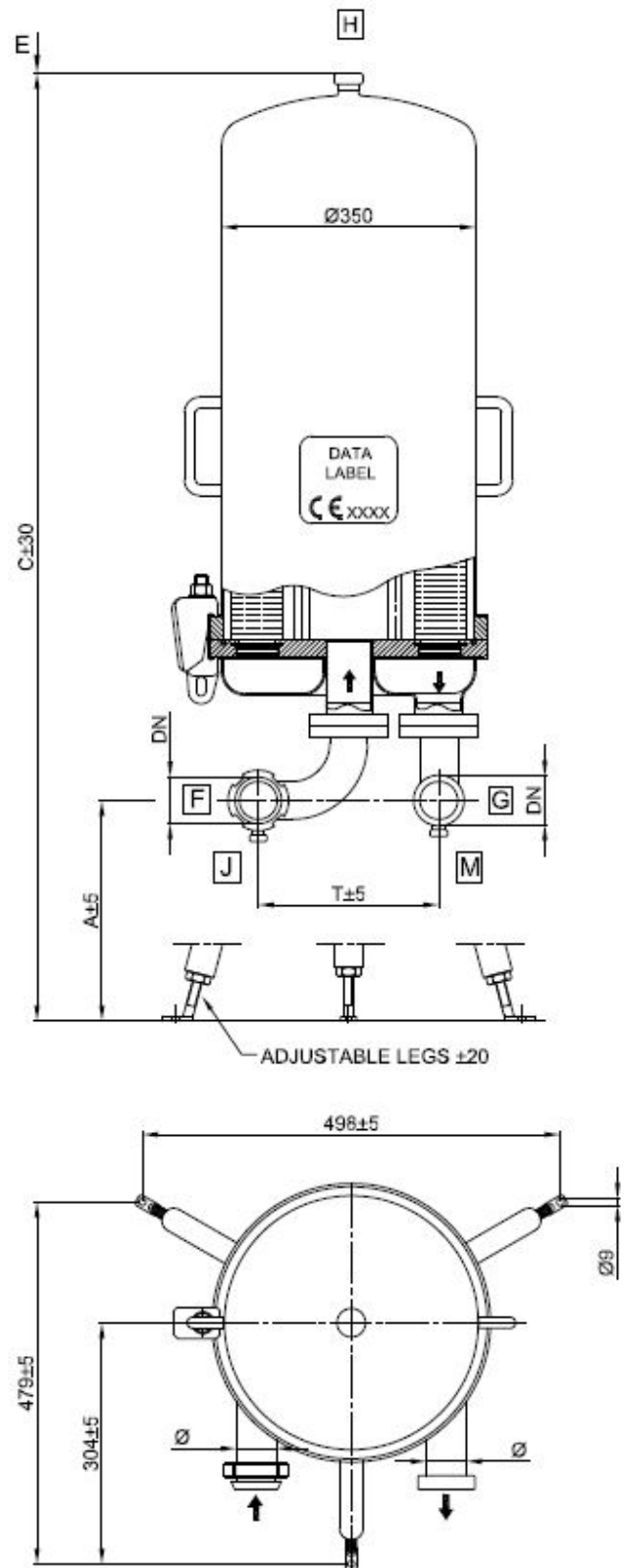
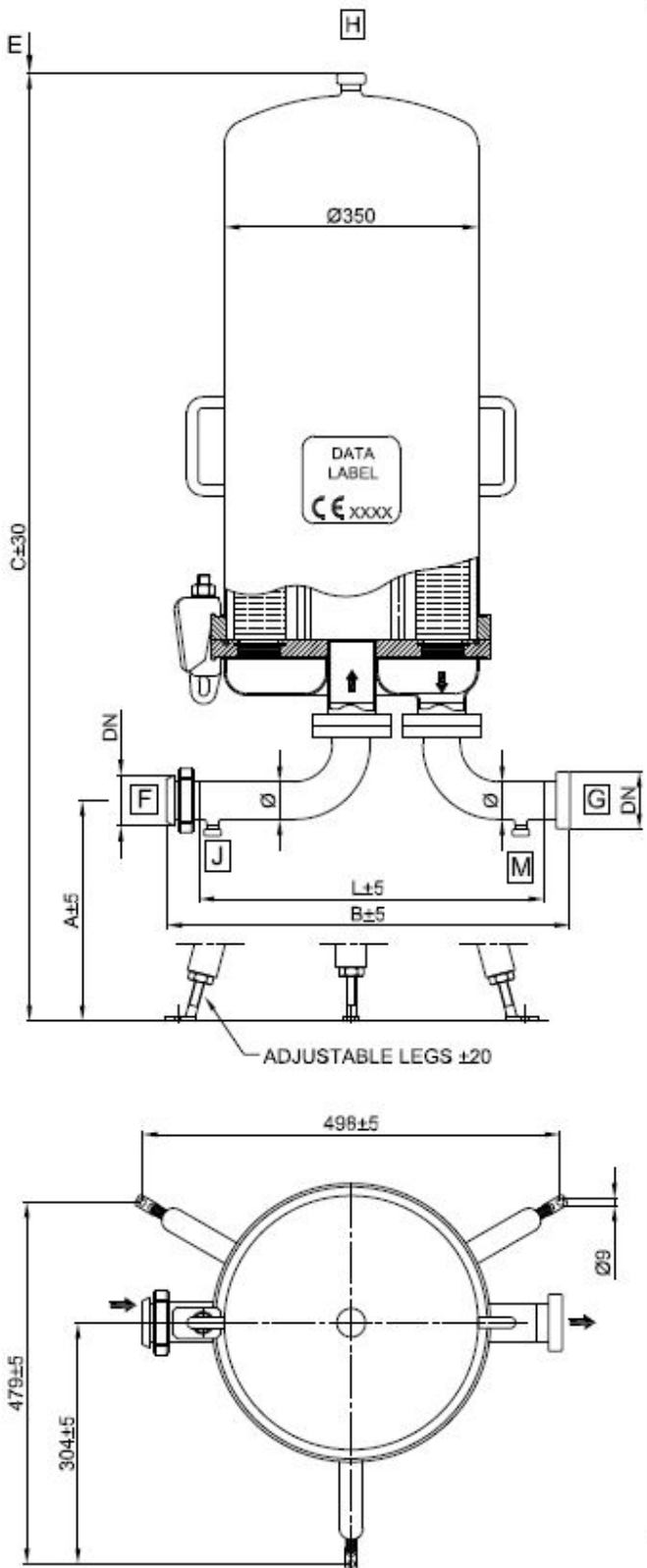
HOUSING STYLE - T-TYPE - Series SA - DSH Ver. 01

SPARE PARTS		
POS.	DESCRIPTION	PART NO.
1.1	HOUSING BOWL 20"	-
1.2	HOUSING BOWL 30"	-
1.3	HOUSING BOWL 40"	-
2	V-BAND	8ZSLA-0005
3	CARTRIDGE PLATE	-
4.1	O-RING Ø5.34 ID=266.06 - SILICONE [STANDARD]	8ZDSC-0006
4.2	O-RING Ø5.34 ID=266.06 - EPDM	8ZDEC-0006
5	GASKET CLAMP 2" - PTFE	8ZDPC-0005
6	BEND FLANGE	-
7	INLET BEND	-
8	OUTLET BEND	-
9	LEG	-
10	FOOT	-
11	PROTECTION PLATE	-
12	HEXAGONAL NUT	-
13	TIE ROD 10"	-
	TIE ROD 20"	-
	TIE ROD 30"	-
	TIE ROD 40"	-
14	TIE ROD SCREW	-
15	ADAPTER (ONLY FOR CODE 28)	-



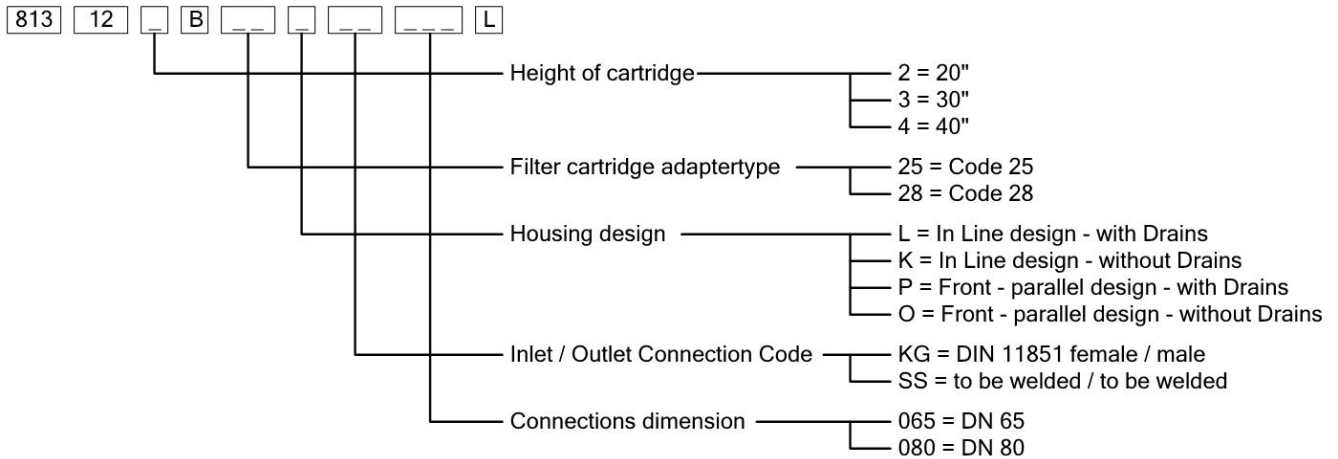
Connection Style 1 - In Line

Connection Style 2 - Front




HOUSING STYLE - T-TYPE - Series SA

Order Numbers



INLET & OUTLET CONNECTIONS					
	∅	A	B	L	T
DN65	63.5	326	547	467	387
DN80	76.2	298	578	493	444

DATA LABEL



AVT FILTER HOUSING

PART NUMBER

TYPE " TYPE "

CARTRIDGE NO. x HIGH (Inch) 12 x " H "

CATEGORY 2014/68/EU III

VOLUME LITRES (V) " V "

MAX PRESSURE(PS) at TS=0-40°C bar 13

MAX PRESSURE(PS) at TS=150°C bar 4

TEST PRESSURE bar (PT) 18,6

DESIGN TEMPERATURE (TS) MIN-MAX 0 - 150°C


FLUID GROUP (2014/68/EU) 2 - NOT DANG.

PHISICAL STATE LIQUID / GAS

VESSEL MATERIAL 316L / 1.4404

YEAR OF MANUFACTURE

VESSEL NUMBER



TECHNICAL DATA

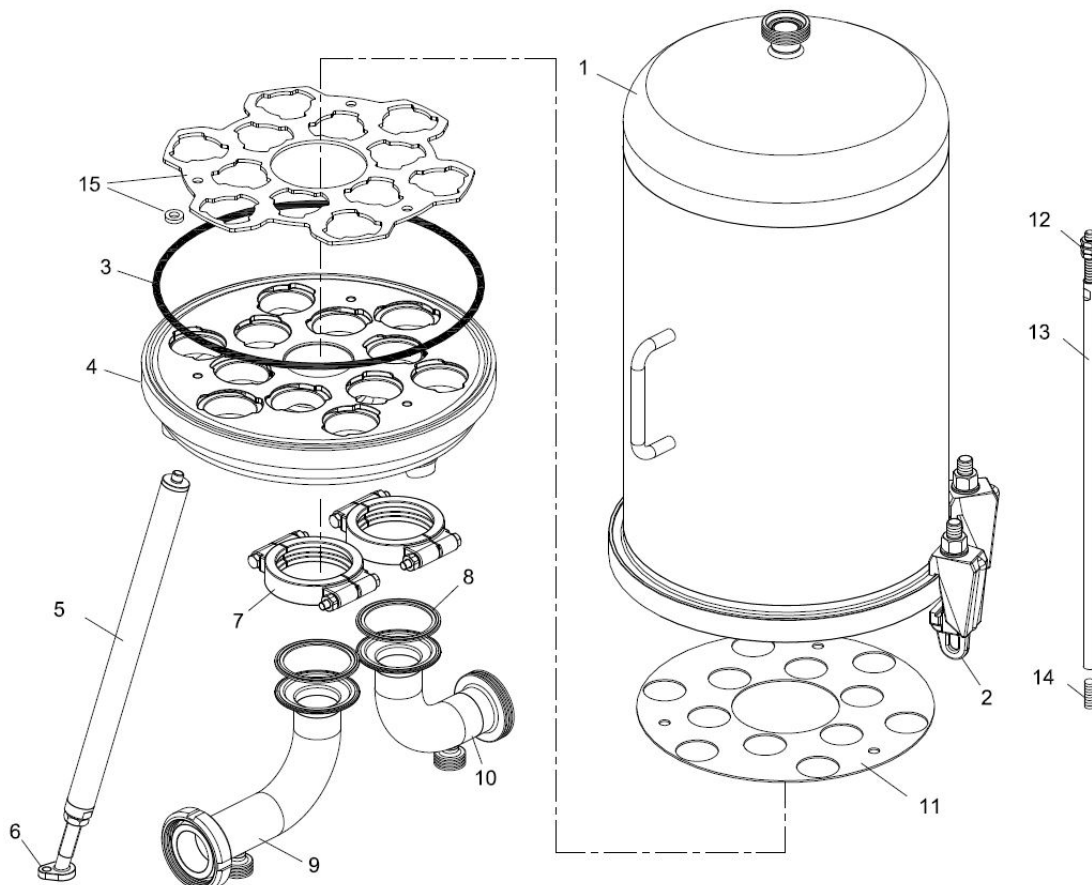
VESSEL RANGE	SA - SANITARY
NO. CARTRIDGES	12
DESIGN CODE	AD MERKBLATT
CERTIFICATION	2014/68/EU
HAZARD CATEGORY	THIRD (2014/68/EU)
DESIGN PRESSURE 0-40°(PS)	13 bar
DESIGN PRESSURE 150°(PS)	4 bar
WORKING PRESSURE 0-40°	13 bar
WORKING PRESSURE 150°	4 bar
DESIGN TEMP. MIN-MAX (TS)	0 - 150°C
VESSEL MATERIAL	316L / 1.4404
TEST PRESSURE (PT)	18.6 bar
FLUID GROUP	2 (NOT DANGEROUS)
PHISICAL STATE	LIQUID/GAS
SEALS MATERIAL	SILICON FDA BGA APPROVED
INTERNAL FINISHING	MECHANICAL POLISHING
INTERNAL ROUGHTNESS	RA<0.8 MICRON
EXTERNAL FINISHING	MECHANICAL POLISHING
VENT CONNECTION H	DIN11851 DN 25 MALE
DRAIN CONNECTION J	DIN11851 DN 15 MALE
DRAIN CONNECTION M	DIN11851 DN 15 MALE
INLET CONNECTION F	DIN11851 LINER
OUTLET CONNECTION G	DIN11851 MALE

VESSEL TYPE	SA122	SA123	SA124
CARTRIDGES HEIGHT	20"	30"	40"
C mm	1215	1465	1715
E mm	640	890	1140
TOTAL VESSEL VOLUME ltres (V)	65	88	112
INTEGRITY TEST VOLUME ltres (VI)	39	52	66
BOWL WEIGHT kg	22	28	34
TOTAL NET WEIGHT kg	70	75	80
PACKAGING SIZE cm63x64x	100	125	150
TOTAL WEIGHT PACKED kg	67	71	76

FILTER SERIES 813 - 12-ROUND HOUSING

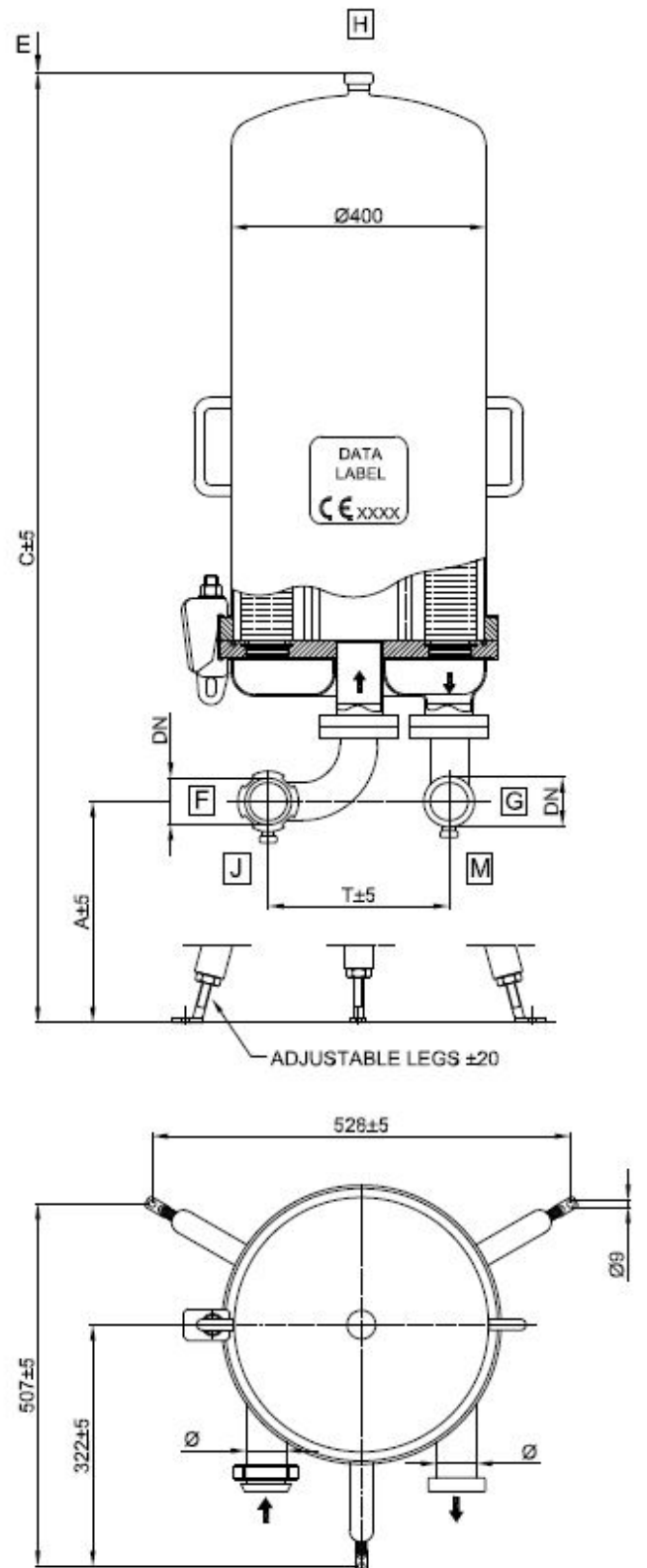
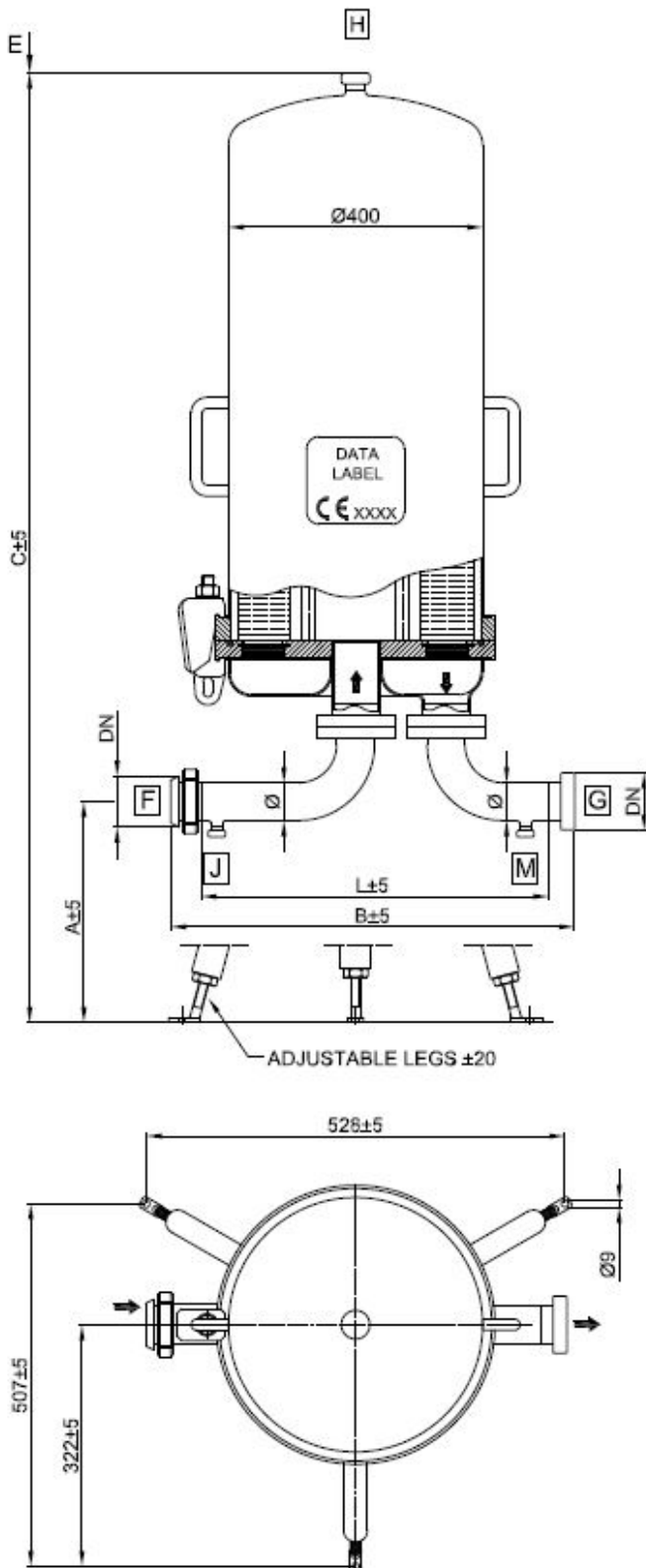
HOUSING STYLE - T-TYPE - Series SA - DSH Ver. 01

SPARE PARTS		
POS.	DESCRIPTION	PART NO.
1.1	HOUSING BOWL 20"	-
1.2	HOUSING BOWL 30"	-
1.3	HOUSING BOWL 40"	-
2	BOLT CLAMP M16	8ZSL--0009
3.1	O-RING Ø7.00 ID=342.30 - SILICONE [STANDARD]	8ZDSC-0007
3.2	O-RING Ø7.00 ID=342.30 - EPDM	8ZDEC-0007
4	CARTRIDGE PLATE	-
5	LEG	-
6	FOOT	-
7	CLAMP 3"	-
8	GASKET CLAMP 3" - PTFE	8ZDPC-0008
9	INLET BEND	-
10	OUTLET BEND	-
11	PROTECTION PLATE	-
12	HEXAGONAL NUT	-
13	TIE ROD 20"	-
	TIE ROD 30"	-
	TIE ROD 40"	-
14	TIE ROD SCREW	-
15	ADAPTER (ONLY FOR CODE 28)	-



Connection Style 1 - In Line

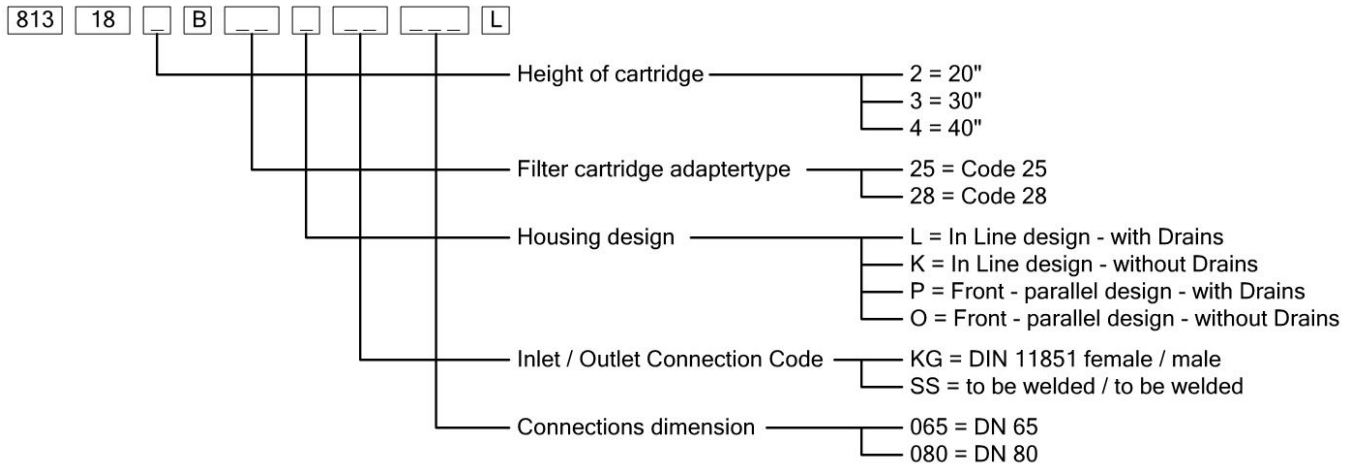
Connection Style 2 - Front



FILTER SERIES 813 - 18-ROUND HOUSING


HOUSING STYLE - T-TYPE - Series SA - DSH Ver. 07

Order Numbers



INLET & OUTLET CONNECTIONS					
	∅	A	B	L	T
DN65	63.5	325	465	484	404
DN80	76.2	297	595	510	461

DATA LABEL



FILTER HOUSING

PART NUMBER

TYPE " TYPE "

CARTRIDGE NO. x HIGH (Inch) 18 x " H "

CATEGORY 2014/68/EU III

VOLUME LITRES (V) " V "

MAX PRESSURE(PS) at TS=0-40°C bar 13

MAX PRESSURE(PS) at TS=150°C bar 4

TEST PRESSURE bar (PT) 18.6

DESIGN TEMPERATURE (TS) MIN-MAX 0 - 150°C

FLUID GROUP (2014/68/EU) 2 - NOT DANG.

PHISICAL STATE LIQUID / GAS

VESSEL MATERIAL 316L / 1.4404

YEAR OF MANUFACTURE

VESSEL NUMBER

CE XXXX

TECHNICAL DATA

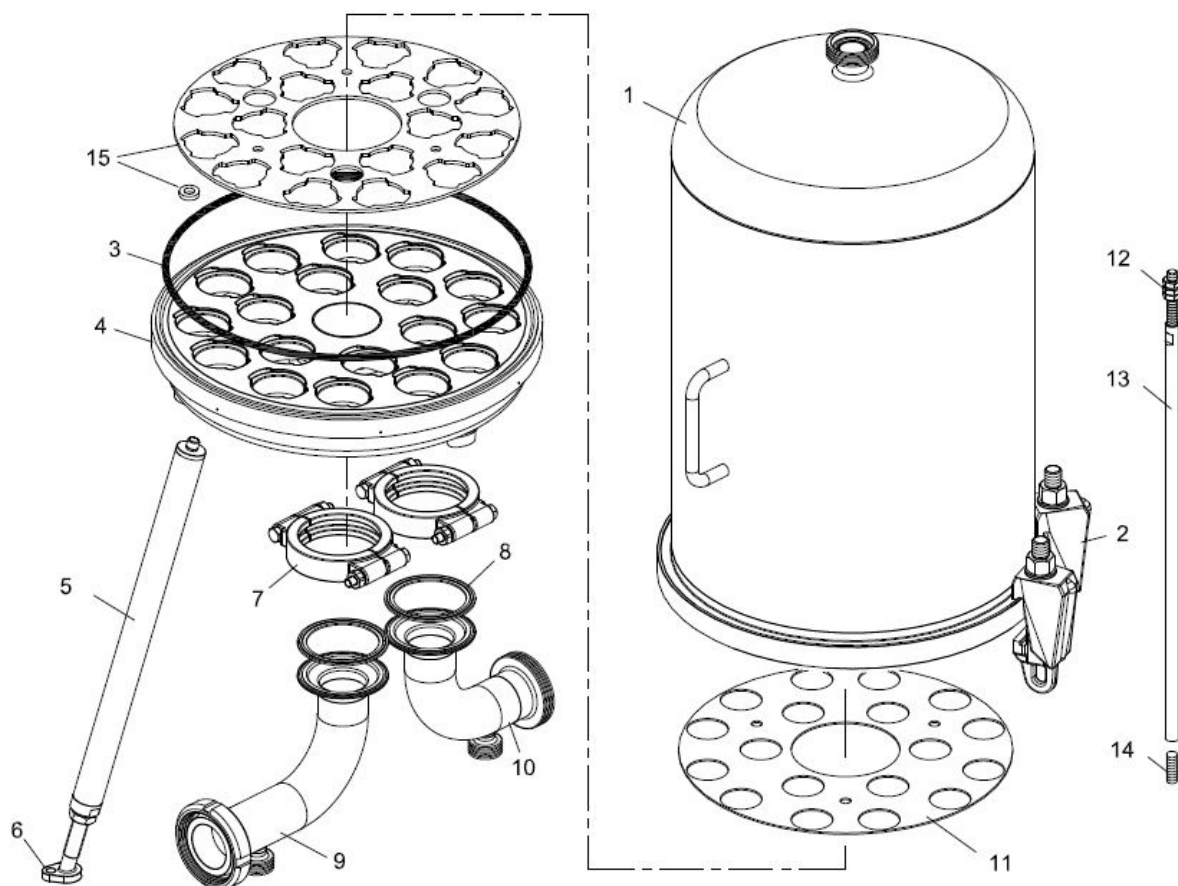
VESSEL RANGE	SA - SANITARY
NO. CARTRIDGES	18
DESIGN CODE	AD MERKBLATT
CERTIFICATION	2014/68/EU
HAZARD CATEGORY	THIRD (2014/68/EU)
DESIGN PRESSURE 0-40°(PS)	13 bar
DESIGN PRESSURE 150°(PS)	4 bar
WORKING PRESSURE 0-40°	13 bar
WORKING PRESSURE 150°	4 bar
DESIGN TEMP. MIN-MAX (TS)	0 - 150°C
VESSEL MATERIAL	316L / 1.4404
TEST PRESSURE (PT)	18.6 bar
FLUID GROUP	2 (NOT DANGEROUS)
PHISICAL STATE	LIQUID/GAS
SEALS MATERIAL	SILICON FDA BGA APPROVED
INTERNAL FINISHING	MECHANICAL POLISHING
INTERNAL ROUGHTNESS	RA<0.8 MICRON
EXTERNAL FINISHING	MECHANICAL POLISHING
VENT CONNECTION H	DIN11851 DN 25 MALE
DRAIN CONNECTION J	DIN11851 DN 15 MALE
DRAIN CONNECTION M	DIN11851 DN 15 MALE
INLET CONNECTION F	DIN11851 LINER
OUTLET CONNECTION G	DIN11851 MALE

VESSEL TYPE	SA183	SA184
CARTRIDGES HEIGHT	30"	40"
C mm	1450	1700
E mm	790	1040
TOTAL VESSEL VOLUME litres (V)	115	146
INTEGRITY TEST VOLUME litres (VI)	64	80
BOWL WEIGHT kg	32	38
TOTAL NET WEIGHT kg	78	85
PACKAGING SIZE cm59x58x	128	153
TOTAL WEIGHT PACKED kg	74	80

FILTER SERIES 813 - 18-ROUND HOUSING

HOUSING STYLE - T-TYPE - Series SA - DSH Ver. 01

SPARE PARTS		
POS.	DESCRIPTION	PART NO.
1.1	HOUSING BOWL 30"	-
1.2	HOUSING BOWL 40"	-
2	BOLT CLAMP M16	8ZSL--0009
3.1	O-RING Ø7.00 ID=393.10 - SILICONE [STANDARD]	8ZDSC-0009
3.2	O-RING Ø7.00 ID=393.10 - EPDM	8ZDEC-0009
4	CARTRIDGE PLATE	-
5	LEG	-
6	FOOT	-
7	CLAMP 3"	-
8	GASKET CLAMP 3" - PTFE	8ZDPC-0008
9	INLET BEND	-
10	OUTLET BEND	-
11	PROTECTION PLATE	-
12	HEXAGONAL NUT	-
13	TIE ROD 30"	-
	TIE ROD 40"	-
14	TIE ROD SCREW	-
15	ADAPTER (ONLY FOR CODE 28)	-

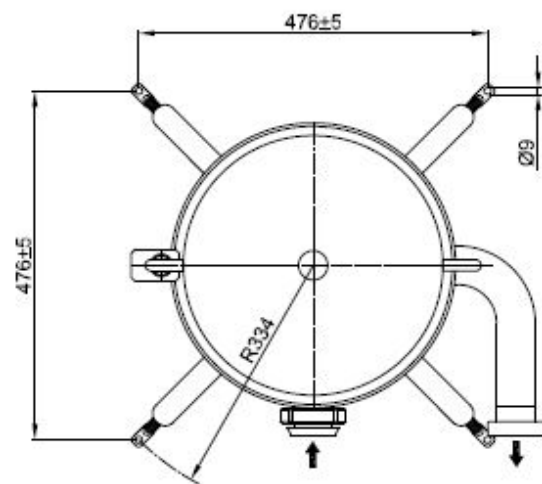
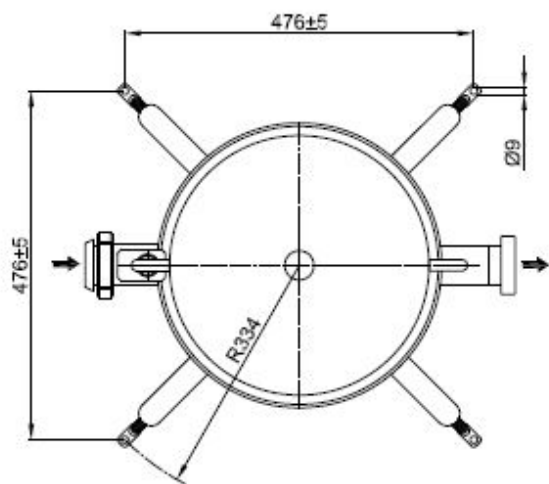
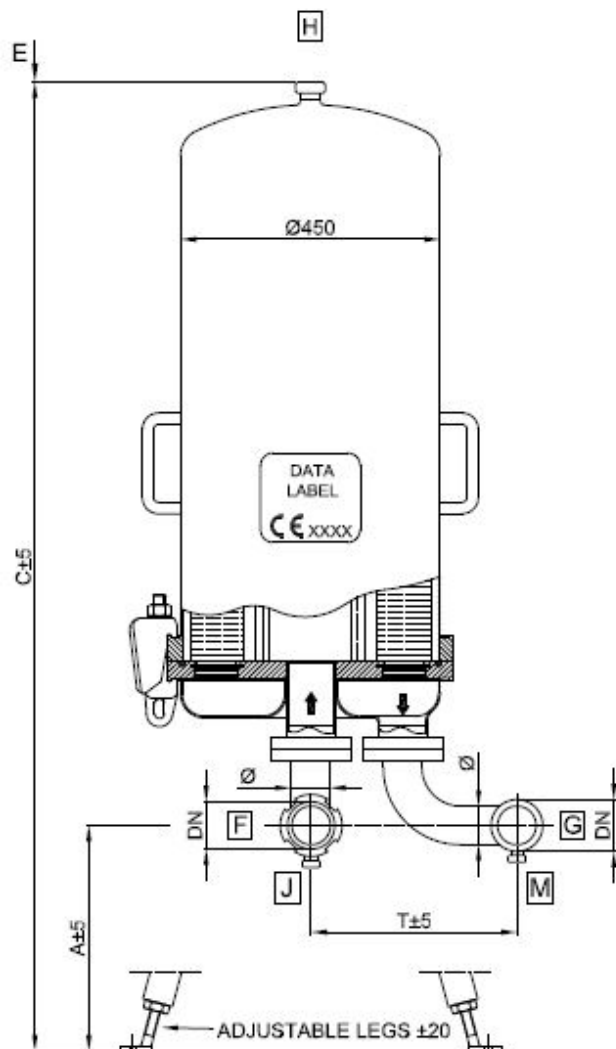
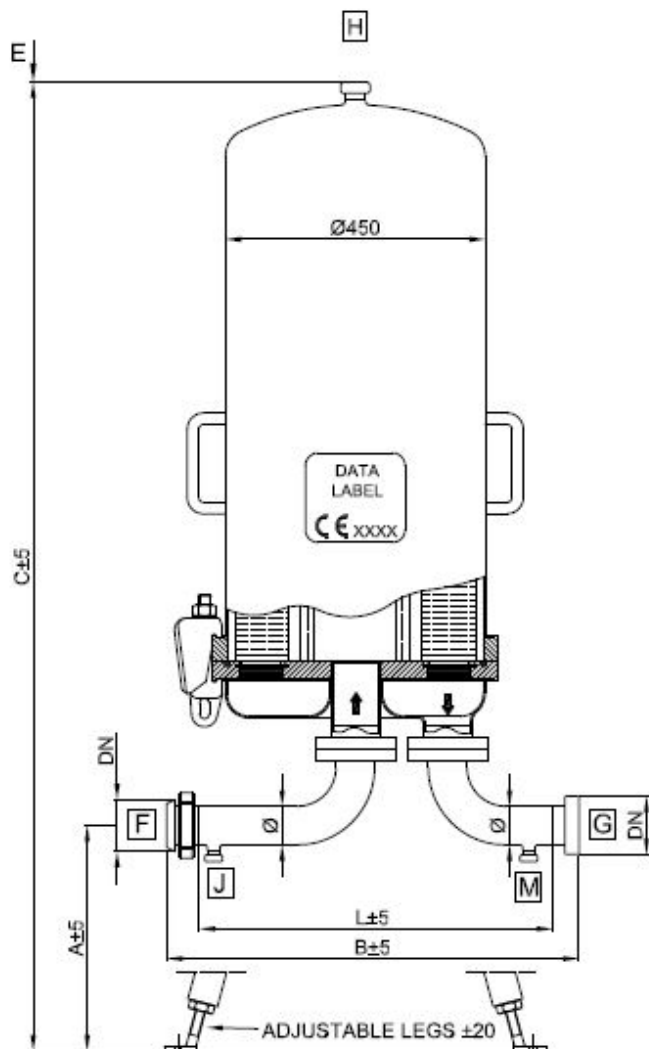


FILTER SERIES 813 - 24-ROUND HOUSING

HOUSING STYLE - T-TYPE - Series SA - DSH Ver. 06

Connection Style 1 - In Line

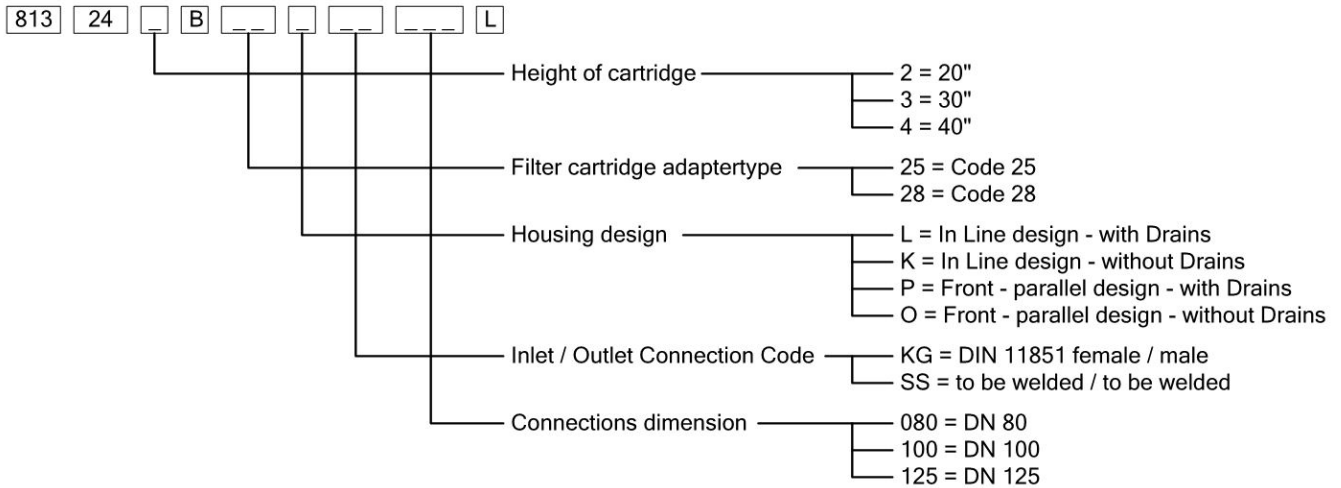
Connection Style 2 - Front



FILTER SERIES 813 - 24-ROUND HOUSING


HOUSING STYLE - T-TYPE - Series SA - DSH Ver. 06

Order Numbers



INLET & OUTLET CONNECTIONS					
	Ø	A	B	L	T
DN80	63.5	309	610	525	400
DN100	101.6	292	610	514	434
DN125	129	245	610	529	529

DATA LABEL



PART NUMBER

TYPE " TYP E "

CARTRIDGE NO. x HIGH (Inch) 24 x " H "

CATEGORY 2014/68/EU III

VOLUME LITRES (V) " V "

MAX PRESSURE(PS) at TS=0-40°C bar 13

MAX PRESSURE(PS) at TS=150°C bar 4

TEST PRESSURE bar (PT) 18,6

DESIGN TEMPERATURE (TS) MIN-MAX 0 - 150°C


FLUID GROUP (2014/68/EU) 2 - NOT DANG.

PHISICAL STATE LIQUID / GAS

VESSEL MATERIAL 316L / 1.4404

YEAR OF MANUFACTURE

VESSEL NUMBER

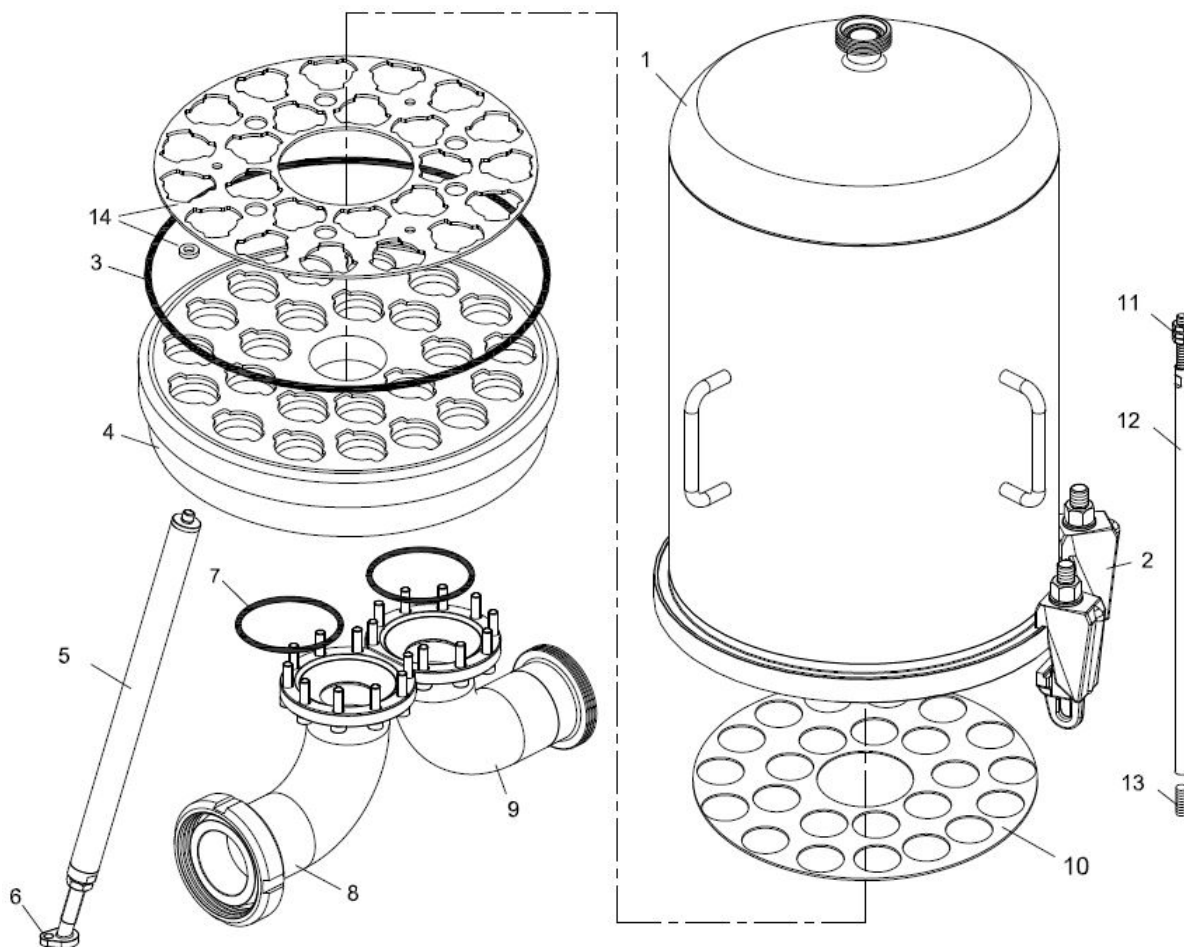


TECHNICAL DATA

VESSEL RANGE	SA - SANITARY
NO. CARTRIDGES	24
DESIGN CODE	AD MERKBLATT
CERTIFICATION	2014/68/EU
HAZARD CATEGORY	THIRD (2014/68/EU)
DESIGN PRESSURE 0-40°(PS)	13 bar
DESIGN PRESSURE 150°(PS)	4 bar
WORKING PRESSURE 0-40°	13 bar
WORKING PRESSURE 150°	4 bar
DESIGN TEMP. MIN-MAX (TS)	0 - 150°C
VESSEL MATERIAL	316L / 1.4404
TEST PRESSURE (PT)	18.6 bar
FLUID GROUP	2 (NOT DANGEROUS)
PHISICAL STATE	LIQUID/GAS
SEALS MATERIAL	SILICON FDA BGA APPROVED
INTERNAL FINISHING	MECHANICAL POLISHING
INTERNAL ROUGHTNESS	RA<0.8 MICRON
EXTERNAL FINISHING	MECHANICAL POLISHING
VENT CONNECTION H	DIN11851 DN 25 MALE
DRAIN CONNECTION J	DIN11851 DN 15 MALE
DRAIN CONNECTION M	DIN11851 DN 15 MALE
INLET CONNECTION F	DIN11851 LINER
OUTLET CONNECTION G	DIN11851 MALE

VESEL TYPE	SA243	SA244
CARTRIDGES HEIGHT	30"	40"
C mm	1475	1725
E mm	790	1040
TOTAL VESSEL VOLUME ltres (V)	151	190
INTEGRITY TEST VOLUME ltres (VI)	80	100
BOWL WEIGHT kg	36	45
TOTAL NET WEIGHT kg	106	115
PACKAGING SIZE cm64x63x	130	155
TOTAL WEIGHT PACKED kg	103	108

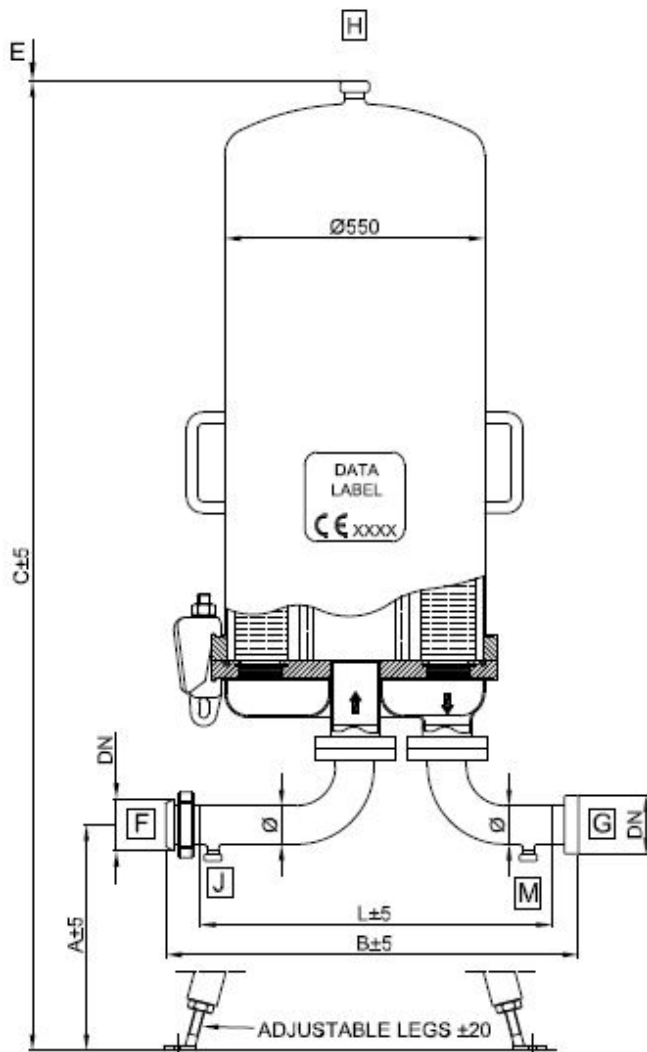
SPARE PARTS		
POS.	DESCRIPTION	PART NO.
1.1	HOUSING BOWL 30"	-
1.2	HOUSING BOWL 40"	-
2	BOLT CLAMP M16	8ZSL--0009
3.1	O-RING Ø7.00 ID=443.40 - SILICONE [STANDARD]	8ZDSC-0010
3.2	O-RING Ø7.00 ID=443.40 - EPDM	8ZDEC-0010
4	CARTRIDGE PLATE	-
5	LEG	-
6	FOOT	-
7	O-RING Ø5.34 ID=153.50 - SILICONE	8ZDSC-0011
8	INLET BEND	-
9	OUTLET BEND	-
10	PROTECTION PLATE	-
11	HEXAGONAL NUT	-
12	TIE ROD 30"	-
	TIE ROD 40"	-
13	TIE ROD SCREW	-
14	ADAPTER (ONLY FOR CODE 28)	-



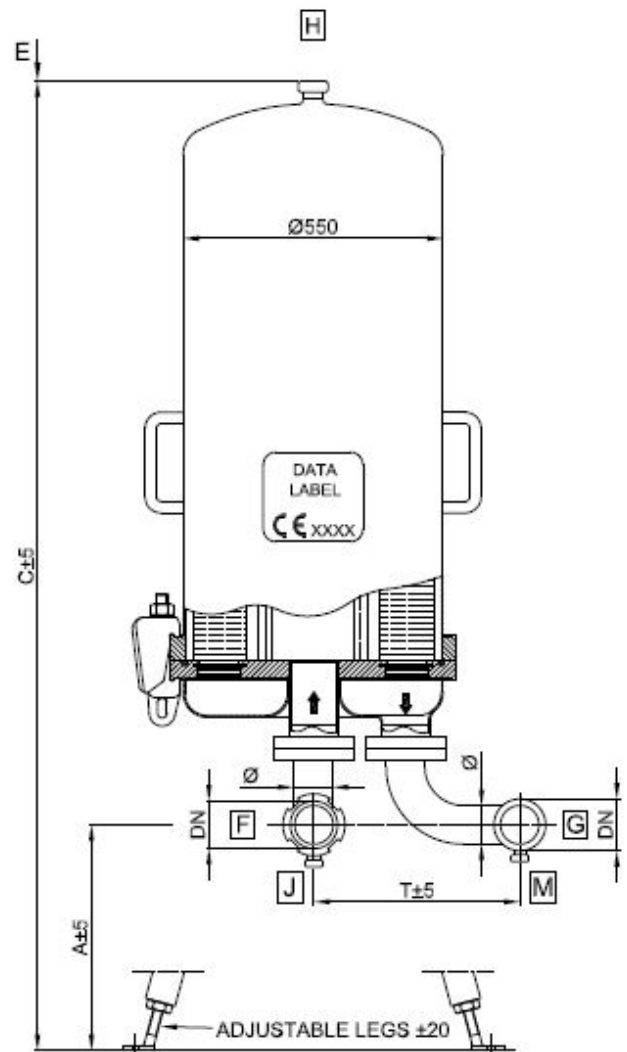
FILTER SERIES 813 - 30-ROUND HOUSING

HOUSING STYLE - T-TYPE - Series SA - DSH Ver. 06

Connection Style 1 - In Line



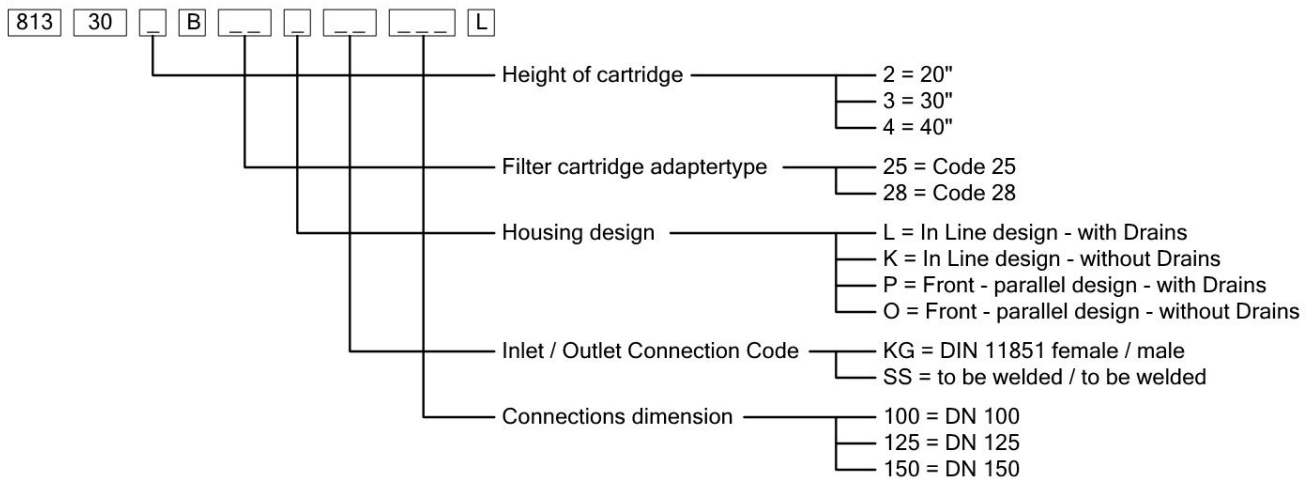
Connection Style 2 - Front



FILTER SERIES 813 - 30-ROUND HOUSING


HOUSING STYLE - T-TYPE - Series SA - DSH Ver. 06

Order Numbers



INLET & OUTLET CONNECTIONS					
	∅	A	B	L	T
DN100	101.6	323	715	620	455
DN125	-	-	-	-	-
DN150	-	-	-	-	-

DATA LABEL



FILTER HOUSING

PART NUMBER

TYPE " TYPE "

CARTRIDGE NO. x HIGH (Inch) 30 x " H "

CATEGORY 2014/68/EU IV

VOLUME LITRES (V) " V "

MAX PRESSURE(PS) at TS=0-40°C bar 13

MAX PRESSURE(PS) at TS=150°C bar 4

TEST PRESSURE bar (PT) 18,6

DESIGN TEMPERATURE (TS) MIN-MAX 0 - 150°C


FLUID GROUP (PED 2014/68/EU) 2 - NOT DANG.

PHISICAL STATE LIQUID / GAS

VESSEL MATERIAL 316L / 1.4404

YEAR OF MANUFACTURE

VESSEL NUMBER

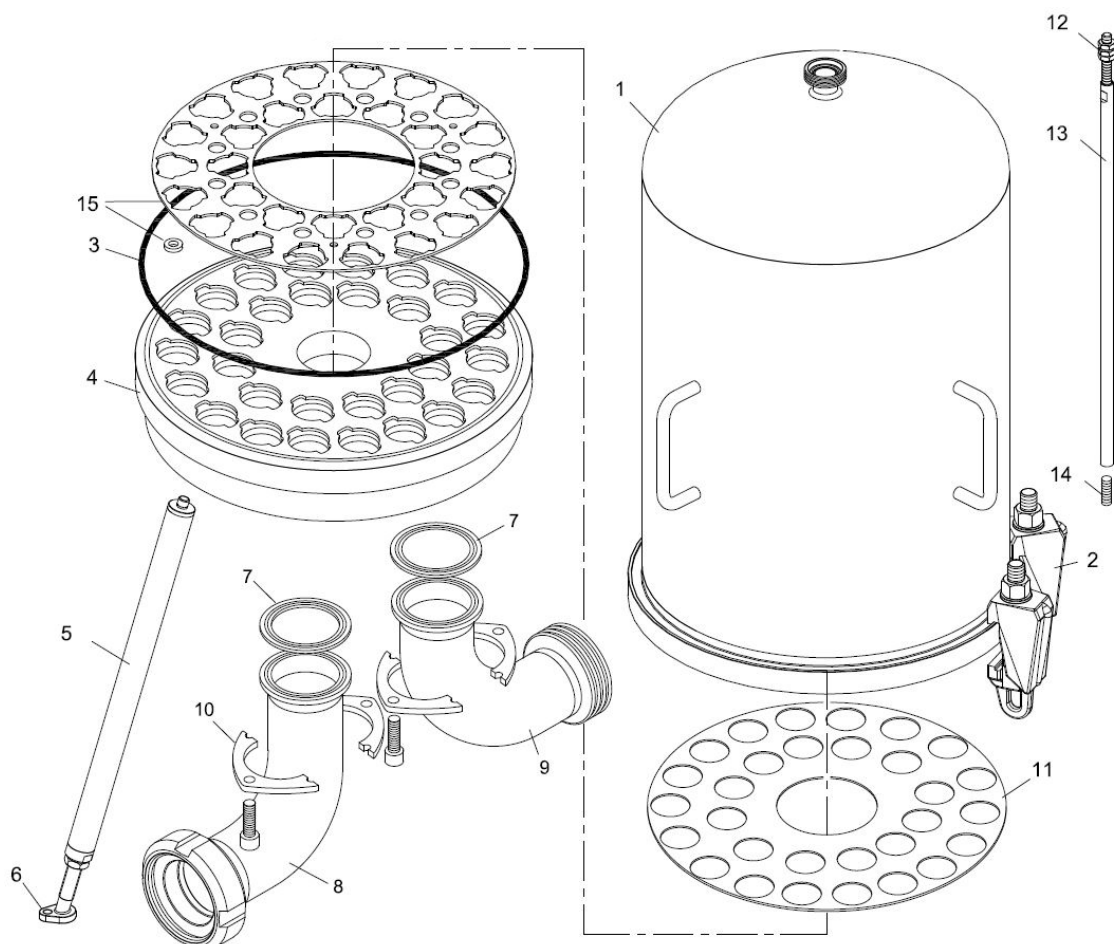


TECHNICAL DATA

VESSEL RANGE	SA - SANITARY
NO. CARTRIDGES	30
DESIGN CODE	AD MERKBLATT
CERTIFICATION	2014/68/EU
HAZARD CATEGORY	FOURTH (2014/68/EU)
DESIGN PRESSURE 0-40°(PS)	13 bar
DESIGN PRESSURE 150°(PS)	4 bar
WORKING PRESSURE 0-40°	13 bar
WORKING PRESSURE 150°	4 bar
DESIGN TEMP. MIN-MAX (TS)	0 - 150°C
VESSEL MATERIAL	316L / 1.4404
TEST PRESSURE (PT)	18,6 bar
FLUID GROUP	2 (NOT DANGEROUS)
PHISICAL STATE	LIQUID/GAS
SEALS MATERIAL	SILICON FDA BGA APPROVED
INTERNAL FINISHING	MECHANICAL POLISHING
INTERNAL ROUGHTNESS	RA<0.8 MICRON
EXTERNAL FINISHING	MECHANICAL POLISHING
VENT CONNECTION H	DIN11851 DN 25 MALE
DRAIN CONNECTION J	DIN11851 DN 15 MALE
DRAIN CONNECTION M	DIN11851 DN 15 MALE
INLET CONNECTION F	DIN11851 LINER
OUTLET CONNECTION G	DIN11851 MALE

VESSEL TYPE	SA303	SA304
CARTRIDGES HEIGHT	30"	40"
C mm	1500	1750
E mm	790	1040
TOTAL VESSEL VOLUME ltres (V)	235	293
INTEGRITY TEST VOLUME ltres (VI)	139	173
BOWL WEIGHT kg	61	74
TOTAL NET WEIGHT kg	122	133
PACKAGING SIZE cm78x100x	130	155
TOTAL WEIGHT PACKED kg	131	140

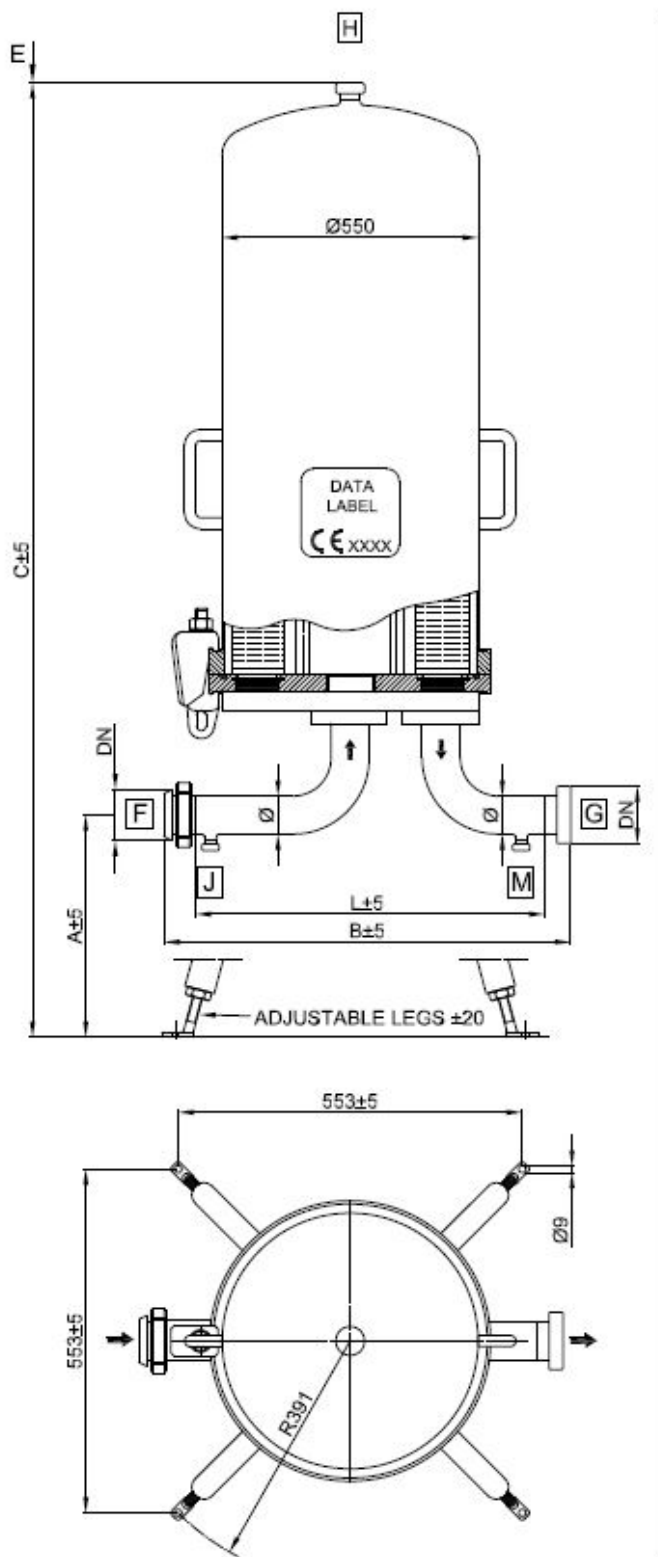
SPARE PARTS		
POS.	DESCRIPTION	PART NO.
1.1	HOUSING BOWL 30"	-
1.2	HOUSING BOWL 40"	-
2	BOLT CLAMP M16	8ZSL--0009
3.1	O-RING Ø7.00 ID=532.30 - SILICONE [STANDARD]	8ZDSC-0012
3.2	O-RING Ø7.00 ID=532.30 - EPDM	8ZDEC-0012
4	CARTRIDGE PLATE	-
5	LEG	-
6	FOOT	-
7	GASKET CLAMP 4"	8ZDPC-0001
8	INLET BEND	-
9	OUTLET BEND	-
10	BEND FLANGE	-
11	PROTECTION PLATE	-
12	HEXAGONAL NUT	-
12	TIE ROD 30"	-
	TIE ROD 40"	-
14	TIE ROD SCREW	-
15	ADAPTER (ONLY FOR CODE 28)	-



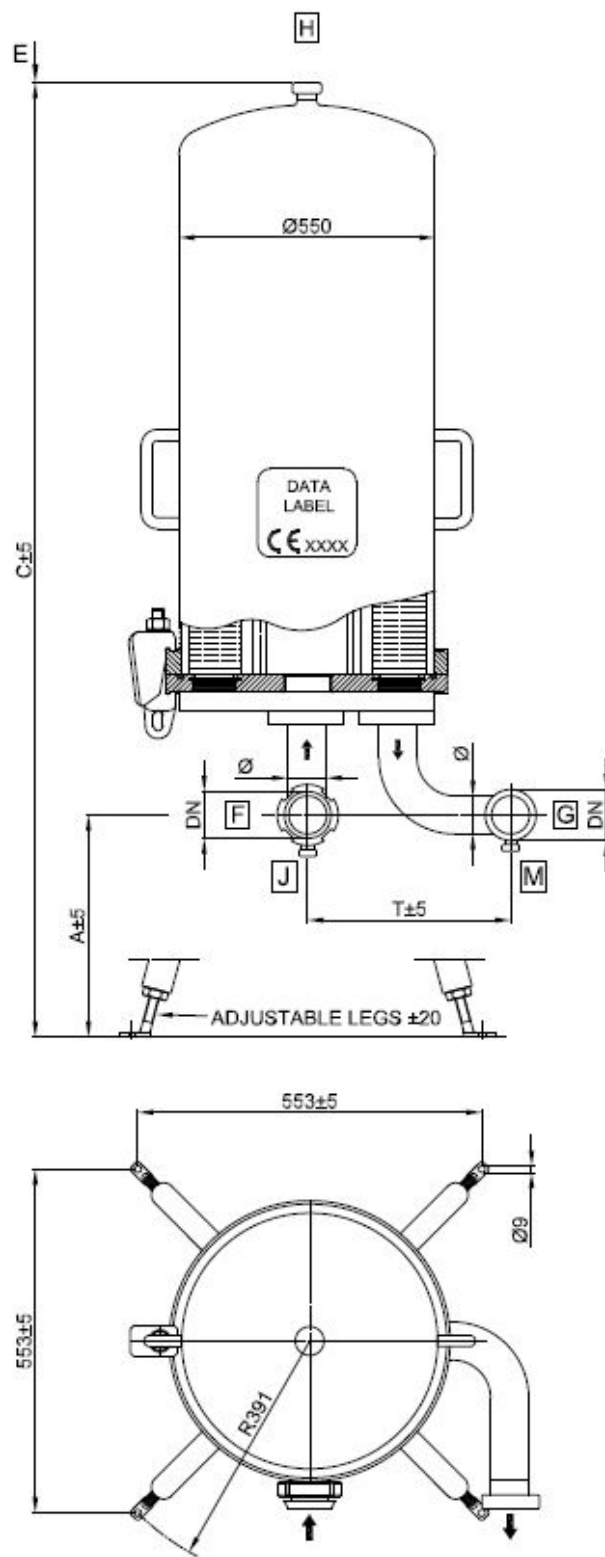
FILTER SERIES 813 - 36-ROUND HOUSING

HOUSING STYLE - T-TYPE - Series SA - DSH Ver. 07

Connection Style 1 - In Line



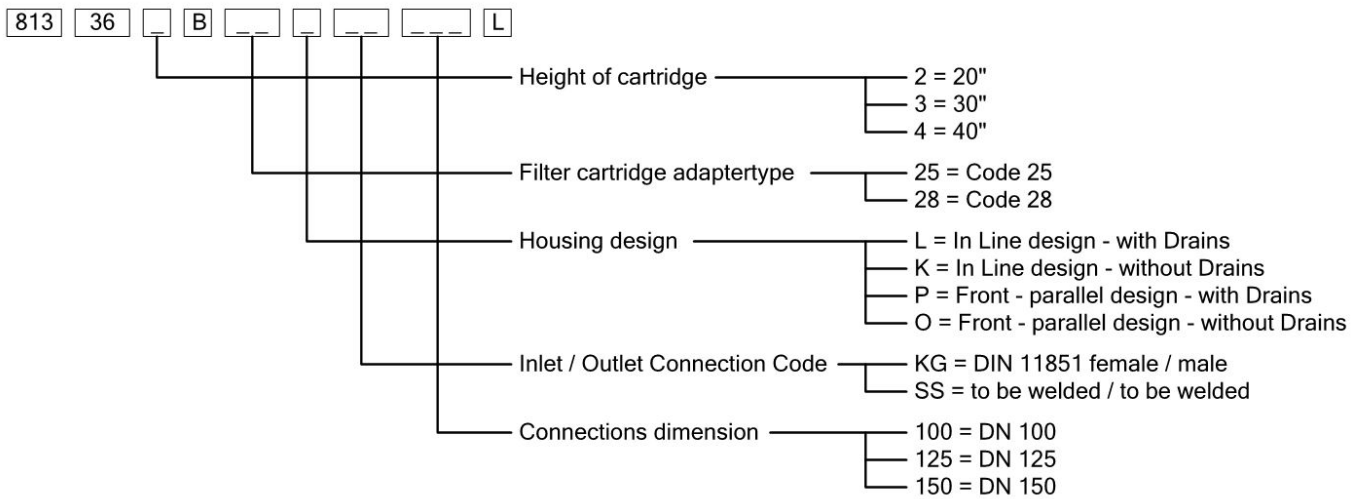
Connection Style 2 - Front



FILTER SERIES 813 - 36-ROUND HOUSING


HOUSING STYLE - T-TYPE - Series SA - DSH Ver. 07

Order Numbers



INLET & OUTLET CONNECTIONS					
	∅	A	B	L	T
DN100	101.6	323	715	620	455
DN125	-	-	-	-	-
DN150	-	-	-	-	-

DATA LABEL



FILTER HOUSING

PART NUMBER

TYPE " TYPE "

CARTRIDGE NO. x HIGH (Inch) 36 x " H "

CATEGORY 2014/68/EU IV

VOLUME LITRES (V) " V "

MAX PRESSURE(PS) at TS=0-40°C bar 13

MAX PRESSURE(PS) at TS=150°C bar 4

TEST PRESSURE bar (PT) 18,6

DESIGN TEMPERATURE (TS) MIN-MAX 0 - 150°C


FLUID GROUP (2014/68/EU) 2 - NOT DANG.

PHISICAL STATE LIQUID / GAS

VESSEL MATERIAL 316L / 1.4404

YEAR OF MANUFACTURE

VESSEL NUMBER


XXXX

TECHNICAL DATA

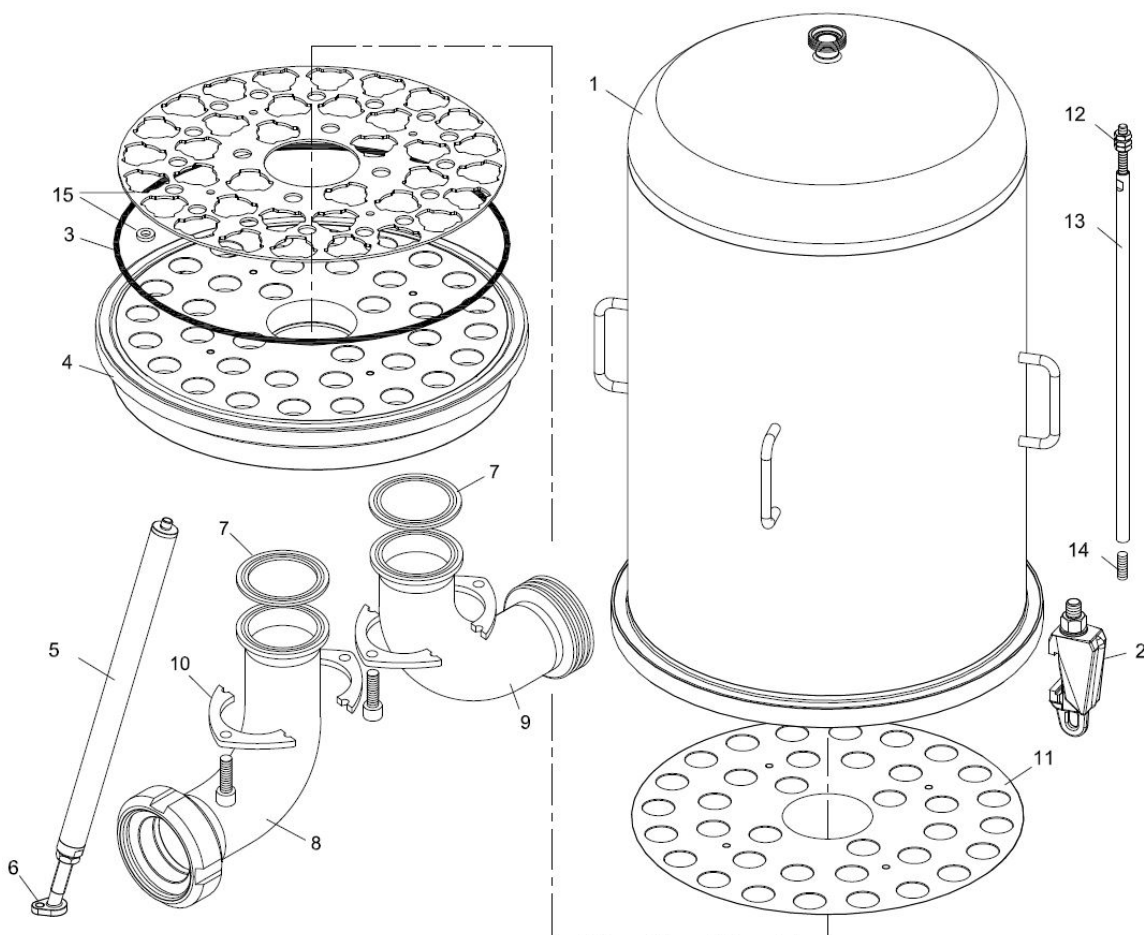
VESSEL RANGE	SA - SANITARY
NO. CARTRIDGES	36
DESIGN CODE	AD MERKBLATT
CERTIFICATION	2014/68/EU
HAZARD CATEGORY	FOURTH (2014/68/EU)
DESIGN PRESSURE 0-40°(PS)	13 bar
DESIGN PRESSURE 150°(PS)	4 bar
WORKING PRESSURE 0-40°	13 bar
WORKING PRESSURE 150°	4 bar
DESIGN TEMP. MIN-MAX (TS)	0 - 150°C
VESSEL MATERIAL	316L / 1.4404
TEST PRESSURE (PT)	18,6 bar
FLUID GROUP	2 (NOT DANGEROUS)
PHISICAL STATE	LIQUID/GAS
SEALS MATERIAL	SILICON FDA BGA APPROVED
INTERNAL FINISHING	MECHANICAL POLISHING
INTERNAL ROUGHTNESS	RA<0,8 MICRON
EXTERNAL FINISHING	MECHANICAL POLISHING
VENT CONNECTION H	DIN11851 DN 25 MALE
DRAIN CONNECTION J	DIN11851 DN 15 MALE
DRAIN CONNECTION M	DIN11851 DN 15 MALE
INLET CONNECTION F	WITHOUT GROOVE - FEMALE PART
OUTLET CONNECTION G	WITH GROOVE - MALE PART

VESSEL TYPE	SA363	SA364
CARTRIDGES HEIGHT	30"	40"
C mm	1500	1750
E mm	790	1040
TOTAL VESSEL VOLUME ltres (V)	235	293
INTEGRITY TEST VOLUME ltres (VI)	139	173
BOWL WEIGHT kg	61	74
TOTAL NET WEIGHT kg	122	133
PACKAGING SIZE cm78x100x	130	155
TOTAL WEIGHT PACKED kg	131	140

FILTER SERIES 813 - 36-ROUND HOUSING

HOUSING STYLE - T-TYPE - Series SA - DSH Ver. 01

SPARE PARTS		
POS.	DESCRIPTION	PART NO.
1.1	HOUSING BOWL 30"	-
1.2	HOUSING BOWL 40"	-
2	BOLT CLAMP M16	8ZSL--0009
3.1	O-RING Ø7.00 ID=532.30 - SILICONE [STANDARD]	8ZDSC-0012
3.2	O-RING Ø7.00 ID=532.30 - EPDM	8ZDEC-0012
4	CARTRIDGE PLATE	-
5	LEG	-
6	FOOT	-
7	GASKET CLAMP 4" - PTFE	8ZDPC-0001
8	INLET BEND	-
9	OUTLET BEND	-
10	BEND FLANGE	-
11	PROTECTION PLATE	-
12	HEXAGONAL NUT	-
12	TIE ROD 30"	-
	TIE ROD 40"	-
14	TIE ROD SCREW	-
15	ADAPTER (ONLY FOR CODE 28)	-

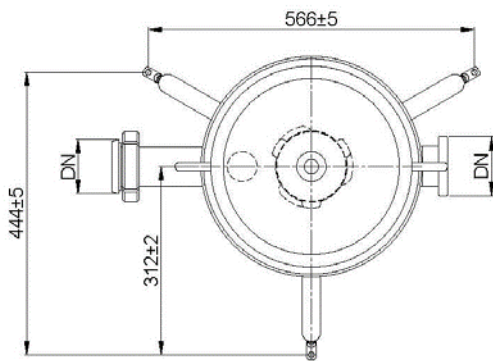
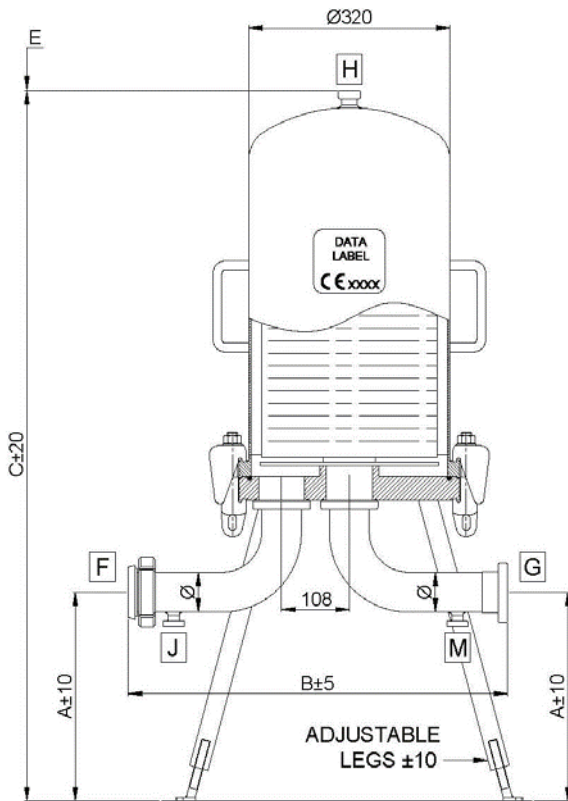




Type 813 - Jumbo (13 bar Version)



FILTER SERIES 813 - JUMBO 1-ROUND HOUSING

HOUSING STYLE - T-TYPE - Series JUMBO 01 - DSH Ver. 10



DATA LABEL	
 FILTER HOUSING	
PART NUMBER	
MODEL	"MODEL"
TYPE	"TYPE"
CARTRIDGE NO. x HIGH (inch)	01xH
CATEGORY 2014/68/EU	III
VOLUME LITRES (V)	"V"
PRESSURE(PS) min+max at TS=-20+40°C bar	-1 + 13
PRESSURE(PS) min+max at TS=150°C bar	-1 + 4
TEST PRESSURE(PT) bar	18.6
DESIGN TEMPERATURE (TS) min+max	-20 + 150°C
FLUID GROUP (2014/68/EU)	2 - NOT DANG.
PHISICAL STATE	LIQUID / GAS
VESSEL MATERIAL	316L / 1.4404
YEAR OF MANUFACTURE	
VESSEL NUMBER	
	

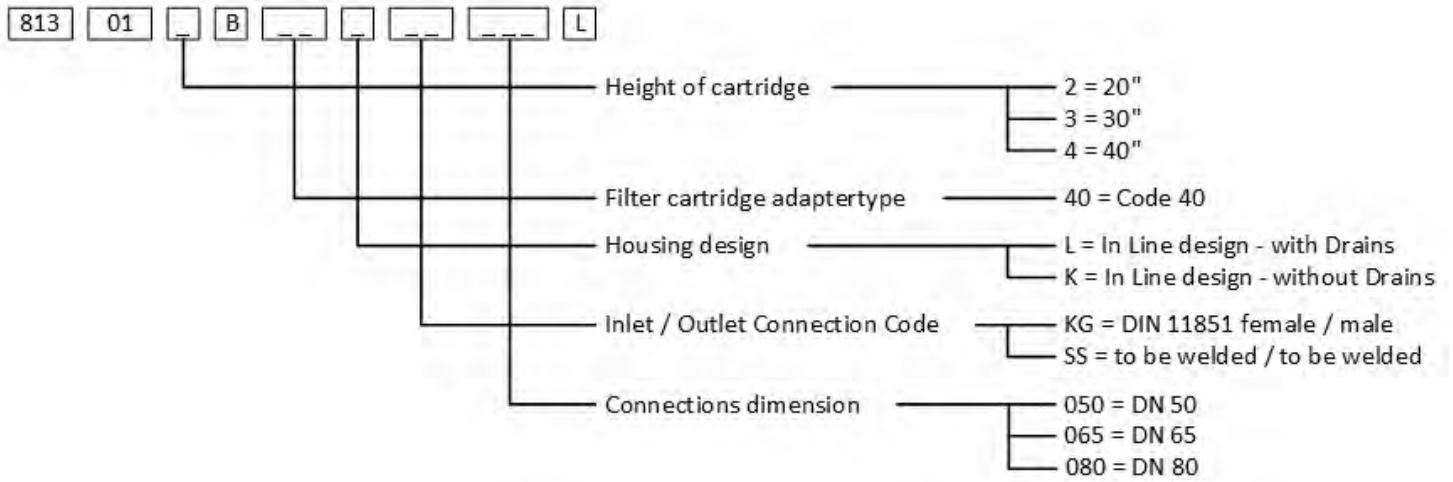
TECHNICAL DATA	
VESSEL RANGE	JUMBO - SANITARY
NO. CARTRIDGES	01
CARTRIDGE SOCKET	CODE 40
DESIGN CODE	EN13445
CERTIFICATION	2014/68/EU
PED CATEGORY	III (2014/68/EU)
DESIGN PRESSURE -20+40°(PS)	-1 + 13 bar
DESIGN PRESSURE 150°(PS)	-1 + 4 bar
WORKING PRESSURE -20+40°	-1 + 13 bar
WORKING PRESSURE 150°	-1 + 4 bar
DESIGN TEMP. MIN-MAX (TS)	-20 + 150°C
VESSEL MATERIAL	316L / 1.4404
TEST PRESSURE (PT)	18.6 bar
FLUID GROUP	2 (NOT DANGEROUS)
PHISICAL STATE	LIQUID/GAS
SEALS MATERIAL	SILICONE FDA BGA APPROVED
INTERNAL FINISHING	MECHANICAL POLISHING
INTERNAL ROUGHNESS	RA<0.8 MICRON
EXTERNAL FINISHING	MECHANICAL POLISHING
VENT CONNECTION H	DIN11851 DN 25 MALE
DRAIN CONNECTION J	DIN11851 DN 15 MALE
DRAIN CONNECTION M	DIN11851 DN 15 MALE
INLET CONNECTION F	DIN11851 LINER
OUTLET CONNECTION G	DIN11851 MALE

VESSEL MODEL	JB11	JB12	JB13	JB14
VESSEL TYPE	035.011.3	035.012.3	035.013.3	035.014.3
CARTRIDGES HEIGHT (H)	10"	20"	30"	40"
C mm	915	1170	1425	1680
E mm	200	540	790	1040
TOTAL VESSEL VOLUME litres (V)	26	46	66	86
BOWL WEIGHT kg	22	28	34	40
TOTAL NET WEIGHT kg	59	68	73	80
PACKAGING SIZE cm50x60x	65	90	115	140
TOTAL WEIGHT PACKED kg	65	70	77	84

DN	Ø	A	B
50	50.8	362	444
65	63.5	390	524
80	76.2	335	590

FILTER SERIES 813 - JUMBO 1-ROUND HOUSING

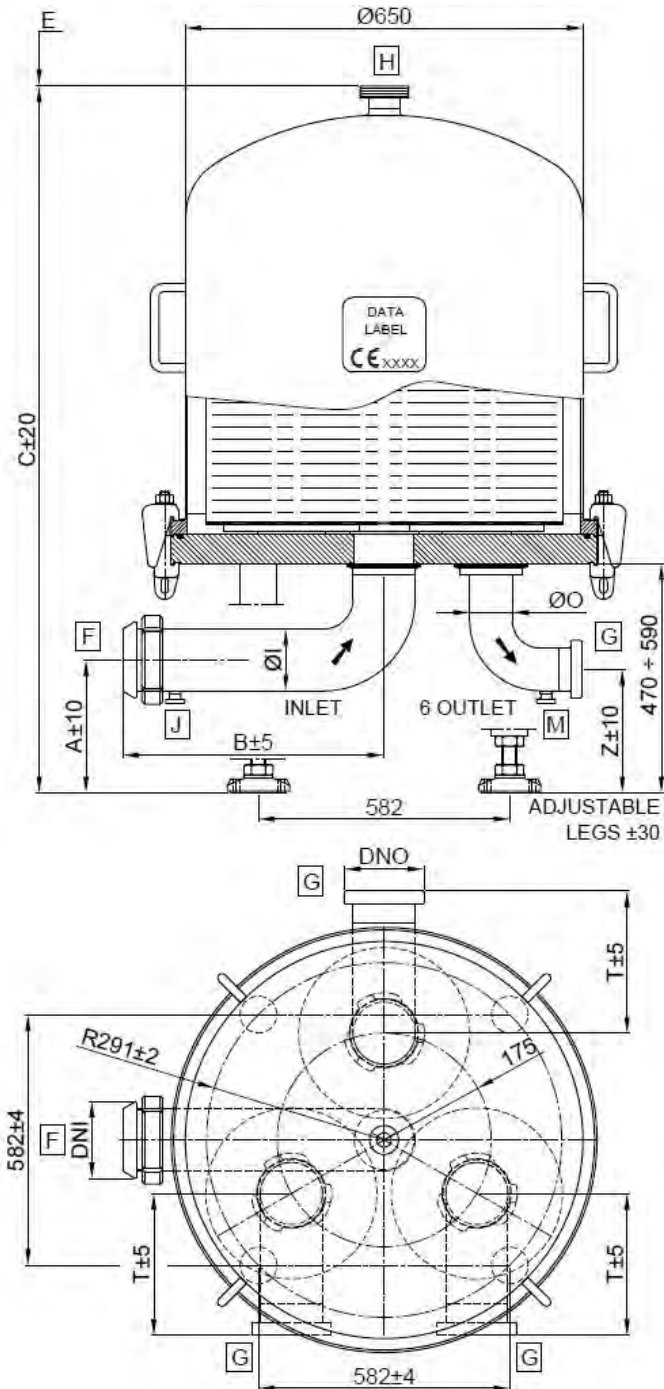
HOUSING STYLE - T-TYPE - Series JUMBO 01 - DSH Ver. 10

Order Numbers


SPARE PARTS				
POS.	DESCRIPTION	MATERIAL	PART NO.	Q.TY
1	O-RING 304,10mm x 7,00mm	Silicone	8ZDSC-0018	1

FILTER SERIES 813 - JUMBO 3-ROUND HOUSING

HOUSING STYLE - T-TYPE - Series JUMBO 03 - DSH Ver. 06



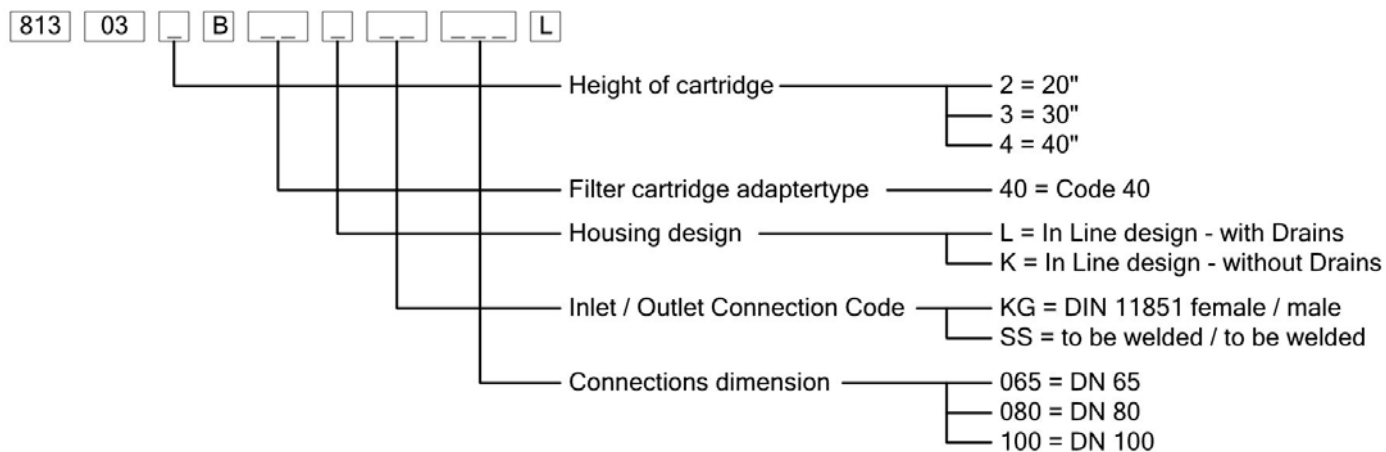
DATA LABEL	
AVT® FILTER HOUSING	
PART NUMBER	
MODEL	"MODEL"
TYPE	"TYPE"
CARTRIDGE NO. x HIGH (inch)	03 x H
CATEGORY 2014/68/EU	IV
VOLUME LITRES (V)	"V"
PRESSURE(PS) min-max at TS=-20+40°C	bar -1 ÷ 13
PRESSURE(PS) min-max at TS=150°C	bar -1 ÷ 4
TEST PRESSURE(PT) bar	18.6
DESIGN TEMPERATURE (TS) min-max	-20 + 150°C
FLUID GROUP (2014/68/EU)	2 - NOT DANG.
PHISICAL STATE	LIQUID / GAS
VESSEL MATERIAL	316L / 1.4404
YEAR OF MANUFACTURE	
VESSEL NUMBER	
CE XXXX	

TECHNICAL DATA	
VESSEL RANGE	JUMBO - SANITARY
NO. CARTRIDGES	03
CARTRIDGE SOCKET	CODE 40
DESIGN CODE	EN13445
CERTIFICATION	2014/68/EU
PED CATEGORY	IV (2014/68/EU)
DESIGN PRESSURE -20+40°(PS)	-1 ÷ 13 bar
DESIGN PRESSURE 150°(PS)	-1 ÷ 4 bar
WORKING PRESSURE -20+40°	-1 ÷ 13 bar
WORKING PRESSURE 150°	-1 ÷ 4 bar
DESIGN TEMP. MIN-MAX (TS)	-20 + 150°C
VESSEL MATERIAL	316L / 1.4404
TEST PRESSURE (PT)	18.6 bar
FLUID GROUP	2 (NOT DANGEROUS)
PHISICAL STATE	LIQUID/GAS
SEALS MATERIAL	SILICONE FDA BGA APPROVED
INTERNAL FINISHING	MECHANICAL POLISHING
INTERNAL ROUGHNESS	RA<0.8 MICRON
EXTERNAL FINISHING	MECHANICAL POLISHING
VENT CONNECTION	H DIN11851 DN 25 MALE
DRAIN CONNECTION	J DIN11851 DN 15 MALE
DRAIN CONNECTION	M DIN11851 DN 15 MALE
INLET CONNECTION	F DIN11851 LINER
OUTLET CONNECTION	G DIN11851 MALE

VESSEL MODEL	JB31	JB32	JB33	JB34
VESSEL TYPE	035.031.4	035.032.4	035.033.4	035.034.4
CARTRIDGES HEIGHT (H)	10"	20"	30"	40"
C mm	1055	1310	1565	1820
E mm	200	550	800	1050
TOTAL VESSEL VOLUME litres (V)	108	190	272	354
BOWL WEIGHT kg	56	76	96	116
TOTAL NET WEIGHT kg ~	270	290	310	330
PACKAGING SIZE cm78x100x	80	105	130	155
TOTAL WEIGHT PACKED kg	290	310	330	350

Inlet & Outlet Connections							
	Inlet			Outlet			
	Ø	A	B	Ø	Z	T	
DN 65	70	400	444	DN 50	50.8	370	137
DN 80	85	380	440	DN 50	50.8	370	137
DN 100	101.6	368	440	DN 65	63.5	352	148

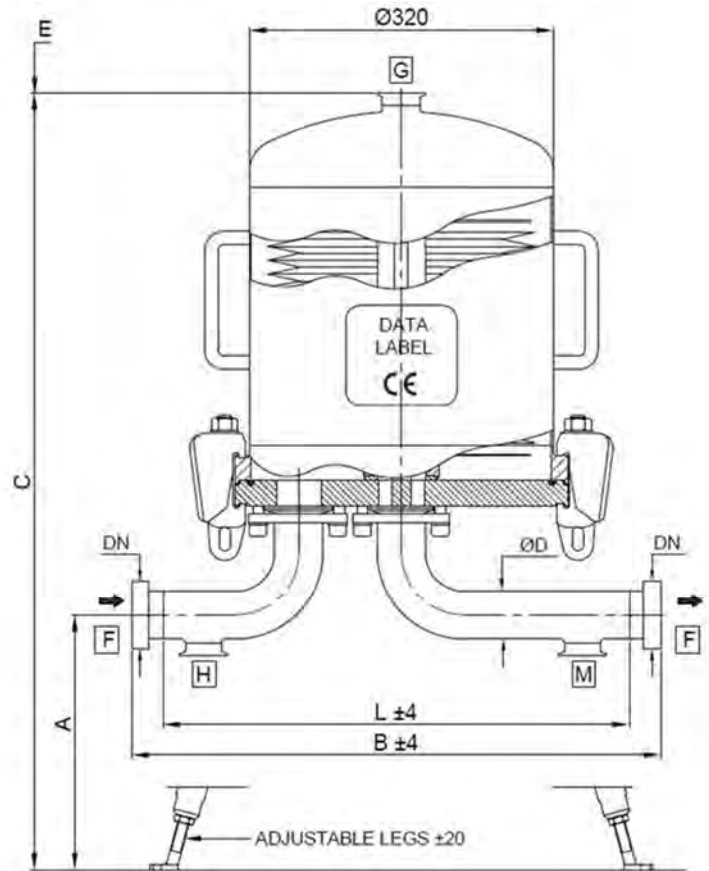
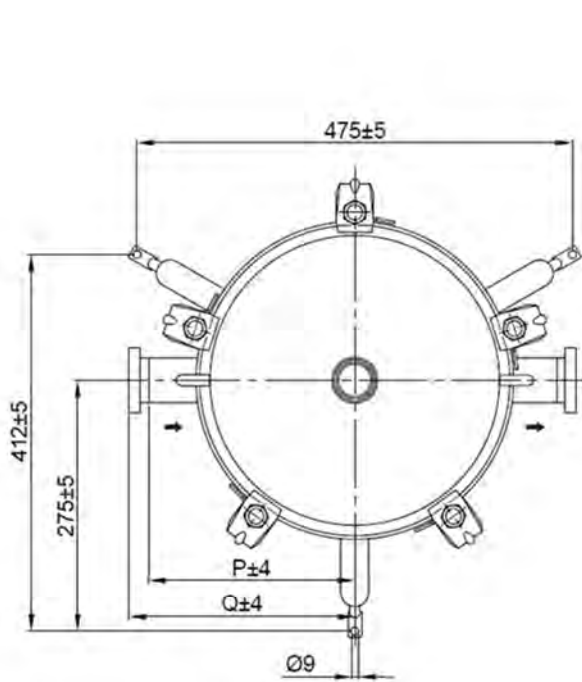
Order Numbers



SPARE PARTS				
POS.	DESCRIPTION	MATERIAL	PART NO.	Q.TY
1	O-RING 634,00mm x 9,00mm	Silicone	8ZDSC-0019	1

Type 292 - SARTOCLEAR (8 BAR VERSION)





TECHNICAL DATA	
VESSEL MODEL	FZ - SANITARY
MODULE DIAMETER	12"
CARTRIDGE SOCKET	FLAT GASKET
DESIGN CODE	GENERALLY AD MERKBLATT
CERTIFICATION	2014/68/EU
FLUID GROUP	1 - 2 (DANGEROUS AND NOT)
PED CATEGORY	I
DESIGN PRESSURE (PS)	8 bar
TEST PRESSURE (PT)	11.5 bar
VESSEL MATERIAL	316L / 1.4404
SEALS MATERIAL	SILICONE FDA BGA APPROVED
INTERNAL FINISHING	MECHANICAL POLISHING
INTERNAL ROUGHNESS	RA<0.8 MICRON
EXTERNAL FINISHING	MECHANICAL POLISHING
VENT CONNECTION G	CLAMP 1.5"
DRAIN CONNECTION H	CLAMP 1.5"
DRAIN CONNECTION M	CLAMP 1.5"

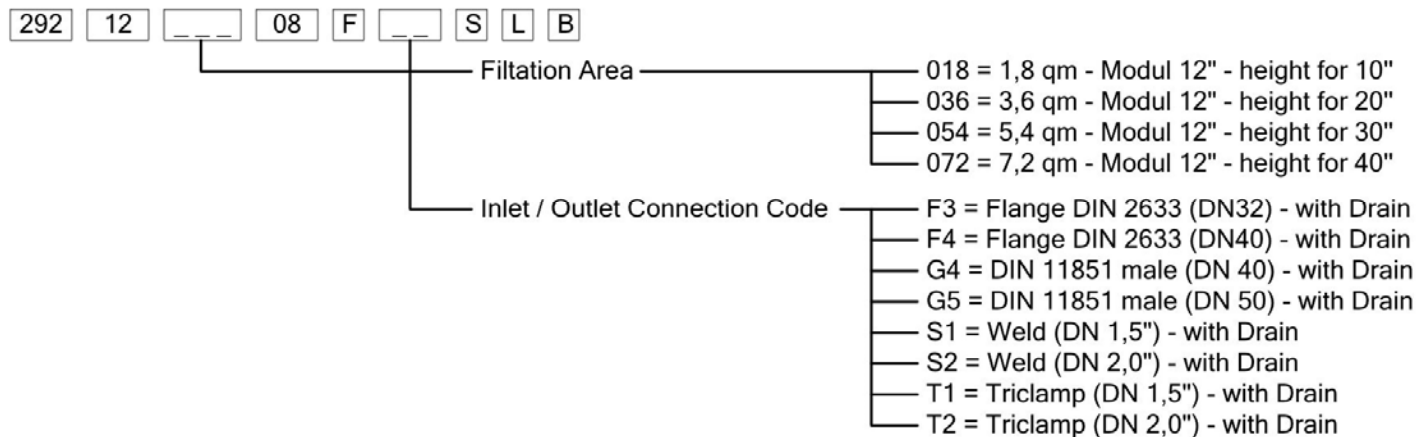
TYPE	FZ121	FZ122	FZ123	FZ124
NO. MODULES	1	2	3	4
C mm	970	1240	1520	1820
E mm	430	700	970	1250
TOTAL VESSEL VOLUME litres (V)	32	53	74	96
BOWL WEIGHT kg	11	16	20	25
TOTAL NET WEIGHT kg	44	50	58	63
PACKAGING SIZE CM 50x51x	90	115	140	165
TOTAL WEIGHT PACKED kg	49	56	65	70

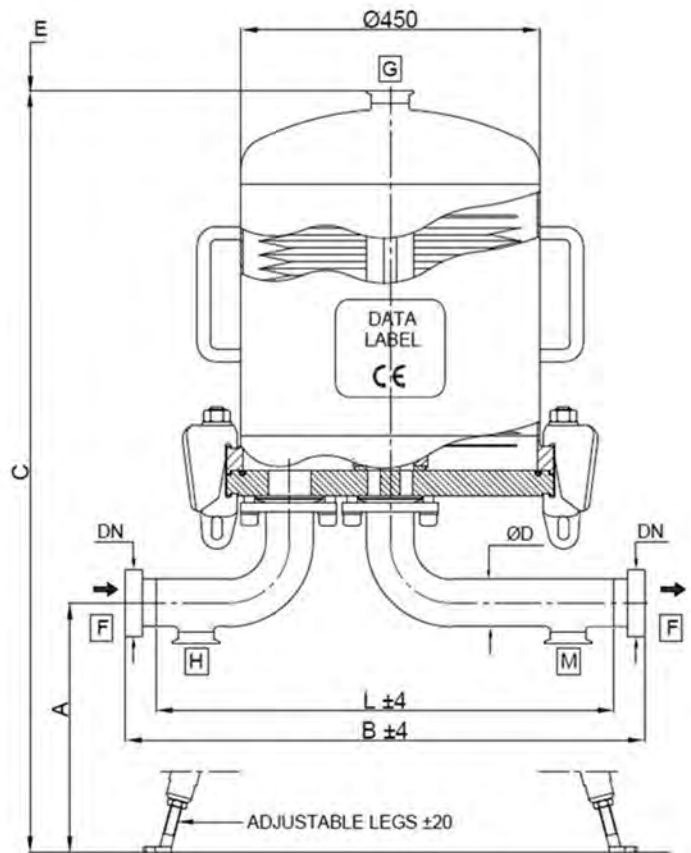
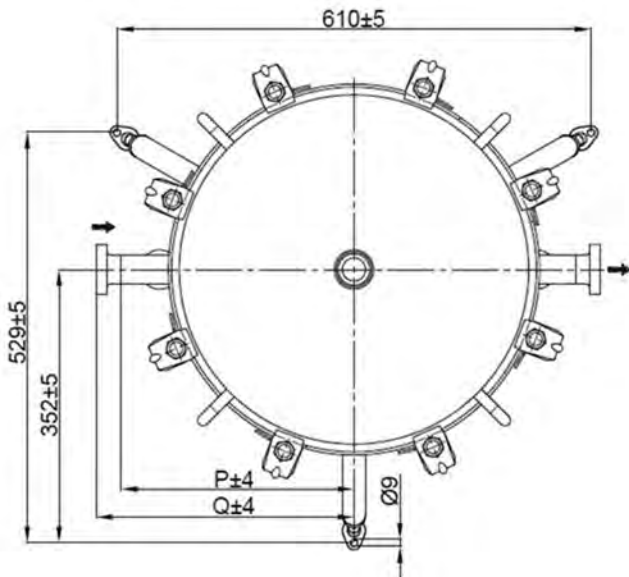
WORKING CONDITIONS 2014/68/EU			MAX PRESSURE bar			
FLUID GROUP	STATE	TEMPERAT.	FZ121	FZ122	FZ123	FZ124
DANGEROUS	LIQUID	0 - 40° C	8.0	8.0	8.0	8.0
DANGEROUS	LIQUID	150° C	6.2	6.2	6.2	6.2
DANGEROUS	GAS/VAPOR	0 -150° C	1.4	0.9	0.6	0.5
NOT DANGER.	LIQUID	0 - 40° C	8.0	8.0	8.0	8.0
NOT DANGER.	LIQUID	150° C	6.2	6.2	6.2	6.2
NOT DANGER.	GAS/VAPOR	0 - 150° C	5.9	3.6	2.6	2.0

Inlet - Outlet Connections					
	DN	A	L	P	ØD
S1 = Weld	1.5"	400	490	270	38.1
S2 = Weld	2.0"	370	513	290	50.8

Inlet - Outlet Connections					
	DN	A	B	Q	ØD
G4 = DIN 11851 male	40	400	556	303	38.1
G5 = DIN 11851 male	50	370	583	325	50.8
T1= Triclamp	1.5"	400	516	283	38.1
T2= Triclamp	2.0"	370	539	303	50.8
F3= Flange EN1092-1	32	387	561	311	42.4
F4= Flange EN1092-1	40	410	580	320	48.3

Order Numbers




TECHNICAL DATA

VESSEL MODEL	FZ - SANITARY
MODULE DIAMETER	16"
CARTRIDGE SOCKET	FLAT GASKET
DESIGN CODE	GENERALLY AD MERKBLATT
CERTIFICATION	2014/68/EU PED
FLUID GROUP	1 - 2 (DANGEROUS AND NOT)
PED CATEGORY	I
DESIGN PRESSURE (PS)	8 bar
TEST PRESSURE (PT)	11.5 bar
VESSEL MATERIAL	316L / 1.4404
SEALS MATERIAL	SILICONE FDA BGA APPROVED
INTERNAL FINISHING	MECHANICAL POLISHING
INTERNAL ROUGHNESS	RA<0.8 MICRON
EXTERNAL FINISHING	MECHANICAL POLISHING
VENT CONNECTION [G]	CLAMP 1.5"
DRAIN CONNECTION [H]	CLAMP 1.5"
DRAIN CONNECTION [M]	CLAMP 1.5"

TYPE	FZ161	FZ162	FZ163	FZ164
NO. MODULES	1	2	3	4
C mm	970	1240	1540	1840
E mm	440	710	980	1260
TOTAL VESSEL VOLUME litres (V)	63	105	147	191
BOWL WEIGHT kg	21	30	40	50
TOTAL NET WEIGHT kg	75	86	99	111
PACKAGING SIZE CM 63x64x	100	125	150	175
TOTAL WEIGHT PACKED kg	81	93	107	119

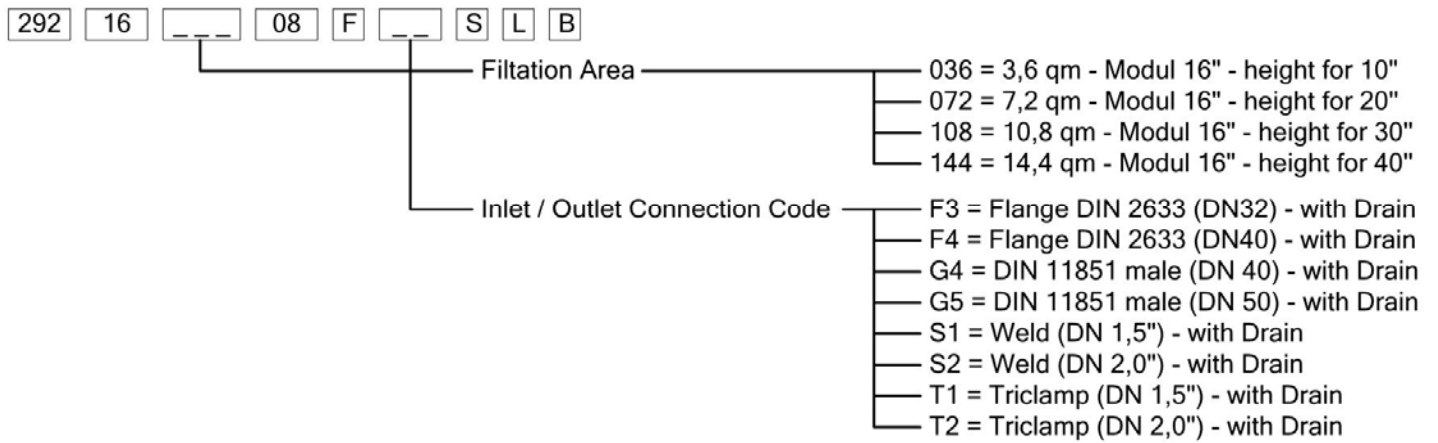
WORKING CONDITIONS 2014/68/EU			MAX PRESSURE bar			
FLUID GROUP	STATE	TEMPERAT.	FZ161	FZ162	FZ163	FZ164
DANGEROUS	LIQUID	0 - 40° C	8.0	8.0	8.0	8.0
DANGEROUS	LIQUID	150° C	6.2	6.2	6.2	6.2
DANGEROUS	GAS/VAPOR	0 - 150° C	0.7	0.5	0.5	0.5
NOT DANGER.	LIQUID	0 - 40° C	8.0	8.0	8.0	8.0
NOT DANGER.	LIQUID	150° C	6.2	6.2	6.2	6.2
NOT DANGER.	GAS/VAPOR	0 - 150° C	3.1	1.8	1.3	1.0

Inlet - Outlet Connections

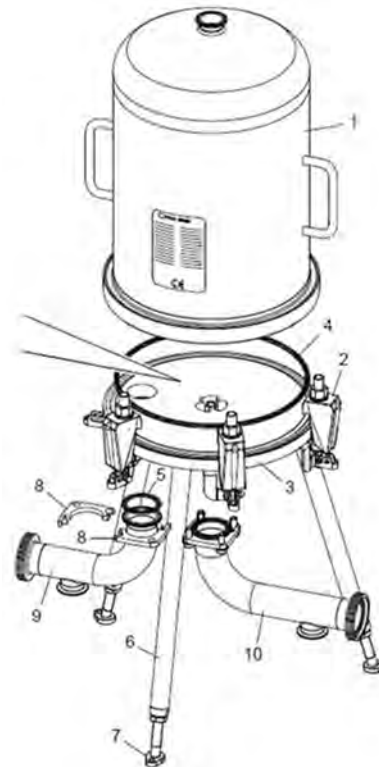
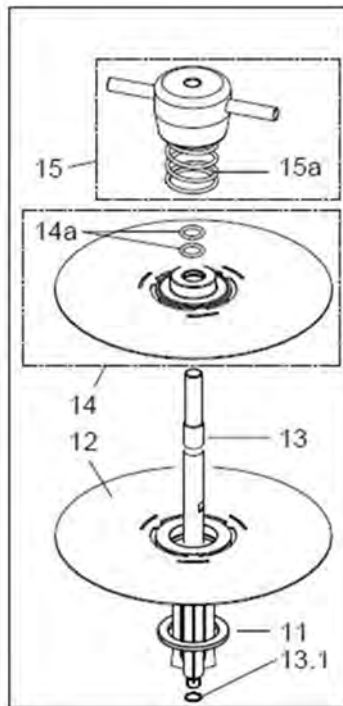
	DN	A	L	P	ØD
S1 = Weld	1.5"	400	585	300	38.1
S2 = Weld	2.0"	370	605	320	50.8

Inlet - Outlet Connections

	DN	A	B	Q	ØD
G4 = DIN 11851 male	40	400	651	333	38.1
G5 = DIN 11851 male	50	370	675	355	50.8
T1= Triclamp	1.5"	400	611	313	38.1
T2= Triclamp	2.0"	370	631	333	50.8
F3= Flange EN1092-1	32	387	671	351	42.4
F4= Flange EN1092-1	40	410	690	360	48.3

Order Numbers


Series FZ



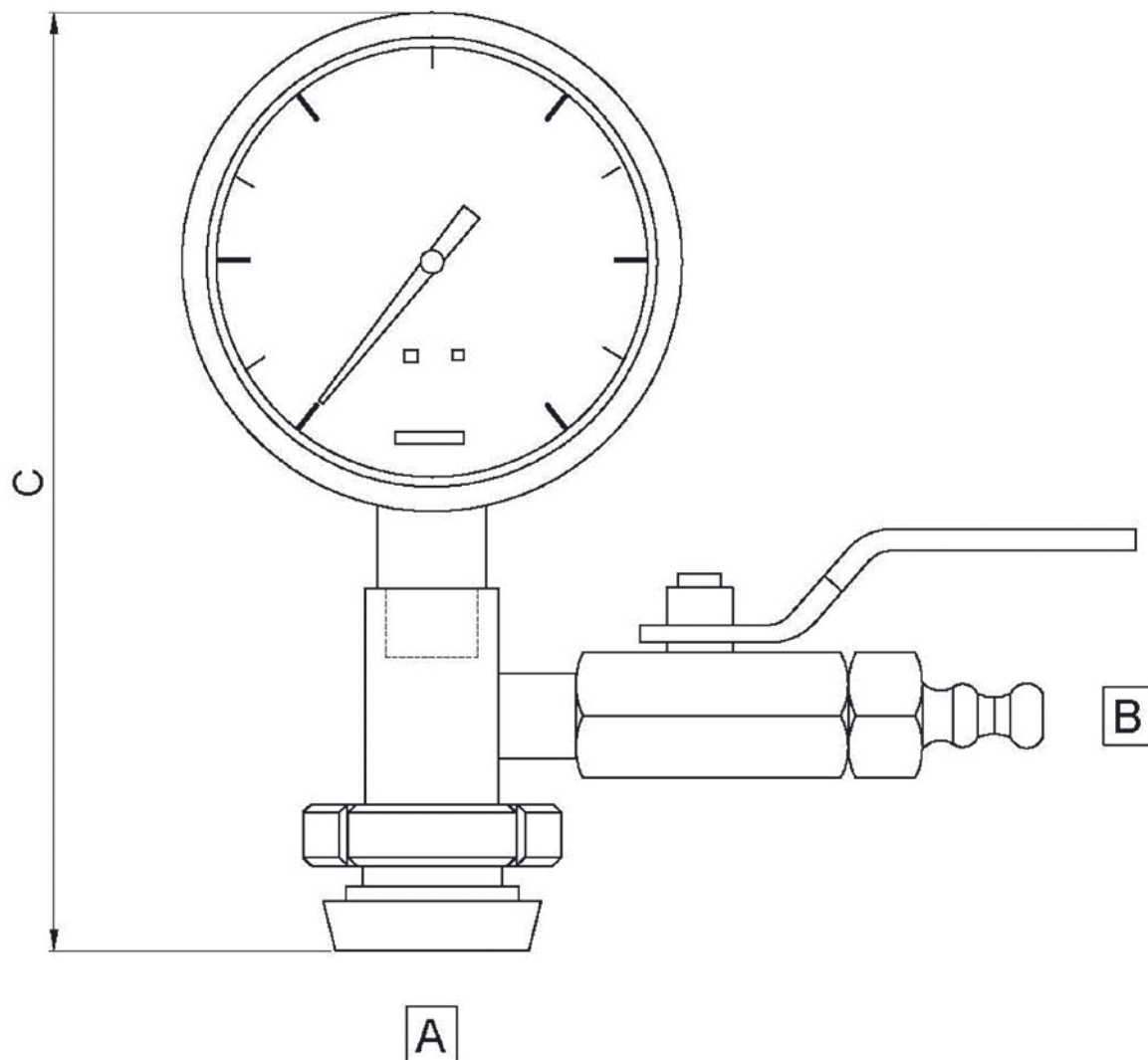
Position	Description	Part.No. 12"	Part.No. 16"	Q.TY
1	1.1 Housing Bowl 1 Module	-	-	1
	1.2 Housing Bowl 2 Module	-	-	1
	1.3 Housing Bowl 3 Module	-	-	1
	1.4 Housing Bowl 4 Module	-	-	1
2	2.1 Segmented clamp screw	8ZSL--0009	-	6
	2.2 Segmented clamp screw	-	8ZSL--0009	9
3	Cartridges Plate	-	-	1
4	4.1 O-Ring d=7.00 ID=304.10 - Silicone*	see O-Ring Set	-	1
	4.2 O-Ring d=7.00 ID=443.40 - Silicone*	-	see O-Ring Set	1
5	Gasket Clamp 2" - PTFE	8ZDPC-0005	8ZDPC-0005	2
6	Leg	-	-	3
7	Foot	-	-	3
8	Bend Flange	-	-	4
9	Inlet Bend	-	-	1
10	Outlet Bend	-	-	1
11	Flat Gasket - Silicone*	see O-Ring Set	see O-Ring Set	1
12	Lower Protection Plate	-	-	1
1 3	13.1 O-Ring d=1.78 ID=14.00 - PTFE	-	-	1
	13.2 Center Post 1 Module	-	-	1
	13.3 Center Post 2 Modules	-	-	1
	13.4 Center Post 3 Modules	-	-	1
	13.5 Center Post 4 Modules	-	-	1
1 4	14.1 Upper Plate with O-Ring	see O-Ring Set	see O-Ring Set	1
	14.2 O-Ring \AA 3.53 ID=18.64 - FEP	-	-	2
1 5	15.1 Polypropylene Tighten Nut with Spring	-	-	1
	15.2 Spring	-	-	1

Partslist: O-Ring Set		
Gasket Material	Part.No. 12"	Part.No. 16"
Silicone*	8ZDSC-0024	8ZDSC-0025
EPDM	8ZDEC-0024	8ZDEC-0025
Viton	8ZDVC-0024	8ZDVC-0025
PTFE	8ZDPC-0024	8ZDPC-0025
Part List Position	Q.TY	Q.TY
4.1	1	
4.2		1
11	1	1
14.1	2	2

ACCESSORIES



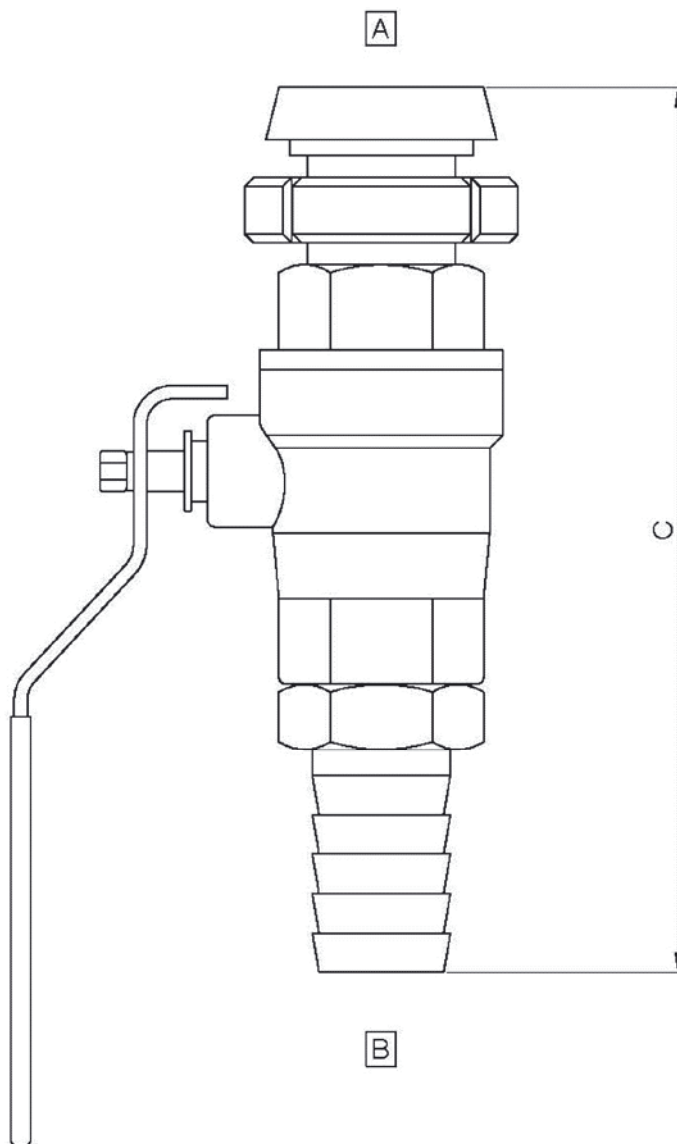
VENT DIN 25 & BALL VALVE 3/8"



TECHNICAL DATA	
MATERIAL	AISI 316L
GASKET MATERIAL	PETP
FLUID GROUP	DANGEROUS AND NOT DANGEROUS
PRESSURE GAUGE	ø100, GLICERINE BATH 0-16 bar
A	DIN 025 TAPER PART
B	QUICK COUPLING - RECTUS 3/8"
C	190

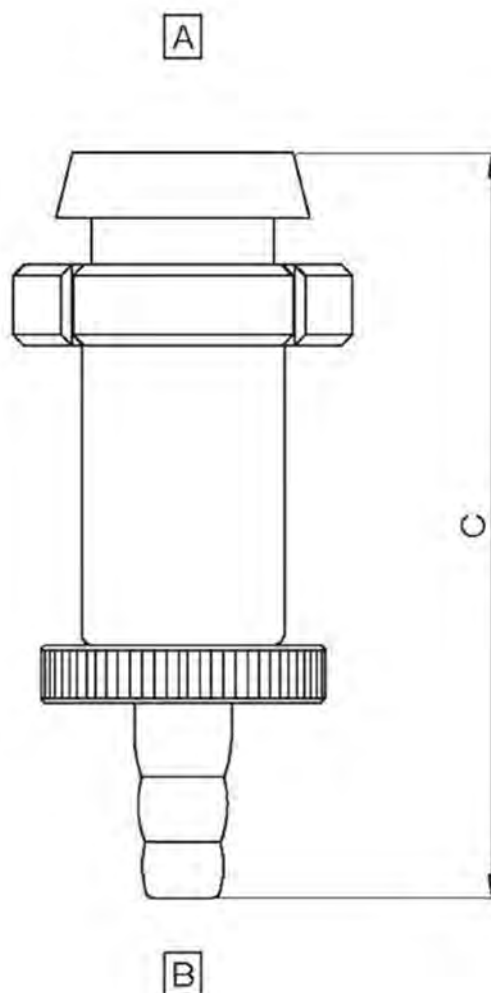
Part Numbers
8ZML--0001

BALL VALVE DIN 15



TECHNICAL DATA	
MATERIAL	AISI 316L
A	DIN 11851 DN 015 TAPER PART
B	ø21
C	125

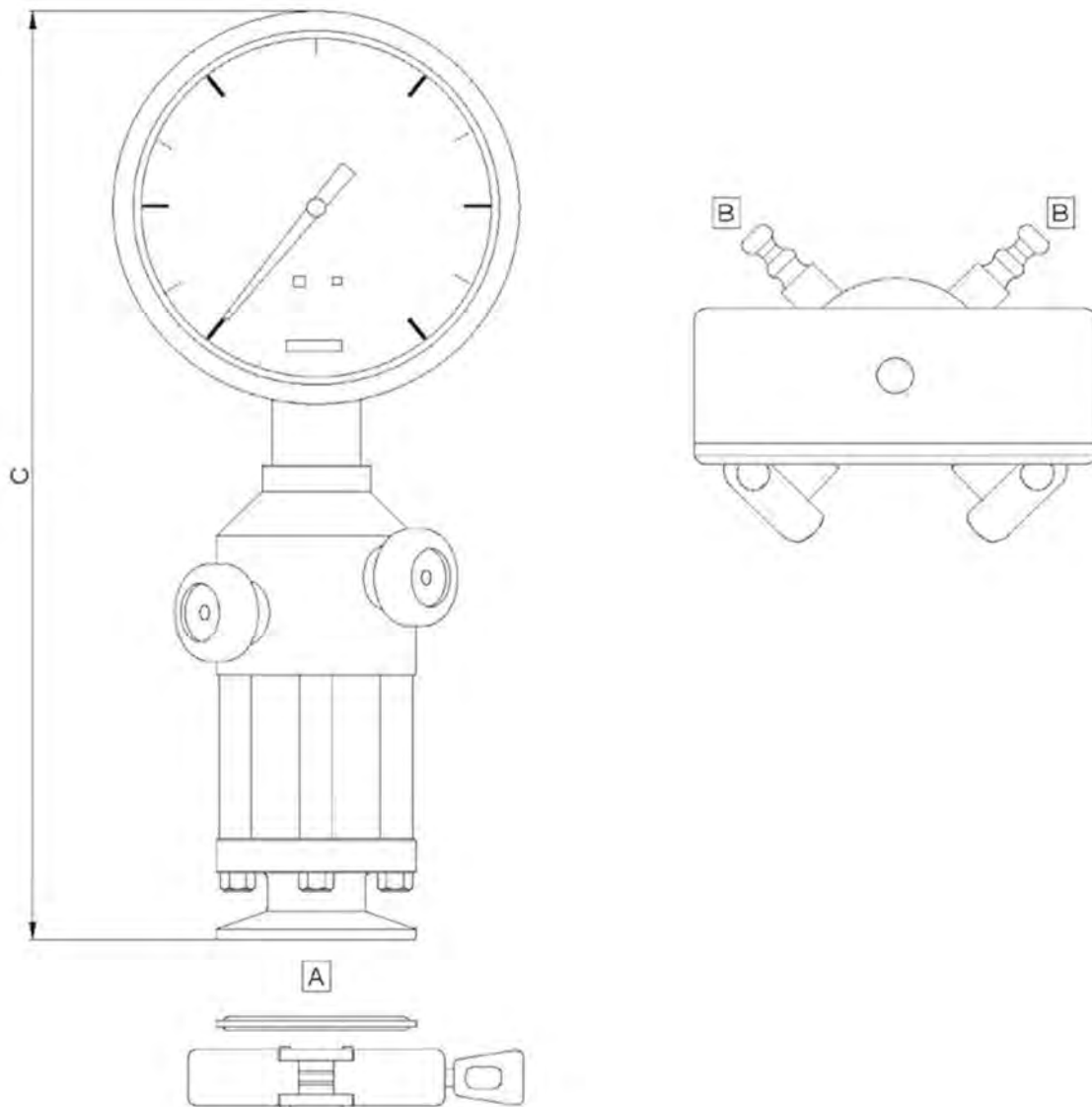
Part Numbers
8ZVL--0001



TECHNICAL DATA	
MATERIAL	AISI 316L
GASKET MATERIAL	SILICON
A	DIN 11851 DN 015 TAPER PART
B	ø12
C	85

Part Numbers
8ZVL--0006

VENT & SIGHT GLASS & SANITARY VALVES



TECHNICAL DATA	
MATERIAL	AISI 316L
GASKET MATERIAL	SILICONE
FLUID GROUP	NOT DANGEROUS
PRESSURE GAUGE	ø100, GLICERINE BATH
A	1.5" CLAMP
B	HOSE ADAPTER ø9
C	250

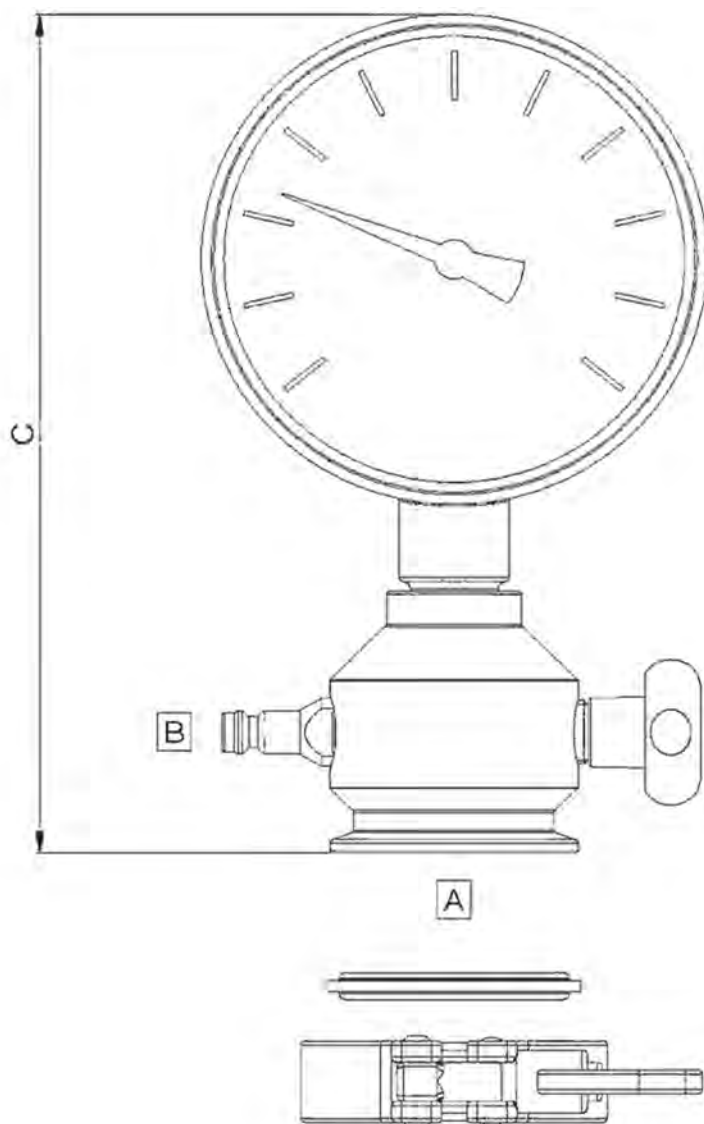
(*)

(*) The Coupling System to Attach is: RECTUS Serie 21.

Description	Part Numbers
0 - 6 bar	8ZML--0005
0 - 10 bar	8ZML--0006
Spareparts Set	8ZD-C-0017

Partslist: Spareparts Set	Q.TY
O-Ring ø 1.78 x ø 3.69 - Viton	4
O-Ring ø 1.78 x ø 7.66 - Viton	4
Glass	2
Glass Gasket - Silicone	4

VENT & SANITARY VALVE



TECHNICAL DATA	
MATERIAL	AISI 316L
GASKET MATERIAL	VITON
FLUID GROUP	NOT DANGEROUS
PRESSURE GAUGE	ø100, GLICERINE BATH
A	1.5" CLAMP
B	HOSE ADAPTER ø9
C	175

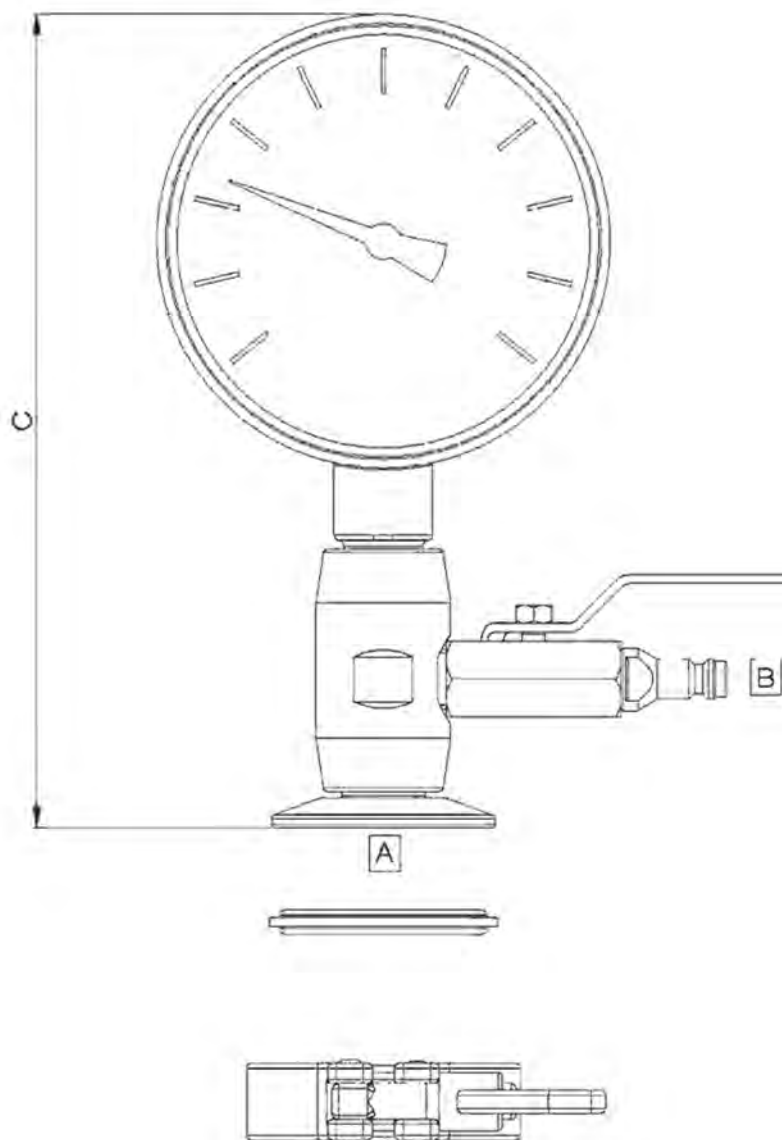
(*)

(*) The Coupling System to Attach is: RECTUS Serie 21.

Description	Part Numbers
0 - 6 bar	8ZML--0003
0 - 10 bar	8ZML--0004
Spareparts Set	8ZDVC-0016

Partslist: Spareparts Set	Q.TY
O-Ring Ø 1.78 x Ø 7.66 - Viton	2
Flat Gasket PTFE	2
Gasket Ring	2
Flat Gasket 1/2" PTFE	2

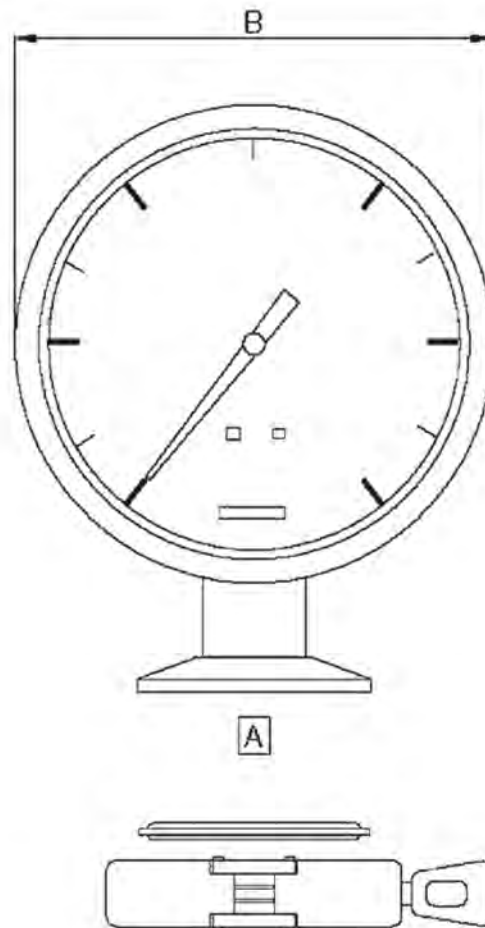
VENT & BALL VALVE



TECHNICAL DATA	
MATERIAL	AISI 316L
GASKET MATERIAL	SILICONE
FLUID GROUP	DANGEROUS AND NOT DANGEROUS
PRESSURE GAUGE	ø100, GLICERINE BATH
A	1.5" CLAMP
B	HOSE ADAPTER ø9
C	181

Part Numbers
8ZML-0002

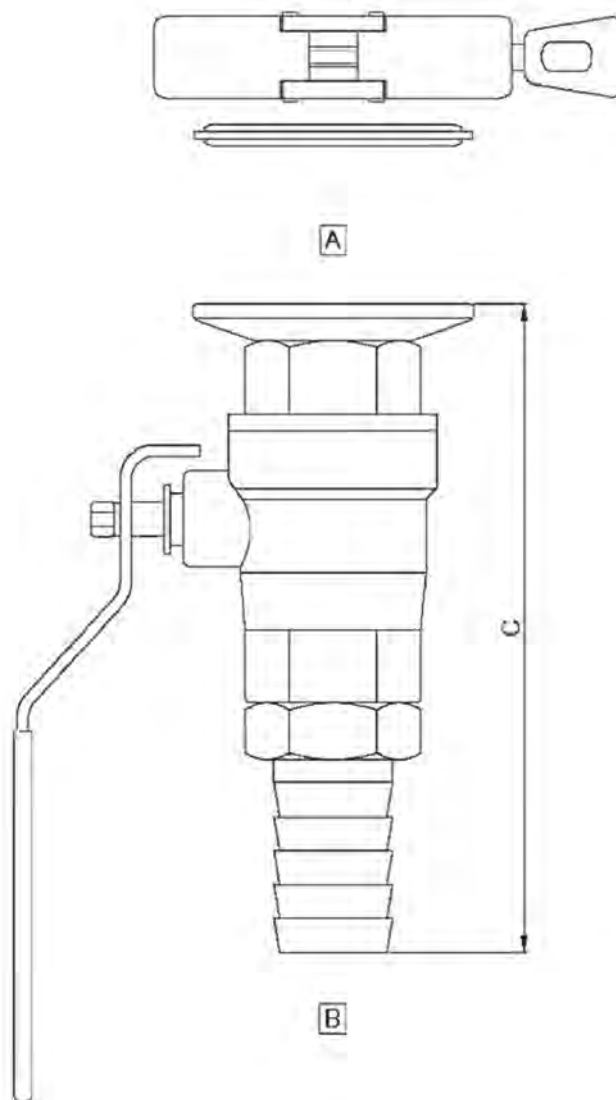
DIAPHRAGM PRESSURE GAUGE



TECHNICAL DATA	
A	CLAMP 1.5"
B	∅100
MATERIAL	AISI 316L
GASKET MATERIAL	SILICONE
CASE FILL	GLICERINE BATH

Description	Part Numbers
0 - 10 bar	8ZML--0007

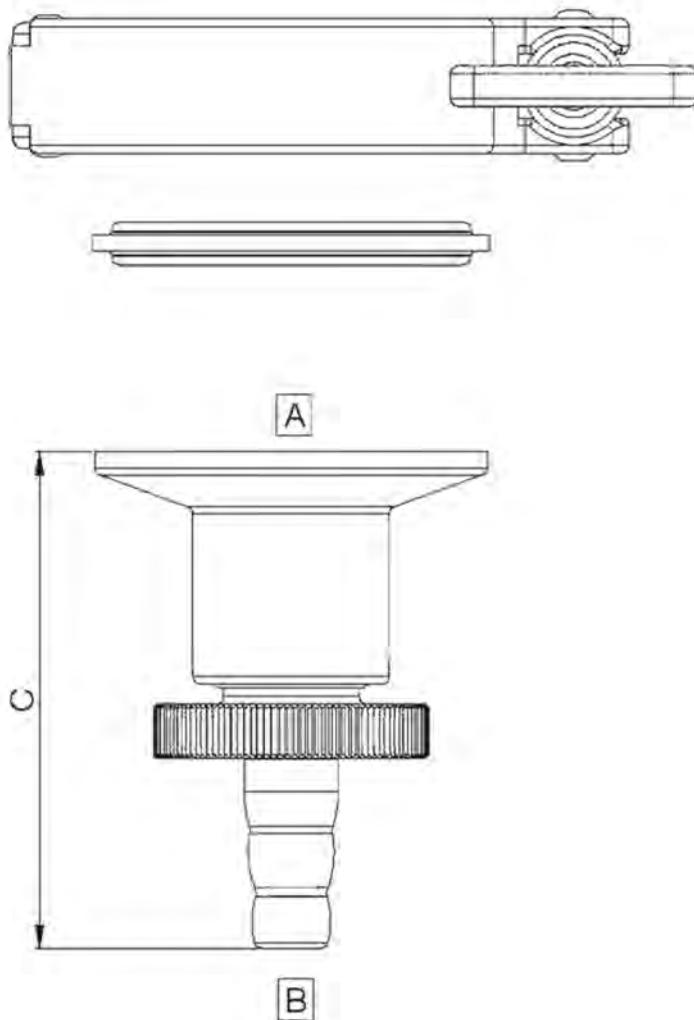
BALL VALVE CLAMP



TECHNICAL DATA	
MATERIAL	AISI 316L
GASKET MATERIAL	SILICONE
A	CLAMP 1.5"
B	ø21
C	115

Part Numbers
8ZVL--0002

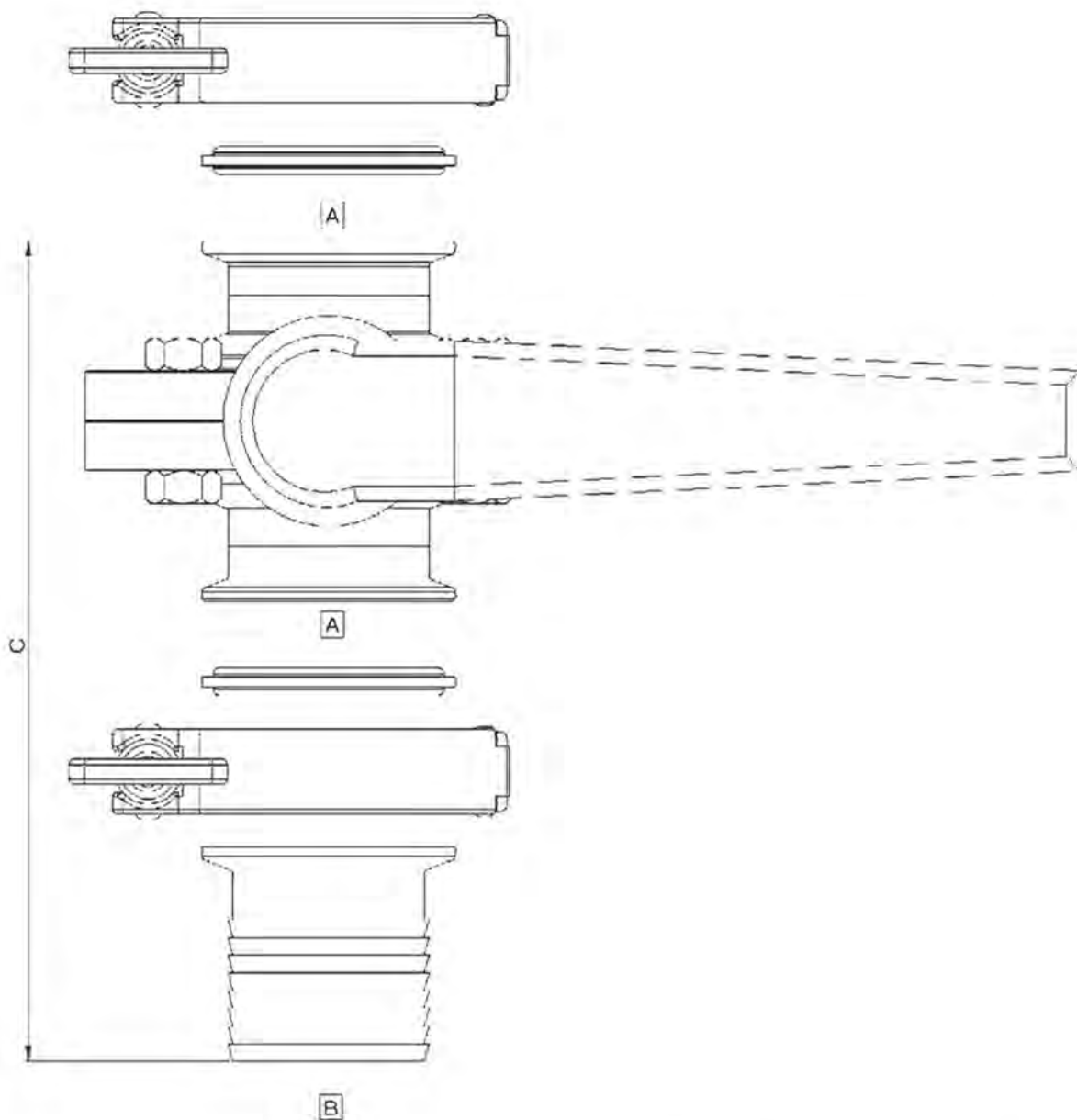
SAMPLING | TEST VALVE CLAMP



TECHNICAL DATA	
MATERIAL	AISI 316L
GASKET MATERIAL	SILICONE
A	CLAMP 1.5"
B	ø12
C	63

Part Numbers
8ZVL--0005

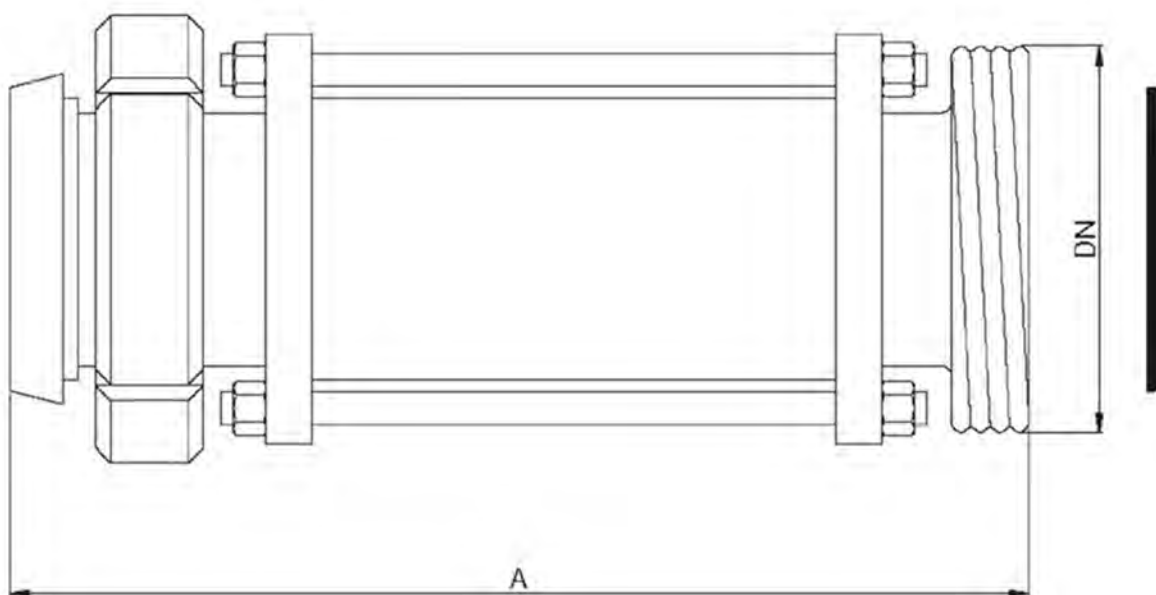
BUTTERFLY VALVE - CLAMP



TECHNICAL DATA		
MATERIAL	AISI 316L	AISI 316L
GASKETS MATERIAL	SILICONE	SILICONE
A	1.0"	1.5"
B	ø25.4	ø38.1
C	120	120

Description	Part Numbers
Clamp 1.0"	8ZVL--0003
Clamp 1.5"	8ZVL--0004

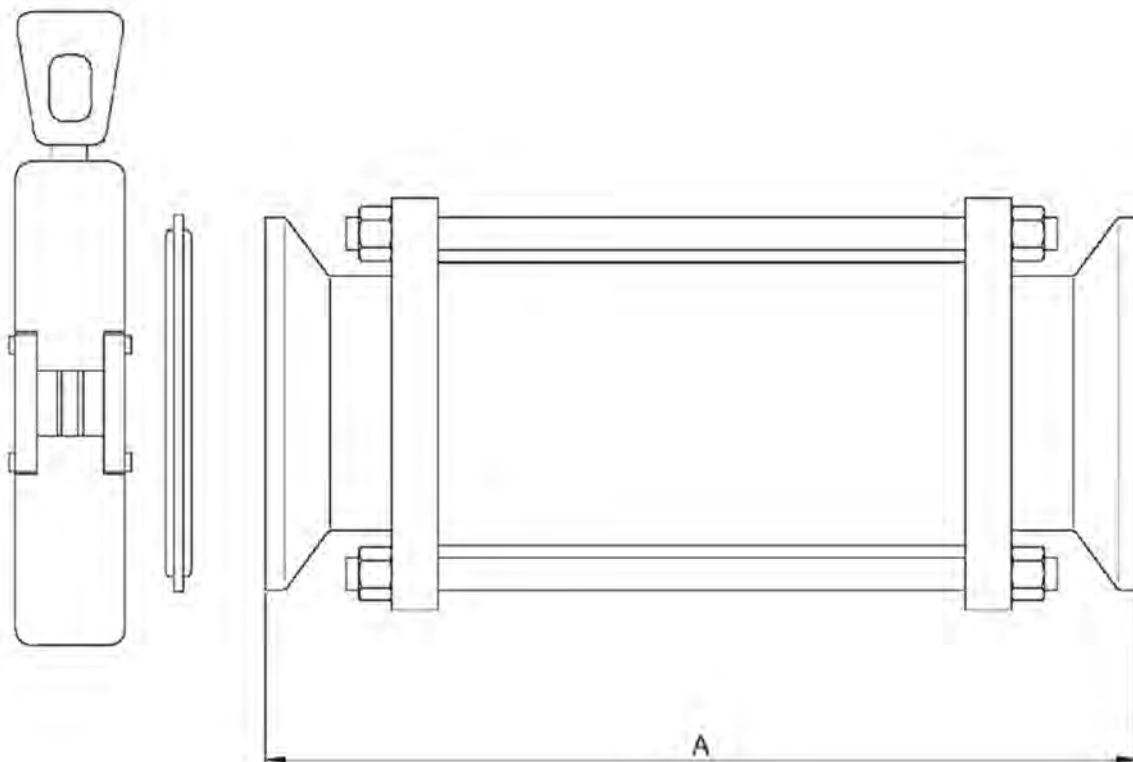
SIGHT GLASS - DIN 11851



TECHNICAL DATA		
DN	316	A
25		157
40		161
50		163
65		169
80		179
100		181

Description	Part Numbers
DN	Material 316
25	8ZML-0014
40	8ZML-0015
50	8ZML-0016
65	8ZML-0017
80	8ZML-0018
100	8ZML-0019

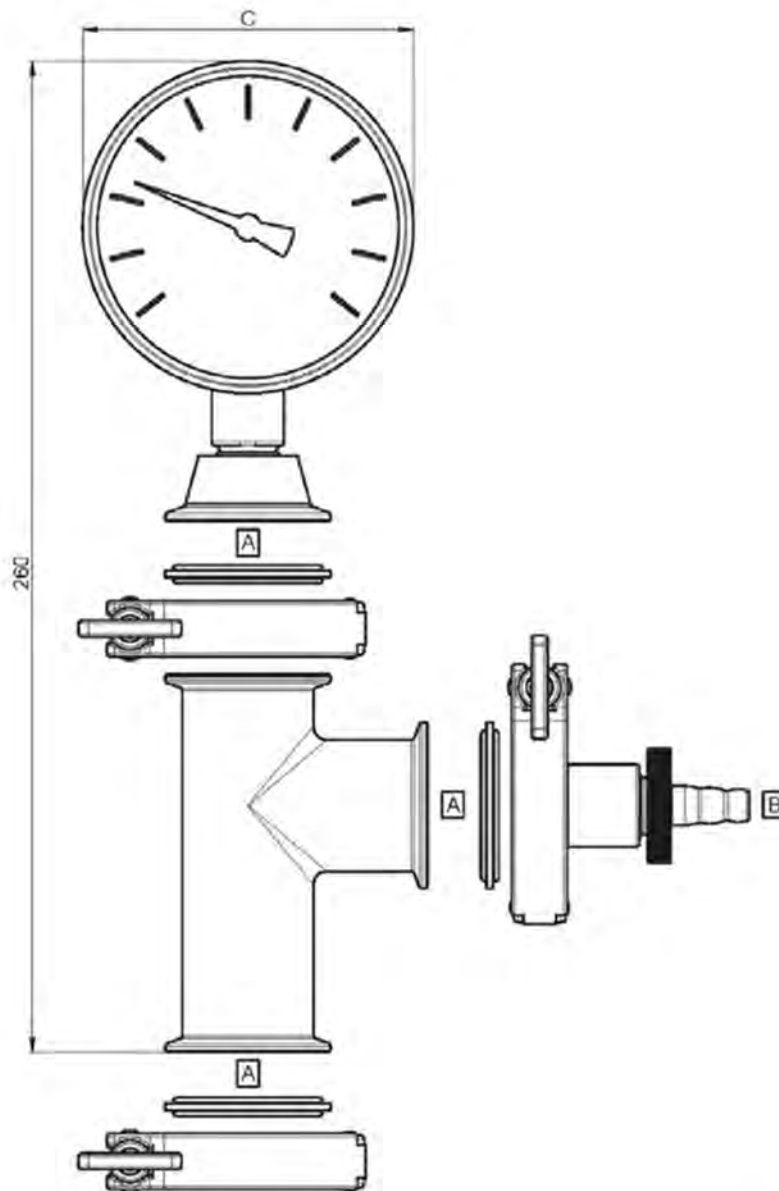
SIGHT GLASS - CALMPS



TECHNICAL DATA			
DN		316	A
1.0"			165
1.5"			165
2.0"			165
2.5"			165
3.0"			165
4.0"			165

Description	Part Numbers
DN	Material 316
1.0"	8ZML-0008
1.5"	8ZML-0009
2.0"	8ZML-0010
2.5"	8ZML-0011
3.0"	8ZML-0012
4.0"	8ZML-0013

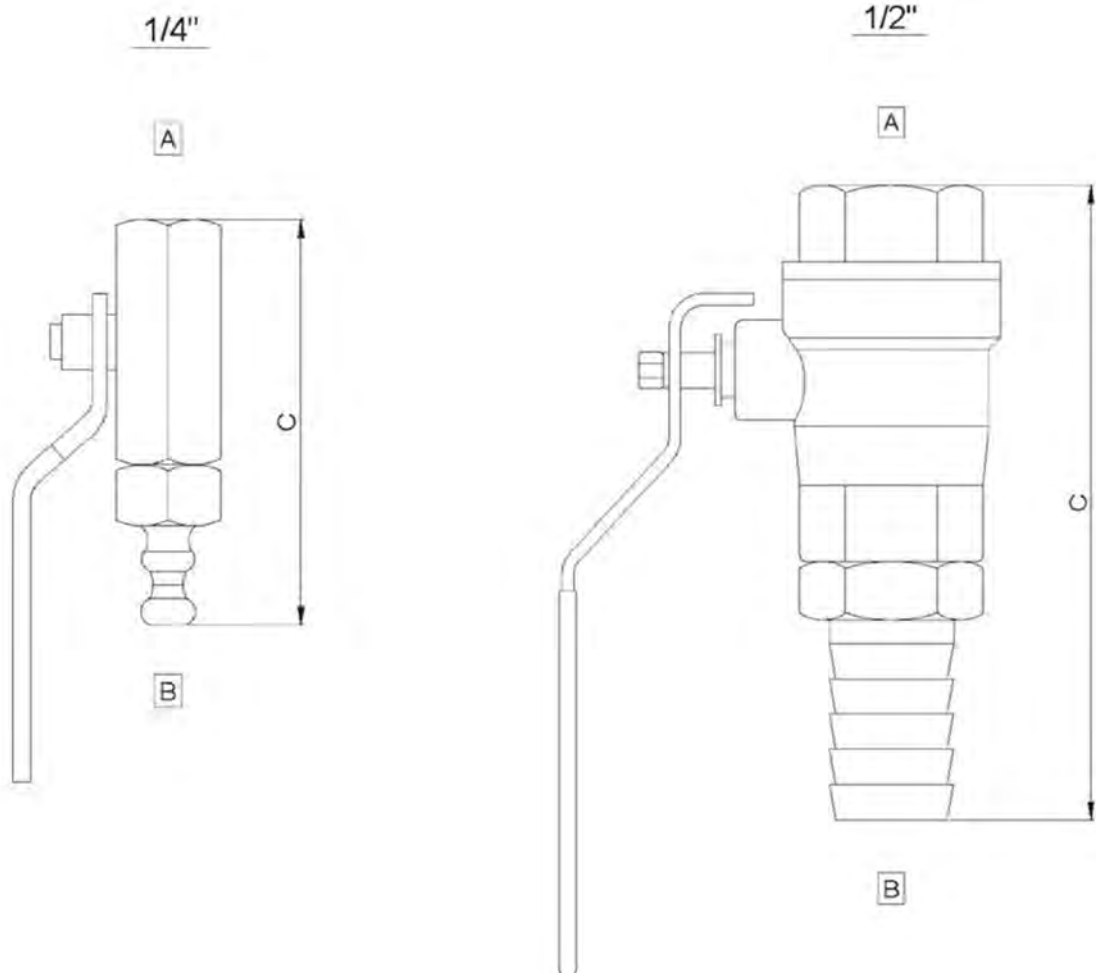
VENT & VALVE CLAMP & DIAPHRAGM PRESSURE GAUGE



TECHNICAL DATA	
MATERIAL	AISI 316L
GASKET MATERIAL	SILICONE
FLUID GROUP	NOT DANGEROUS
PRESSURE GAUGE	ø100, GLICERINE BATH
A	1.5" CLAMP
B	HOSE ADAPTER ø12
C	ø100
CASE FILL	GLICERINE BATH

Description	Part Numbers
0 - 6 bar	8ZML--0020
0 - 10 bar	8ZML--0021

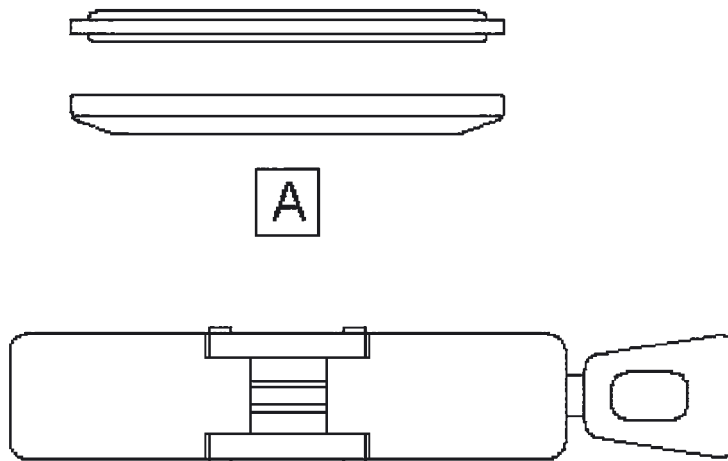
BALL VALVES BSP



TECHNICAL DATA		
MATERIAL	AISI 316L	AISI 316L
A	BSP 1/4" FEMALE PART	BSP 1/2" FEMALE PART
B	HOSE ADAPTER ø9	ø21
C	66	110

Description	Part Numbers
BSP 1/4" Female Part	8ZSL--0006
BSP 1/2" Female Part	8ZSL--0007

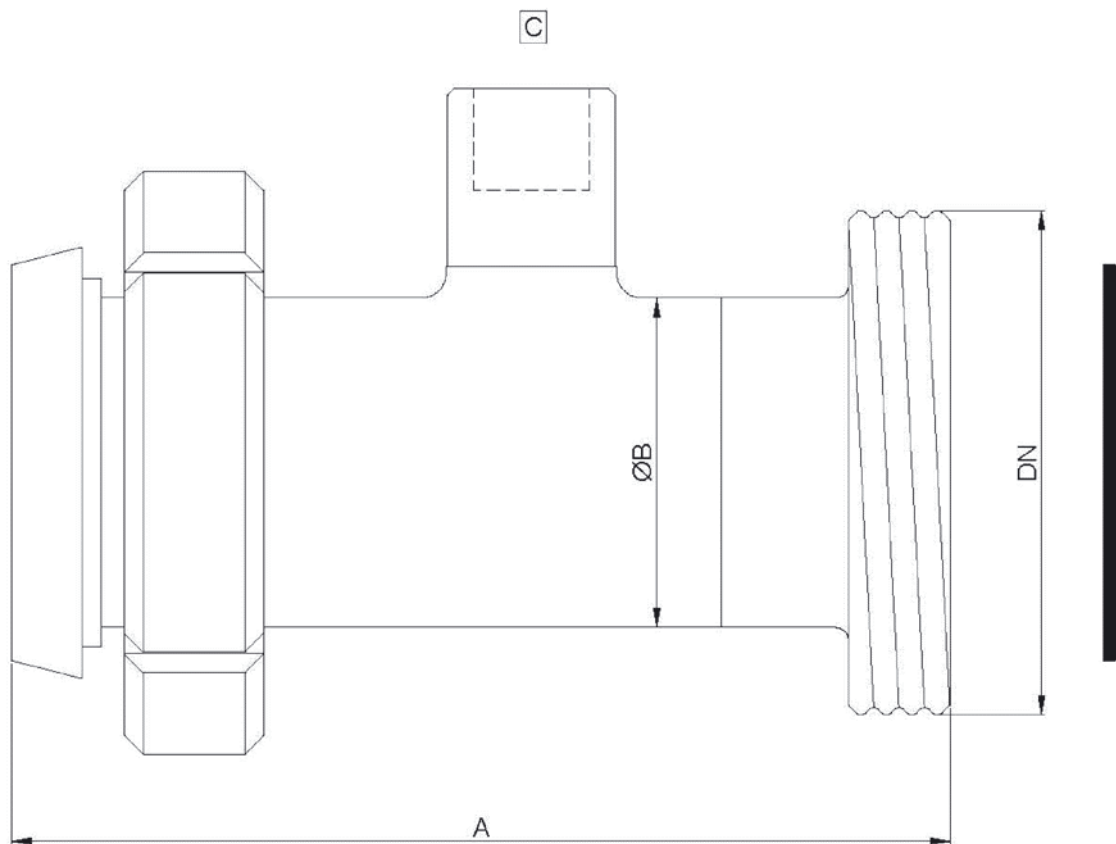
SOLID END CAP & CLAMP & GASKET



TECHNICAL DATA	
MATERIAL	AISI 316L
GASKET MATERIAL	SILICONE
A	1.5" CLAMP

Part Numbers
8ZSL--0008

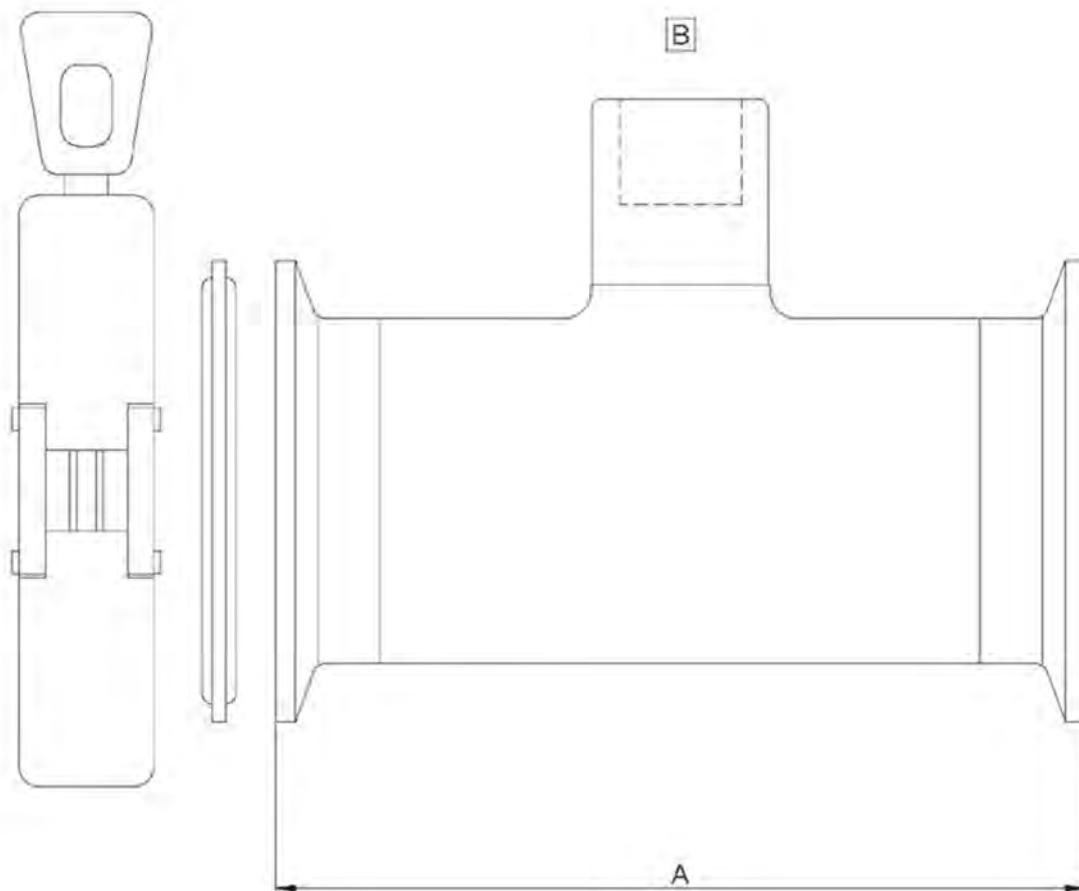
PRESSURE GAUGE HOLDER - DIN 11851



TECHNICAL DATA				
DN	A	ØB	C	MATERIAL
25	161	1.0"	BSP 1/2" FEMALE PART	AISI 316L
40	119	1.5"		
50	123	2.0"		
65	123	2.5"		
80	132	3.0"		
100	158	4.0"		

Description (DN)	Part Numbers
25	8ZML-0022
40	8ZML-0023
50	8ZML-0024
65	8ZML-0025
80	8ZML-0026
100	8ZML-0027

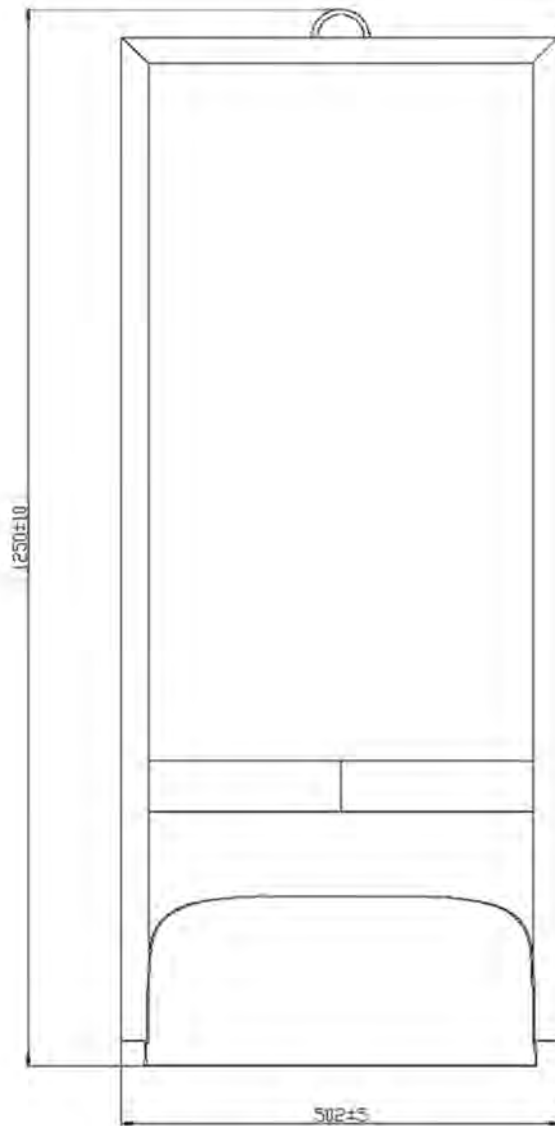
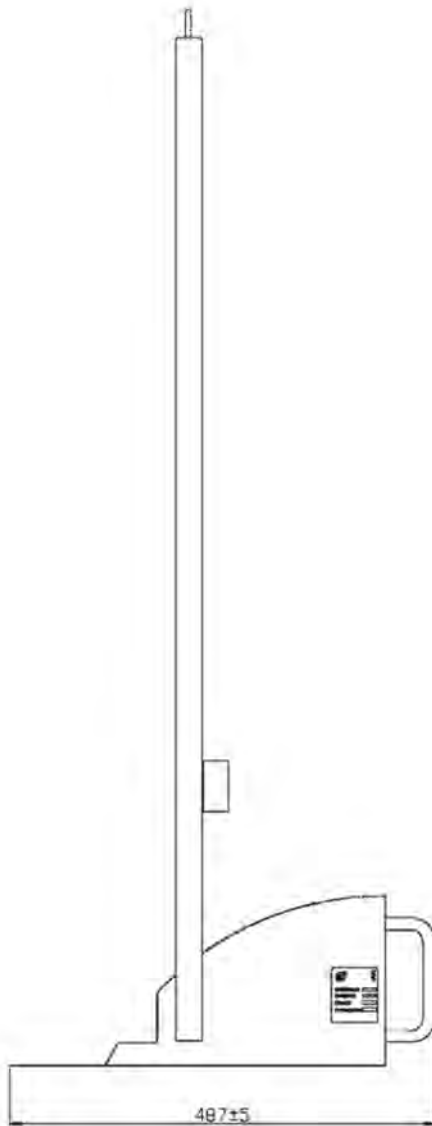
PRESSURE GAUGE HOLDER - CLAMP



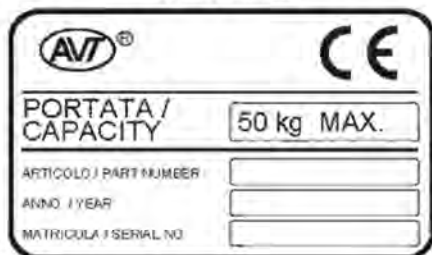
TECHNICAL DATA			
DN	A	B	MATERIAL
1.0"	130	BSP 1/2" FEMALE PART	AISI 316L
1.5"	130		
2.0"	130		
2.5"	155		
3.0"	155		
4.0"	157		

Description (DN)	Part Numbers
1.0"	8ZML-0028
1.5"	8ZML-0029
2.0"	8ZML-0030
2.5"	8ZML-0031
3.0"	8ZML-0032
4.0"	8ZML-0033

MODULE 12" & 16" Lifter



DATA LABEL



Part Numbers

8ZBB-0001

TECHNICAL DATA

MATERIAL	AISI 304
WEIGHT	9 kg
CAPACITY	50 kg MAX.

Sartorius Stedim Biotech GmbH

August-Spindler-Strasse 11
37079 Goettingen, Germany

Phone +49.551.308.0

Fax +49.551.308.3289

www.sartorius-stedim.com

USA Toll-Free +1.800.368.7178

UK +44.1372.737159

France +33.442.845600

Italy +39.055.63.40.41

Spain +34.90.2110935

Russian Federation +7.812.327.5.327

Japan +81.3.4331.4300