



Sartolab RF | BT
Disposable PES
Vacuum Filtration
Units

Sartolab Receiver Flask (RF) Range & Sartolab Bottle Top (BT) Range



Sartolab RF

Sartolab vacuum filtration units

In today's tissue culture laboratory, speed, convenience, sterility assurance and cost effectiveness are the key requirements for busy end users and buyers.

Sartorius Sartolab Receiver Flask (RF) and Bottle Top (BT) disposable vacuum filter systems are the product of choice for filtration of tissue culture media, serum, buffers, antibiotics, vitamin solutions and other aqueous biologicals.

Sartolab RF and BT filter units offer high quality Sartorius PES membranes, combining highest flow-rates and throughput with extremely low protein binding and extractables. Not only is this high performance membrane unique to Sartorius Sartolab products, it is also offered standardly as a 90 mm membrane in all of our 500 ml and 1000 ml bottle top and receiver flask units; guaranteeing faster, higher throughput filtration more cost effectively.

Ready-to-use and easy handling

Pre-sterilized filter units, require only connection to a vacuum source. User-friendly design eliminates mistakes in usage.

Single-unit packaging

Receiver flasks are removable and can be closed for storage with the sterile caps supplied with the units. Bottle tops will fit any 45 mm diameter sterile storage bottle.

Flexible

Sterile filtration of cell culture media, buffers, additives and other aqueous biologicals.

PES Membrane of choice for cell culture

PES membranes combine extremely high flow rates and throughput with low non-specific binding.

Free of cytotoxic effects

Sartolab units are free of cytotoxic effects, they pass all USP and cytotoxicity tests.

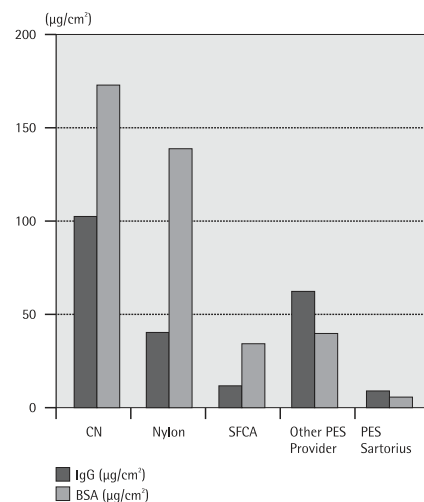
Highest flow rates

The PES membrane in all units and a 90 mm filter diameter in 500 ml and 1000 ml units increase the speed and throughput of filtration.

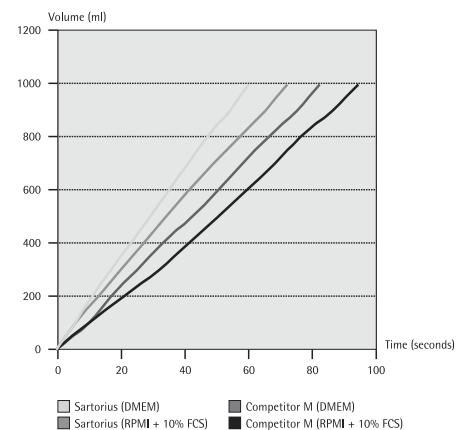


Sartolab BT

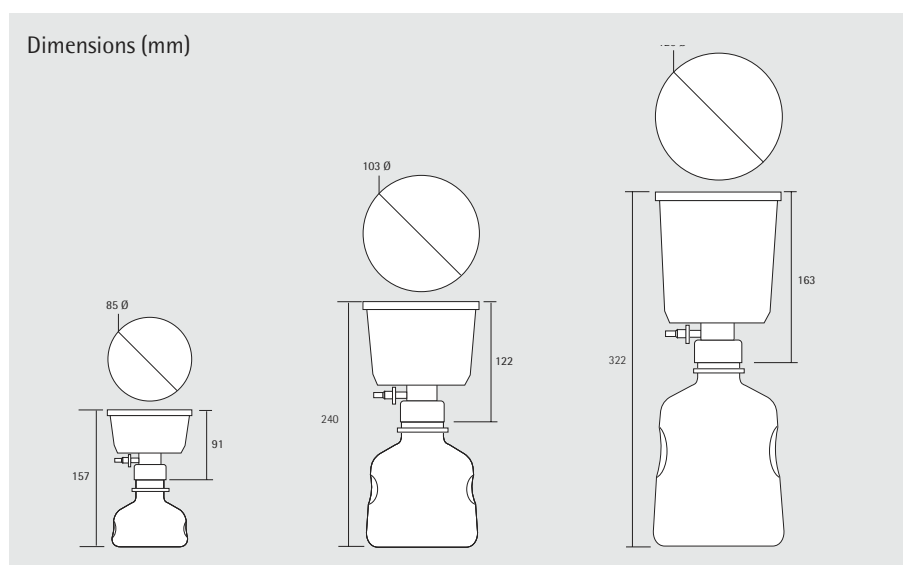
PES Membrane - Low Protein Binding



Highest Flow Rates



Ordering Information



Filter Unit with PES Membrane, Pore size 0.2 μ m

Cat. No.	Volume capacity	PES Membrane diameter	Pack size
18081-E	150 ml	50 mm	12
18082-E	500 ml	90 mm	12
18083-E	1000 ml	90 mm	12

Bottle Top Filter with PES Membrane, Pore size 0.2 μ m

Cat. No.	Volume capacity	PES Membrane diameter	Pack size
18084-E	150 ml	50 mm	12
18085-E	500 ml	90 mm	12
18086-E	1000 ml	90 mm	12

Specifications

Capacity	150 ml, 500 ml, 1000 ml funnel and flask
Membrane	PES (Polyethersulphone) 50 mm and 90 mm diameter 0.2 μ m pore size
Housing	Polystyrene
Connection to vacuum	Plug-on hose nipple
Cytotoxicity	All materials pass USP class VI and cytotoxicity ISO 10993 tests
Neck size bottle top units	45 mm diameter
Sterilization	Gamma radiation