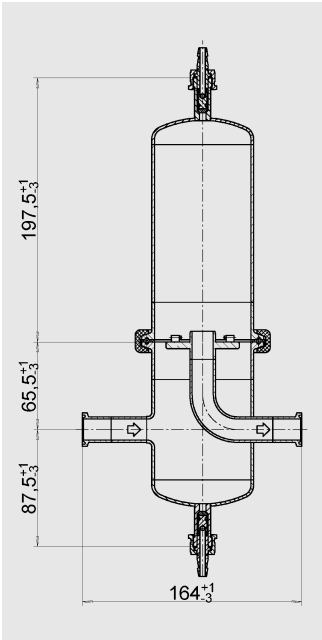


## Housings for Sterile Air Venting and for Air | Gas Filtration



Housing for sterile venting



Housing for pressure gas filtration

### Housing for sterile venting

The cut-outs in the top part of the housing guarantee a good air circulation and ensure the drying-out of the system after vapor deposition (avoidance of condensate formation). The base has a plug for the inner O-ring and a bayonet-lock for a firm hold of the inserted mini cartridges.

### Housing for pressure gas filtration

The bowl accommodates the condensate which can be drained via a pharma-valve. The mini cartridge holder prevents the mini cartridge from contacting condensate water and ensures best vapor deposition conditions. Attachment of the mini cartridges like for the liquid housing, T-type (page 71). The housing follows PED 97/23/EC

Suitable filter cartridges on page 59.

### Specifications for housing for sterile venting

Connector	DN 25 tube joint
Weight	Approx. 700 g
Height	Approx. 186 mm
Material	Stainless steel 1.4571 (= AISI 316)
Max. operating pressure	10 bar (1,000 kPa, 145 psi)
Max. temperature	180°C

### Specifications for housing for pressure gas filtration

Connectors	Clamp 25 mm (sanitary flange)
Width	Approx. 164 mm
Surface roughness	Product contact areas <0.5 µm
Materials	Stainless steel AISI 316L, silicone O-ring
Max. operating pressure	10 bar (1,000 kPa, 145 psi)
Max. temperature	150°C

### Order numbers for housing for sterile venting

350019V15-K025A	Stainless steel mini cartridge housing for the sterile venting of housings and tanks, with DN 25 tube joint and bayonet-lock for the inserted mini cartridge.
-----------------	---

### Order number for housing for pressure gas filtration

7M19LSB00098	Stainless steel mini cartridge housings for air   pressure gas filtration.
--------------	--

Special brochure available on request. Order no. SPG1501-e