

## 25 mm Glass Holder for the Filtration of Small Volumes



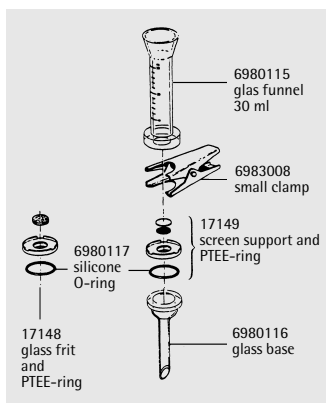
### 25 mm glass holder for hybridisation tests, particle testing and clarification

The two devices differ only in the filter support, the glass frit or the PTFE-coated screen support. The device with glass frit ensures uniform distribution of particles and is therefore recommended, when the retained particles on the filter surface are of interest. The device with a PTFE-coated screen support is, as it is easy to clean, more suitable, when the filtrate is required, or for radiochemical work.

It has a rim around the upper edge, which simplifies the positioning of the membrane filter when inserted, and a silicone ring on the underside for a reliable seal on the filtrate side. The funnel-shaped top part simplifies filling in the sample.



The PTFE ring which holds the glass frit or the screen support allows autoclaving the devices with a filter in position, without stickage of the filter to the support, and also protects the rim of the glass frit from breakage and from potential leakage.



### Specifications

Outlet spout	12 mm Ø
Parts and materials	Borosilicate glass funnel and base. PTFE/glass filter support (type 16306) and PTFE/stainless steel, coated with Teflon (type 16315)
Silicone O-ring	25 × 3 mm
Aluminium clamp	
Chemical compatibility	As for glass, PTFE and silicone.
The silicone O-ring can be replaced by a Viton O-ring, order no. 00118	
Flow rate for water at 90% vacuum	50 ml/min with 0.2 µm 150 ml/min with 0.45 µm 500 ml/min with 0.8 µm membrane filter
Funnel capacity	30 ml
Filtration area	3 cm <sup>2</sup>
Suitable membrane filter diameter	25 mm (or 24 mm)
Sterilization	By autoclaving (max. 134°C) or by dry heat (max. 180°C)

### Order numbers

16306	Glass device for 25 mm membrane filter, with glass frit
16315	Glass device for 25 mm membrane filter, with PTFE-coated screen support

Recommended accessories are described on page 46.  
Replacement parts see diagram.