

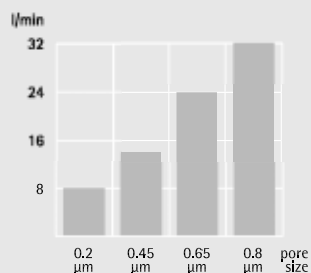
## GMP-complying 293 mm Stainless Steel Holder with Sanitary Flanges



The construction of this holder is the same as this of the 142 mm holder described on page 69, except the legs and the number of locking clamps. The three legs are made of stainless steel, too, in order to avoid corrosion problems, as it is sometimes the case with aluminium legs. They are shorter and screwed in vertically to give a very stable footing to the holder with this larger diameter. The swing-out mechanism of the locking clamps is very practical, as there are 6 clamps.

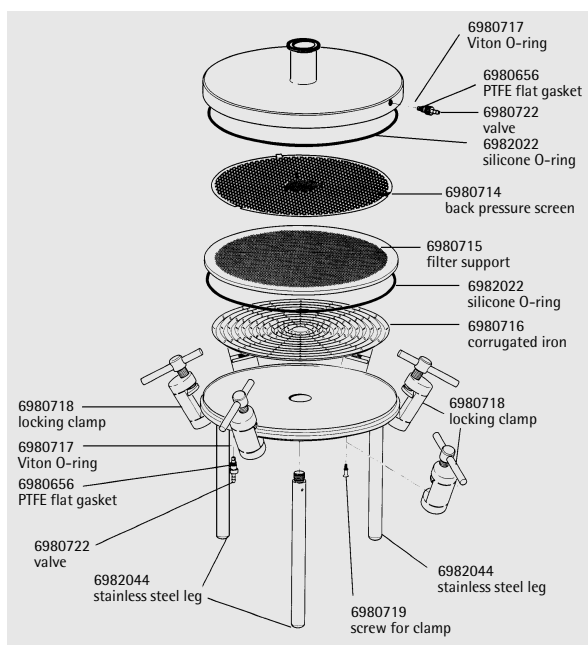
The holder offers the same advantages for the user as the 142 mm holder, but it has a four times larger filtration area and correspondingly higher flow rates and standing time. The filter support is designed for the maximum exploitation of the filter area and the minimum flow resistance, as it is confirmed by the steady increase of flow rates with increasing pore sizes (see diagram).

Flow rate for water at 1 bar pressure



### Specifications for the 293 mm sanitary flange holder

Dimensions	Max. height 331 mm, width 416.5 mm
Chemical compatibility	As for stainless steel, PTFE, silicone and Viton. If required, the silicone O-rings can be replaced by EPDM O-rings (order no. 6982077), Viton O-rings (6982078) or PTFE O-rings (6982079, reduce the max. operating pressure to 4 bar, 58 psi), and the Viton valve O-rings by EPDM O-rings (6985184) or silicone O-rings (6985183).
Flow rate	For water at $\Delta p = 1$ bar (100 kPa, 14.5 psi), 8 l/min with 0.2 µm, 14 l/min with 0.45 µm, 32 l/min with 0.8 µm pore size.
Filtration area	560 cm <sup>2</sup>
Weight	20 kg
Materials	Top part, base, corrugated iron, locking clamps, stainless steel legs and valve body 1.4401 (AISI 316). PTFE-coated stainless steel filter support and back pressure screen. Silicone O-rings (280×4 mm) in the top part and filter support. Viton valve O-rings (3×1.5 mm). PTFE valve flat gasket
Max. operating pressure	5 bar (500 kPa)
Suitable membrane filter diameter	293 mm (prefilter, 279 mm)
Sterilization	By autoclaving (max 134°C) or by dry heat (180°C)



### Order number for the 293 mm sanitary flange filter holder

16277 293 mm stainless steel pressure filter holder for in-line installation, GMP-complying, with Sanitary flange inlet and outlet.

Recommended accessories are described on page 72. Replacement parts are shown in the diagram.